

Current-Limited, Power-Distribution Switches

Check for Samples: [TPS20xxC](#)

FEATURES

- Single Power Switch Family
- Pin for Pin with Existing *TI Switch Portfolio*
- Rated currents of 0.5 A, 1 A, 1.5 A, 2 A
- $\pm 20\%$ Accurate, Fixed, Constant Current Limit
- Fast Over-Current Response – 2 μs
- Deglitched Fault Reporting
- Output Discharge When Disabled
- Reverse Current Blocking
- Built-in Softstart
- Ambient Temperature Range: -40°C to 85°C

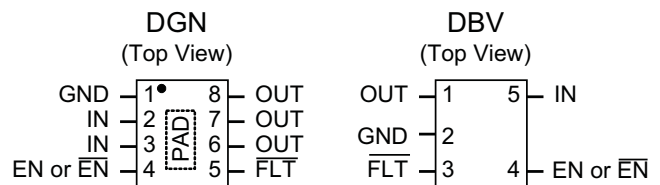
APPLICATIONS

- USB Ports/Hubs, Laptops, Desktops
- High-Definition Digital TVs
- Set Top Boxes
- Short-Circuit Protection

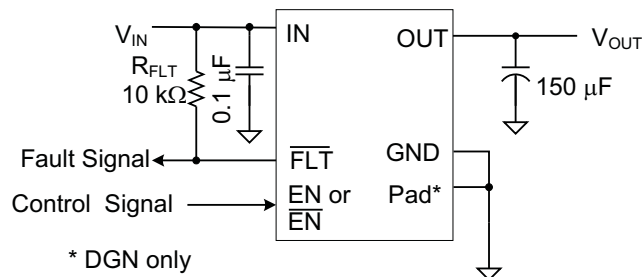
DESCRIPTION

The TPS20xxC power-distribution switch family is intended for applications such as USB where heavy capacitive loads and short-circuits are likely to be encountered. This family offers multiple devices with fixed current-limit thresholds for applications between 0.5 A and 2 A.

The TPS20xxC family limits the output current to a safe level by operating in a constant-current mode when the output load exceeds the current-limit threshold. This provides a predictable fault current under all conditions. The fast overload response time eases the burden on the main 5 V supply to provide regulated power when the output is shorted. The power-switch rise and fall times are controlled to minimize current surges during turn-on and turn-off.



TYPICAL APPLICATION


Figure 1. Typical Application
Table 1. DEVICES⁽¹⁾

| MAXIMUM OPERATING CURRENT | DEVICES | STATUS | |
|---------------------------|---------------|--------------------------------|---------|
| | | MSOP-8 (PowerPad) [™] | SOT23-5 |
| 0.5 | TPS2051C | - | Preview |
| 1 | TPS2065C | Active | Preview |
| 1.5 | TPS2069C | Active | - |
| 2 | TPS2000C / 1C | Active | - |

(1) For more details, see the [DEVICE INFORMATION](#) table.



Please be aware that an important notice concerning availability, standard warranty, and use in critical applications of Texas Instruments semiconductor products and disclaimers thereto appears at the end of this data sheet.

PowerPAD is a trademark of Texas Instruments.
is a trademark of ~ Texas Instruments.

TPS20xxC

SLVSAU6A–JUNE 2011–REVISED JULY 2011

www.ti.com



This integrated circuit can be damaged by ESD. Texas Instruments recommends that all integrated circuits be handled with appropriate precautions. Failure to observe proper handling and installation procedures can cause damage.

ESD damage can range from subtle performance degradation to complete device failure. Precision integrated circuits may be more susceptible to damage because very small parametric changes could cause the device not to meet its published specifications.

DEVICE INFORMATION⁽¹⁾

| MAXIMUM OPERATING CURRENT | OUTPUT DISCHARGE | ENABLE | BASE PART NUMBER | PACKAGED DEVICE ⁽²⁾ | | MARKING |
|---------------------------|------------------|--------|------------------|--------------------------------|---------------|---------|
| | | | | MSOP-8 (DGN) PowerPAD™ | SOT23-5 (DBV) | |
| 0.5 | Y | High | TPS2051C | – | √ | VBYQ |
| 1 | Y | High | TPS2065C | √ | √ | VCAQ |
| 1.5 | Y | High | TPS2069C | √ | – | VBUQ |
| 2 | Y | Low | TPS2000C | √ | – | BCMS |
| 2 | Y | High | TPS2001C | √ | – | VBWQ |

(1) For the most current packaging and ordering information, see the Package Option Addendum at the end of this document, or see the TI website at www.ti.com.

(2) "–" indicates the device is not available in this package.

ABSOLUTE MAXIMUM RATINGS⁽¹⁾⁽²⁾

| | | VALUE | | UNIT |
|---|---|--------------------|-----|------|
| | | MIN | MAX | |
| Voltage range on IN, OUT, EN or $\overline{\text{EN}}$, $\overline{\text{FLT}}$ ⁽³⁾ | | –0.3 | 6 | V |
| Voltage range from IN to OUT | | –6 | 6 | V |
| Maximum junction temperature, T _J | | Internally Limited | | |
| Electrostatic Discharge | HBM | 2 | | kV |
| | CDM | 500 | | V |
| | IEC 61000-4-2, Contact / Air ⁽⁴⁾ | 8 | 15 | kV |

(1) Absolute maximum ratings apply over recommended junction temperature range.

(2) Voltages are with respect to GND unless otherwise noted.

(3) See the [Input and Output Capacitance](#) section.

(4) V_{OUT} was surged on a pcb with input and output bypassing per [Figure 1](#) (except input capacitor was 22 μF) with no device failures.

THERMAL INFORMATION

| THERMAL METRIC ⁽¹⁾ (See DEVICE INFORMATION table.) | | 0.5 A or 1 A Rated | 1.5 A or 2 A Rated | 0.5 A or 1 A Rated | 1.5 A or 2 A Rated | UNITS |
|--|--|--------------------|--------------------|--------------------|--------------------|-------|
| | | DBV | DBV | DGN | DGN | |
| | | 5 PINS | 5 PINS | 8 PINS | 8 PINS | |
| θ _{JA} | Junction-to-ambient thermal resistance | 224.9 | 220.4 | 72.1 | 67.1 | °C/W |
| θ _{JCtop} | Junction-to-case (top) thermal resistance | 95.2 | 89.7 | 87.3 | 80.8 | |
| θ _{JB} | Junction-to-board thermal resistance | 51.4 | 46.9 | 42.2 | 37.2 | |
| ψ _{JT} | Junction-to-top characterization parameter | 6.6 | 5.2 | 7.3 | 5.6 | |
| ψ _{JB} | Junction-to-board characterization parameter | 50.3 | 46.2 | 42.0 | 36.9 | |
| θ _{JCbot} | Junction-to-case (bottom) thermal resistance | N/A | N/A | 39.2 | 32.1 | |
| θ _{JACustom} | See the Power Dissipation and Junction Temperature section | 139.3 | 134.9 | 66.5 | 61.3 | |

(1) For more information about traditional and new thermal metrics, see the *IC Package Thermal Metrics* application report, [SPRA953](#).

RECOMMENDED OPERATING CONDITIONS

| | | MIN | NOM | MAX | UNIT |
|----------------------|--------------------------------------|--------------|-----|-----|------|
| V_{IN} | Input voltage, IN | 4.5 | | 5.5 | V |
| V_{EN} | Input voltage, EN or \overline{EN} | 0 | | 5.5 | V |
| I_{OUT} | Continuous output current, OUT | TPS2051C | | 0.5 | A |
| | | TPS2065C | | 1 | |
| | | TPS2069C | | 1.5 | |
| | | TPS2000C/01C | | 2 | |
| T_J | Operating junction temperature | -40 | | 125 | °C |
| $I_{\overline{FLT}}$ | Sink current into \overline{FLT} | 0 | | 5 | mA |

ELECTRICAL CHARACTERISTICS: $T_J = T_A = 25^\circ\text{C}^{(1)}$

Unless otherwise noted:, $V_{IN} = 5\text{ V}$, $V_{EN} = V_{IN}$ or $V_{\overline{EN}} = \text{GND}$, $I_{OUT} = 0\text{ A}$. See the DEVICE INFORMATION table for the rated current of each part number. Parametrics over a wider operational range are shown in the second ELECTRICAL CHARACTERISTICS table.

| PARAMETER | | TEST CONDITIONS ⁽¹⁾ | | MIN | TYP | MAX | UNIT |
|---|---|---|-----|------|------|------|------|
| POWER SWITCH | | | | | | | |
| $R_{DS(ON)}$ | Input – output resistance | 0.5 A rated output, 25°C | DBV | | 97 | 110 | mΩ |
| | | 0.5 A rated output, -40°C ≤ (T _J , T _A) ≤ 85°C | DBV | | 96 | 130 | mΩ |
| | | 1 A rated output, 25°C | DBV | | 96 | 110 | mΩ |
| | | | DGN | | 86 | 100 | |
| | | 1 A rated output, -40°C ≤ (T _J , T _A) ≤ 85°C | DBV | | 96 | 130 | mΩ |
| | | | DGN | | 86 | 120 | |
| | | 1.5 A rated output, 25°C | DGN | | 69 | 84 | mΩ |
| | | 1.5 A rated output, -40°C ≤ (T _J , T _A) ≤ 85°C | DGN | | 69 | 98 | mΩ |
| 2 A rated output, 25°C | DGN | | 72 | 84 | mΩ | | |
| 2 A rated output, -40°C ≤ (T _J , T _A) ≤ 85°C | DGN | | 72 | 98 | mΩ | | |
| CURRENT LIMIT | | | | | | | |
| $I_{OS}^{(2)}$ | Current-limit, See Figure 7 | 0.5A rated output | | 0.67 | 0.85 | 1.01 | A |
| | | 1 A rated output | | 1.3 | 1.55 | 1.8 | |
| | | 1.5 A rated output | | 1.7 | 2.15 | 2.5 | |
| | | 2 A rated output | | 2.35 | 2.9 | 3.4 | |
| SUPPLY CURRENT | | | | | | | |
| I_{SD} | Supply current, switch disabled | | | | 0.01 | 1 | μA |
| | | -40°C ≤ (T _J , T _A) ≤ 85°C, V _{IN} = 5.5 V | | | | 2 | |
| I_{SE} | Supply current, switch enabled | | | | 60 | 70 | μA |
| | | -40°C ≤ (T _J , T _A) ≤ 85°C, V _{IN} = 5.5 V | | | | 85 | |
| I_{REV} | Reverse leakage current | V _{OUT} = 5 V, V _{IN} = 0 V, measure I _{VOUT} | | | 0.1 | 1 | μA |
| | | -40°C ≤ (T _J , T _A) ≤ 85°C, V _{OUT} = 5 V, V _{IN} = 0 V, measure I _{VOUT} | | | | 5 | |
| OUTPUT DISCHARGE | | | | | | | |
| R_{PD} | Output pull-down resistance ⁽³⁾ | V _{IN} = V _{OUT} = 5 V, disabled | | 400 | 470 | 600 | Ω |

(1) Pulsed testing techniques maintain junction temperature approximately equal to ambient temperature

(2) See [CURRENT LIMIT](#) section for explanation of this parameter.

(3) These parameters are provided for reference only, and do not constitute part of TI's published device specifications for purposes of TI's product warranty.

TPS20xxC

SLVSAU6A–JUNE 2011–REVISED JULY 2011

www.ti.com
ELECTRICAL CHARACTERISTICS: $-40^{\circ}\text{C} \leq T_J \leq 125^{\circ}\text{C}$

 Unless otherwise noted: $4.5\text{ V} \leq V_{\text{IN}} \leq 5.5\text{ V}$, $V_{\text{EN}} = V_{\text{IN}}$ or $V_{\text{EN}} = \text{GND}$, $I_{\text{OUT}} = 0\text{ A}$, typical values are at 5 V and 25°C . See the DEVICE INFORMATION table for the rated current of each part number.

| PARAMETER | | TEST CONDITIONS ⁽¹⁾ | | MIN | TYP | MAX | UNIT |
|---|---|--|-----|------|------|------|------|
| POWER SWITCH | | | | | | | |
| $R_{\text{DS(ON)}}$ | Input – output resistance | 0.5 A rated output | DBV | | 97 | 154 | mΩ |
| | | 1 A rated output | DBV | | 96 | 154 | mΩ |
| | | | DGN | | 86 | 140 | |
| | | 1.5 A rated output | DGN | | 69 | 112 | mΩ |
| | | 2 A rated output | DGN | | 72 | 112 | mΩ |
| ENABLE INPUT (EN or $\overline{\text{EN}}$) | | | | | | | |
| | Threshold | Input rising | | 1 | 1.45 | 2 | V |
| | Hysteresis | | | 0.07 | 0.13 | 0.20 | V |
| | Leakage current | $(V_{\text{EN}}$ or $V_{\overline{\text{EN}}}) = 0\text{ V}$ or 5.5 V | | -1 | 0 | 1 | μA |
| t_{ON} | Turnon time | $V_{\text{IN}} = 5\text{ V}$, $C_L = 1\text{ μF}$, $R_L = 100\text{ Ω}$, EN ↑ or $\overline{\text{EN}}$ ↓. See Figure 2 , Figure 4 , and Figure 5 | | | | | ms |
| | | 0.5 A / 1 A Rated | | 1 | 1.4 | 1.8 | |
| | | 1.5 A / 2 A Rated | | 1.2 | 1.7 | 2.2 | |
| t_{OFF} | Turnoff time | $V_{\text{IN}} = 5\text{ V}$, $C_L = 1\text{ μF}$, $R_L = 100\text{ Ω}$, EN ↓ or $\overline{\text{EN}}$ ↑. See Figure 2 , Figure 4 , and Figure 5 | | | | | ms |
| | | 0.5 A and 1 A Rated | | 1.3 | 1.65 | 2 | |
| | | 1.5 A / 2 A Rated | | 1.7 | 2.1 | 2.5 | |
| t_{R} | Rise time, output | $C_L = 1\text{ μF}$, $R_L = 100\text{ Ω}$, $V_{\text{IN}} = 5\text{ V}$. See Figure 3 | | | | | ms |
| | | 0.5 A / 1 A Rated | | 0.4 | 0.55 | 0.7 | |
| | | 1.5 A / 2 A Rated | | 0.5 | 0.7 | 1.0 | |
| t_{F} | Fall time, output | $C_L = 1\text{ μF}$, $R_L = 100\text{ Ω}$, $V_{\text{IN}} = 5\text{ V}$. See Figure 3 | | | | | ms |
| | | 0.5 A / 1 A Rated | | 0.25 | 0.35 | 0.45 | |
| | | 1.5 A / 2 A Rated | | 0.3 | 0.43 | 0.55 | |
| CURRENT LIMIT | | | | | | | |
| $I_{\text{OS}}^{(2)}$ | Current-limit, See Figure 8 | 0.5 A rated output | | 0.65 | 0.85 | 1.05 | A |
| | | 1 A rated output | | 1.2 | 1.55 | 1.9 | |
| | | 1.5 A rated output | | 1.6 | 2.15 | 2.7 | |
| | | 2 A rated output | | 2.3 | 2.9 | 3.6 | |
| t_{IOS} | Short-circuit response time ⁽³⁾ | $V_{\text{IN}} = 5\text{ V}$ (see Figure 7), One-half full load → $R_{\text{SHORT}} = 50\text{ mΩ}$, Measure from application to when current falls below 120% of final value | | | 2 | | μs |
| SUPPLY CURRENT | | | | | | | |
| I_{SD} | Supply current, switch disabled | | | | 0.01 | 10 | μA |
| I_{SE} | Supply current, switch enabled | | | | 65 | 90 | μA |
| I_{REV} | Reverse leakage current | $V_{\text{OUT}} = 5.5\text{ V}$, $V_{\text{IN}} = 0\text{ V}$, Measure I_{VOUT} | | | 0.2 | 20 | μA |
| UNDERVOLTAGE LOCKOUT | | | | | | | |
| V_{UVLO} | Rising threshold | $V_{\text{IN}} \uparrow$ | | 3.5 | 3.75 | 4 | V |
| | Hysteresis ⁽³⁾ | $V_{\text{IN}} \downarrow$ | | | 0.14 | | V |

(1) Pulsed testing techniques maintain junction temperature approximately equal to ambient temperature

 (2) See [CURRENT LIMIT](#) section for explanation of this parameter.

(3) These parameters are provided for reference only, and do not constitute part of TI's published device specifications for purposes of TI's product warranty.

ELECTRICAL CHARACTERISTICS: $-40^{\circ}\text{C} \leq T_J \leq 125^{\circ}\text{C}$ (continued)

Unless otherwise noted: $4.5\text{ V} \leq V_{IN} \leq 5.5\text{ V}$, $V_{EN} = V_{IN}$ or $V_{EN} = \text{GND}$, $I_{OUT} = 0\text{ A}$, typical values are at 5 V and 25°C . See the DEVICE INFORMATION table for the rated current of each part number.

| PARAMETER | TEST CONDITIONS ⁽¹⁾ | MIN | TYP | MAX | UNIT |
|--|---|-----|-----|------|--------------------|
| FLT | | | | | |
| Output low voltage, $\overline{\text{FLT}}$ | $I_{\overline{\text{FLT}}} = 1\text{ mA}$ | | | 0.2 | V |
| Off-state leakage | $V_{\overline{\text{FLT}}} = 5.5\text{ V}$ | | | 1 | μA |
| $t_{\overline{\text{FLT}}}$ $\overline{\text{FLT}}$ deglitch | $\overline{\text{FLT}}$ assertion/deassertion deglitch | 6 | 9 | 12 | ms |
| OUTPUT DISCHARGE | | | | | |
| R_{PD} Output pull-down resistance | $V_{IN} = 4\text{ V}$, $V_{OUT} = 5.0\text{ V}$, disabled | 350 | 560 | 1200 | Ω |
| | $V_{IN} = 5\text{ V}$, $V_{OUT} = 5.0\text{ V}$, disabled | 300 | 470 | 800 | |
| THERMAL SHUTDOWN | | | | | |
| Rising threshold (T_J) | In current limit | 135 | | | $^{\circ}\text{C}$ |
| | Not in current limit | 155 | | | |
| Hysteresis ⁽⁴⁾ | | | 20 | | |

(4) These parameters are provided for reference only, and do not constitute part of TI's published device specifications for purposes of TI's product warranty.

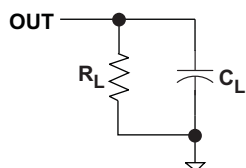


Figure 2. Output Rise / Fall Test Load

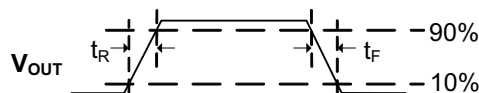


Figure 3. Power-On and Off Timing

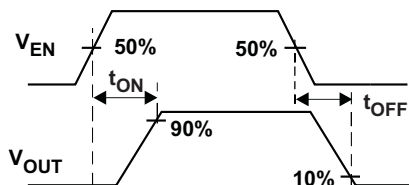


Figure 4. Enable Timing, Active High Enable

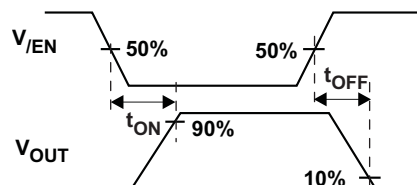


Figure 5. Enable Timing, Active Low Enable

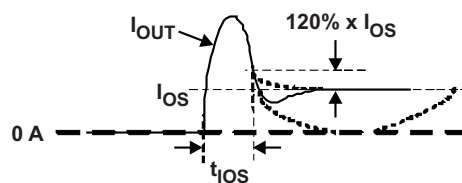


Figure 6. Output Short Circuit Parameters

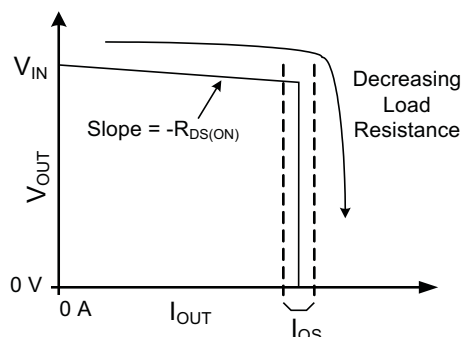


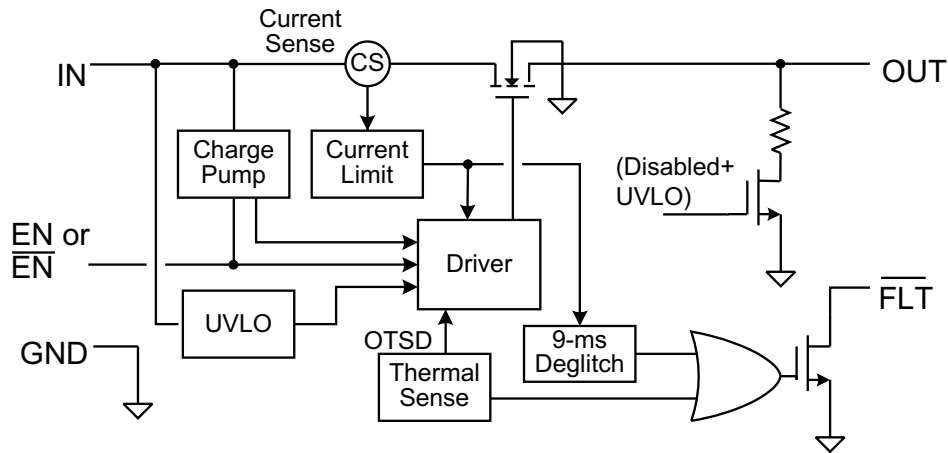
Figure 7. Output Characteristic Showing Current Limit

TPS20xxC

SLVSAU6A–JUNE 2011–REVISED JULY 2011

www.ti.com

FUNCTIONAL BLOCK DIAGRAM

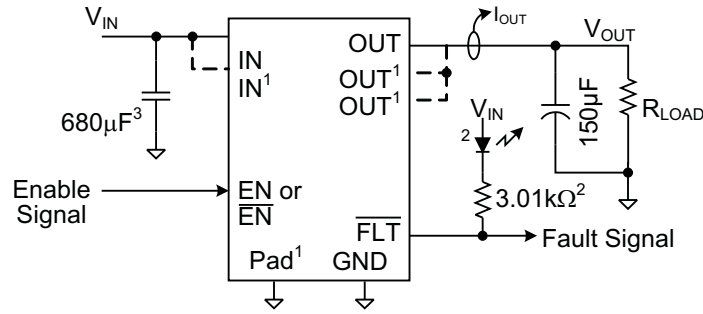


DEVICE INFORMATION

PIN FUNCTIONS

| NAME | PINS | DESCRIPTION |
|------------------------------|---------|---|
| 8-PIN PACKAGE | | |
| EN or $\overline{\text{EN}}$ | 4 | Enable input, logic high turns on power switch |
| GND | 1 | Ground connection |
| IN | 2, 3 | Input voltage and power-switch drain; connect a 0.1 μF or greater ceramic capacitor from IN to GND close to the IC |
| $\overline{\text{FLT}}$ | 5 | Active-low open-drain output, asserted during over-current, or over-temperature conditions |
| OUT | 6, 7, 8 | Power-switch output, connect to load |
| PowerPAD (DGN ONLY) | PAD | Internally connected to GND. Connect PAD to GND plane as a heatsink for the best thermal performance. PAD may be left floating if desired. See POWER DISSIPATION AND JUNCTION TEMPERATURE section for guidance. |
| 5-PIN PACKAGE | | |
| EN or $\overline{\text{EN}}$ | 4 | Enable input, logic high turns on power switch |
| GND | 2 | Ground connection |
| IN | 5 | Input voltage and power-switch drain; connect a 0.1 μF or greater ceramic capacitor from IN to GND close to the IC |
| $\overline{\text{FLT}}$ | 3 | Active-low open-drain output, asserted during over-current, or over-temperature conditions |
| OUT | 1 | Power-switch output, connect to load. |

TYPICAL CHARACTERISTICS



- (1) Not every package has all pins
- (2) These parts are for test purposes
- (3) Helps with output shorting tests when external supply is used.

Figure 8. Test Circuit for System Operation in Typical Characteristics Section

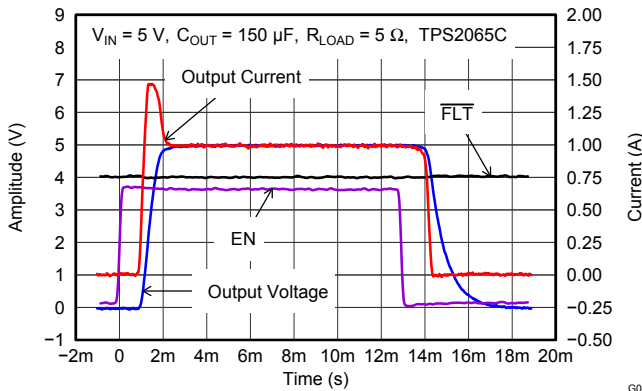


Figure 9. TPS2065C Output Rise / Fall 5Ω

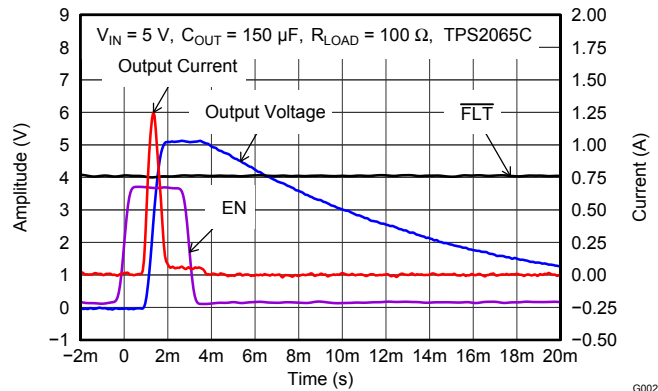


Figure 10. TPS2065C Output Rise / Fall 100Ω

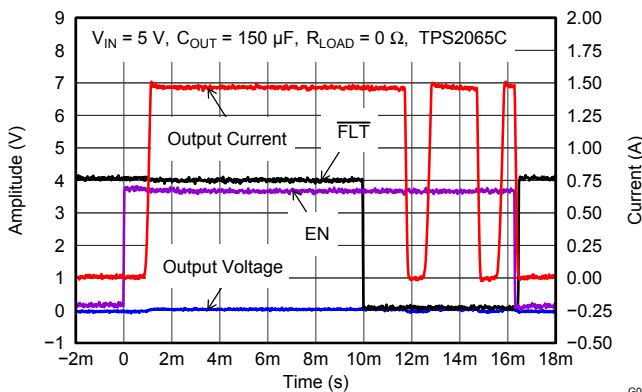


Figure 11. TPS2065C Enable into Output Short

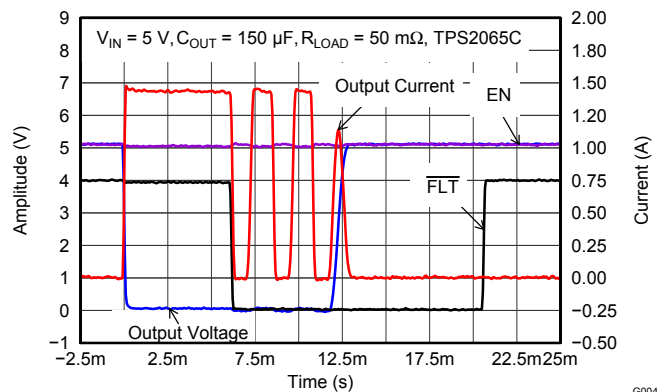


Figure 12. TPS2065C Pulsed Short Applied

TYPICAL CHARACTERISTICS (continued)

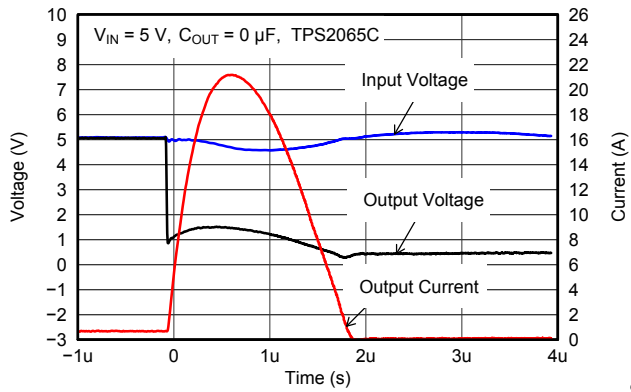


Figure 13. TPS2065C Short Applied

G005

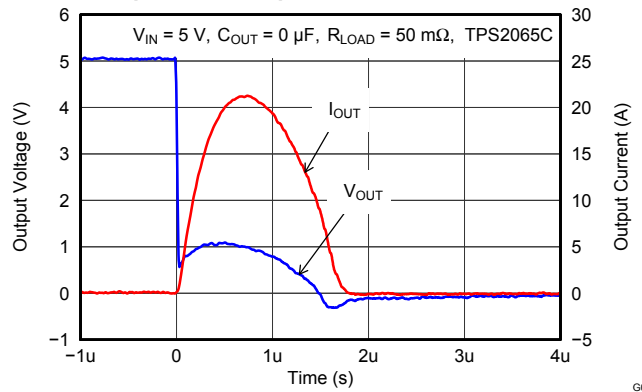


Figure 14. TPS2065C Pulsed 1.45-A Load

G006

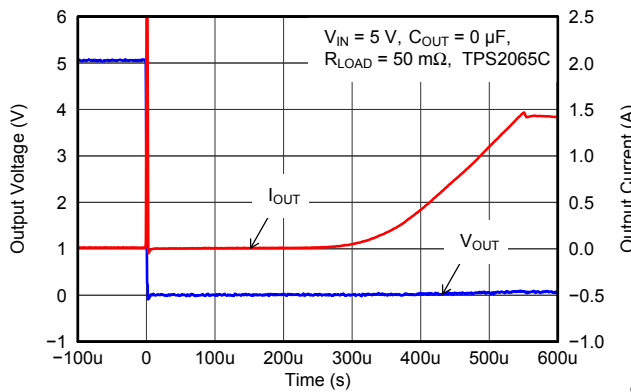


Figure 15. NEW FIG

G007

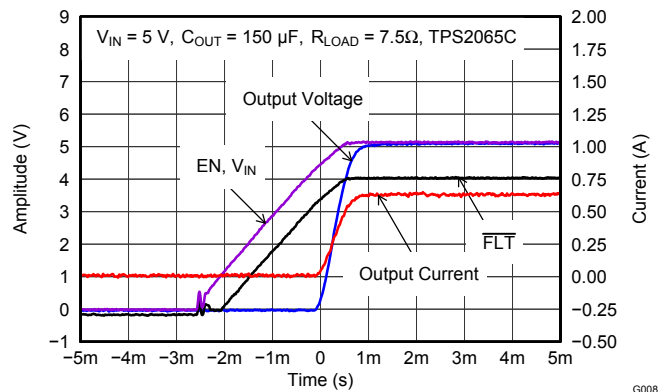


Figure 16. TPS2065C Power Up - Enabled

G008

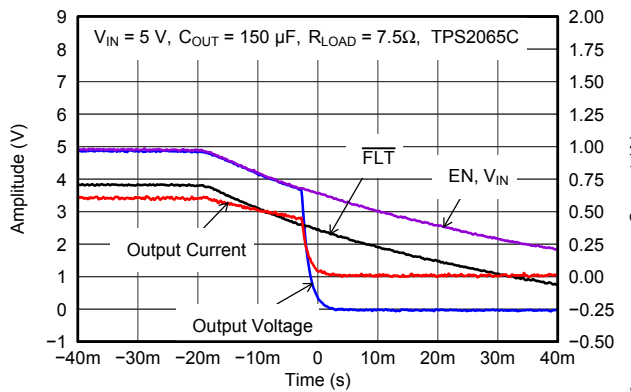


Figure 17. TPS2065C Power Down - Enabled

G009

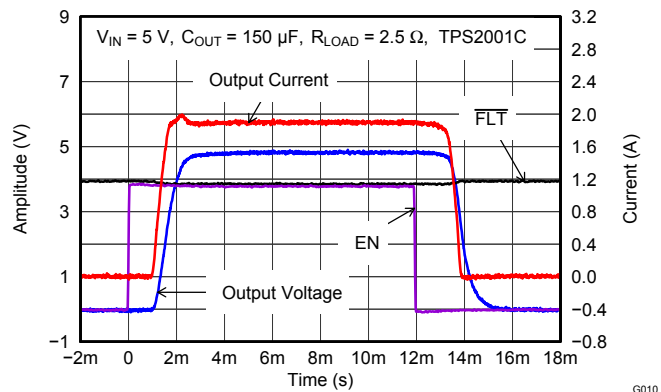


Figure 18. TPS2001C Turn ON into 2.5Ω

G010

TYPICAL CHARACTERISTICS (continued)

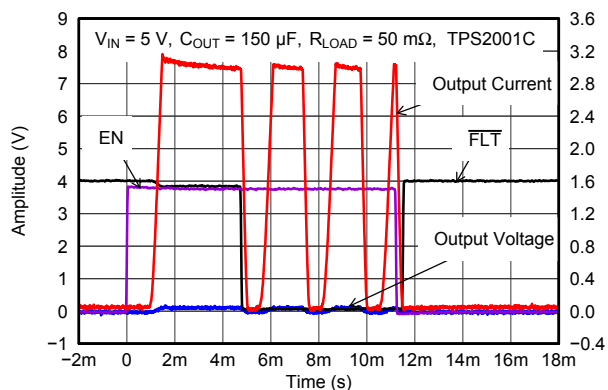


Figure 19. TPS2001C Enable into Short

G011

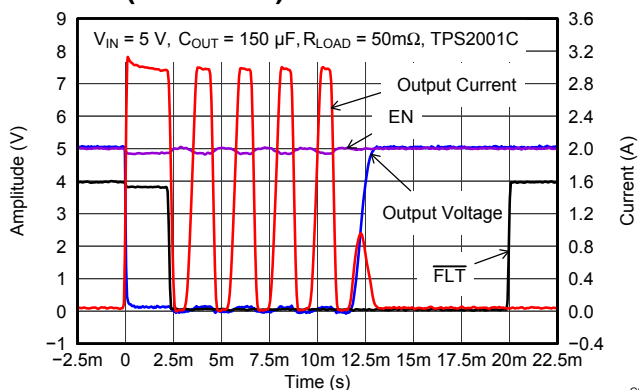


Figure 20. TPS2001C Pulsed Output Short

G012

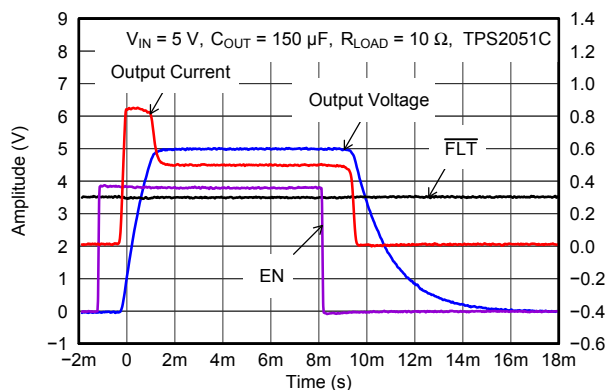


Figure 21. TPS2051C Turn ON into 10Ω

G013

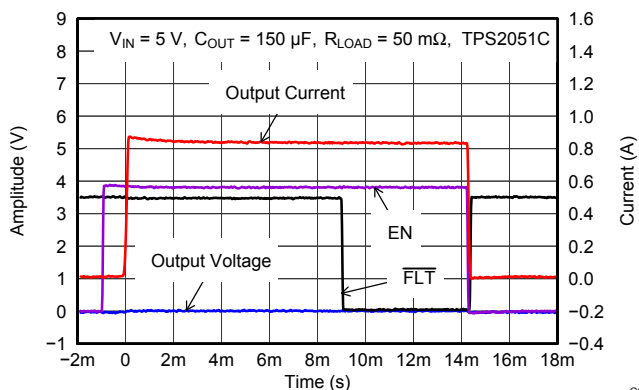


Figure 22. TPS2051C Enable into Short

G014

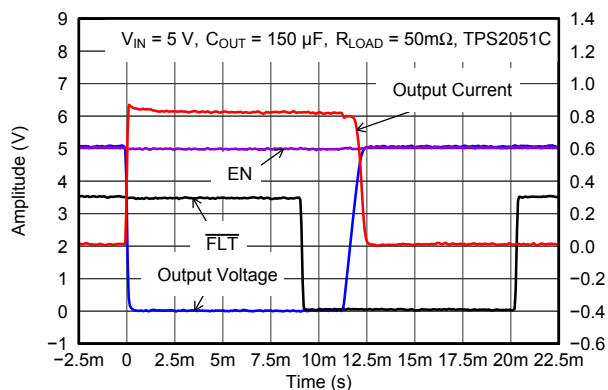


Figure 23. TPS2051C Pulsed Output Short

G015

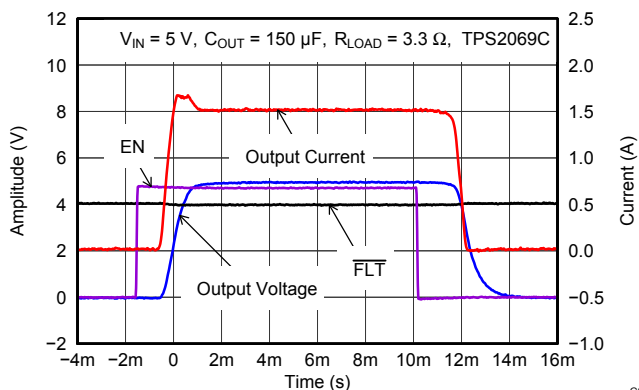


Figure 24. TPS2069CDGN Turn ON into 10Ω

G016

TYPICAL CHARACTERISTICS (continued)

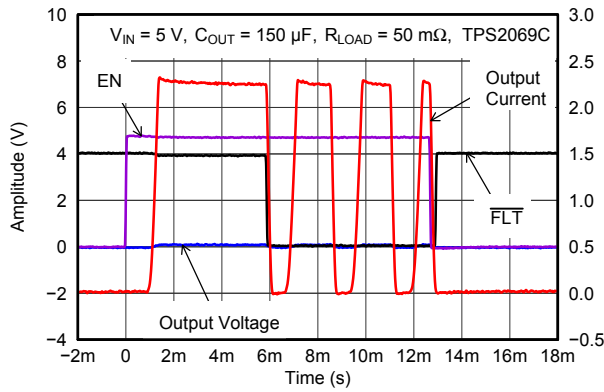


Figure 25. TPS2069CDGN Enable into Short

G017

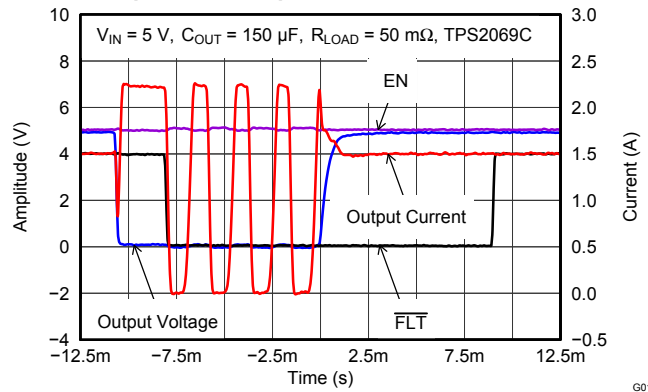


Figure 26. TPS2069CDGN Pulsed Output Short

G018

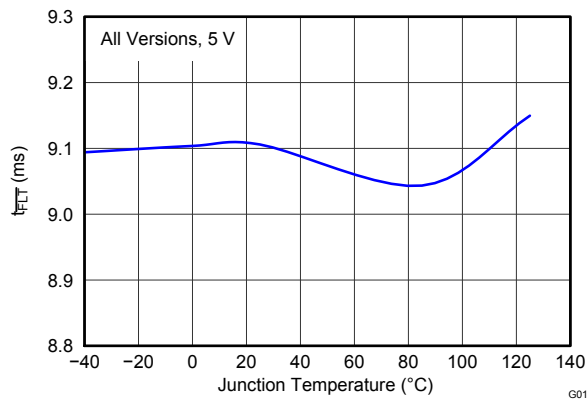


Figure 27. Deglitch Period (t_{FLT}) vs Temperature

G019

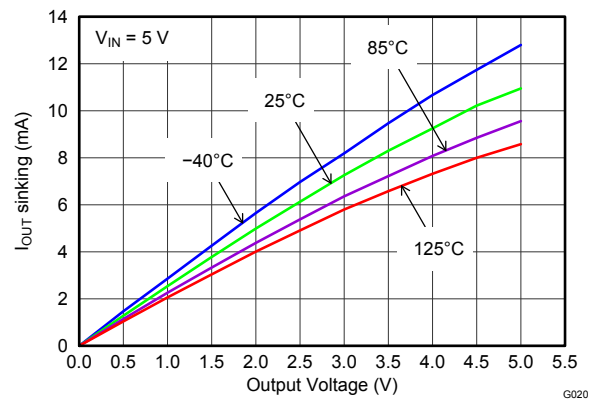


Figure 28. Output Discharge Current vs Output Voltage

G020

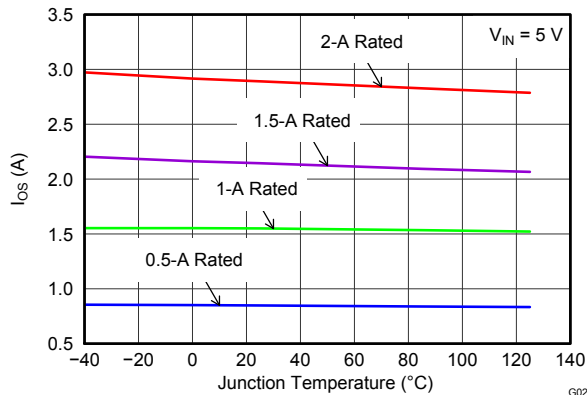


Figure 29. Short Circuit Current (I_{OS}) vs Temperature

G021

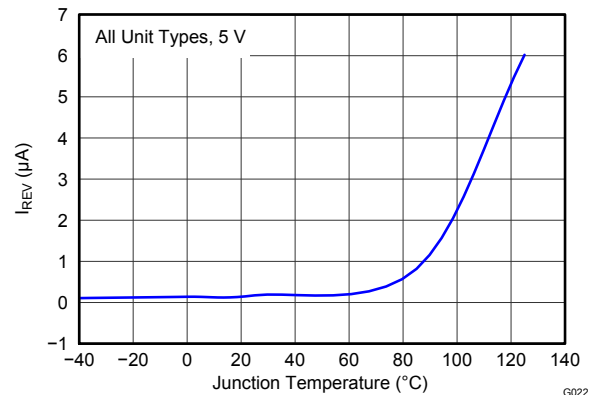


Figure 30. Reverse Leakage Current (I_{REV}) vs Temperature

G022

TYPICAL CHARACTERISTICS (continued)

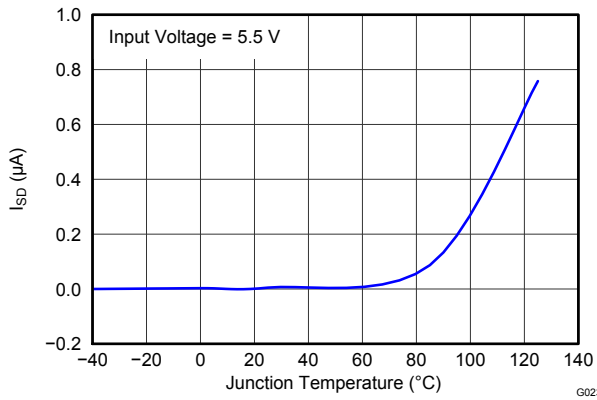


Figure 31. Disabled Supply Current (I_{SD}) vs Temperature

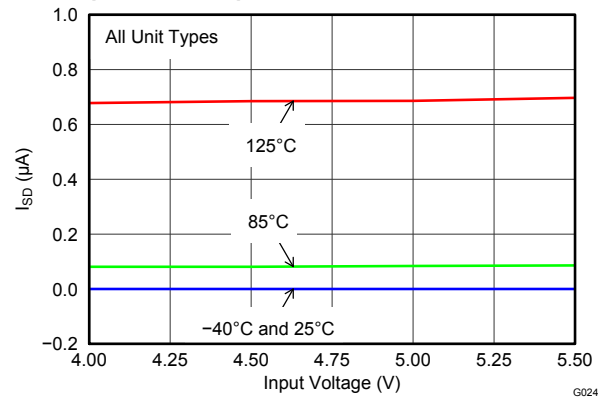


Figure 32. Disabled Supply Current (I_{SD}) vs Input Voltage

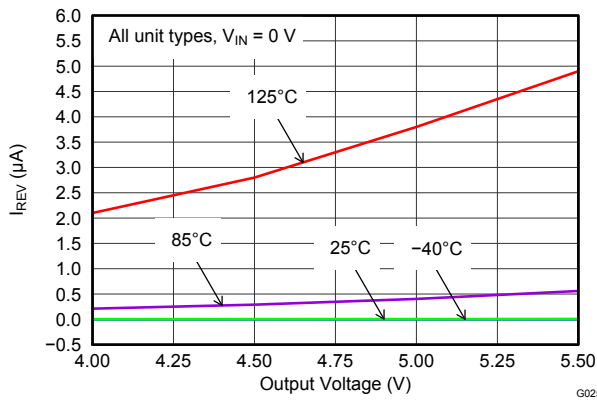


Figure 33. Reverse Leakage Current (I_{REV}) vs Output Voltage

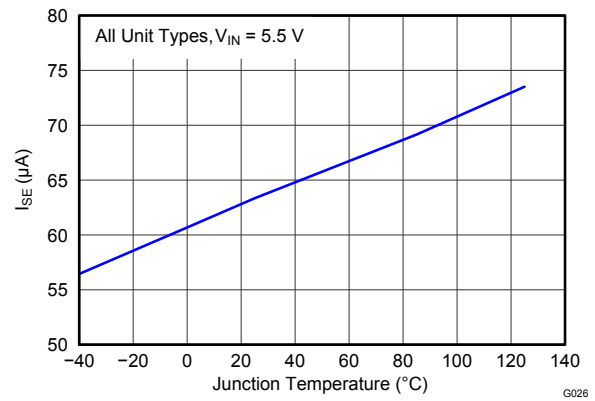


Figure 34. Enabled Supply Current (I_{SE}) vs Temperature

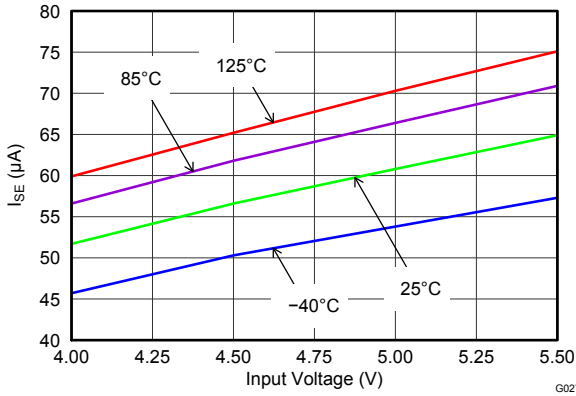


Figure 35. Enabled Supply Current (I_{SE}) vs Input Voltage

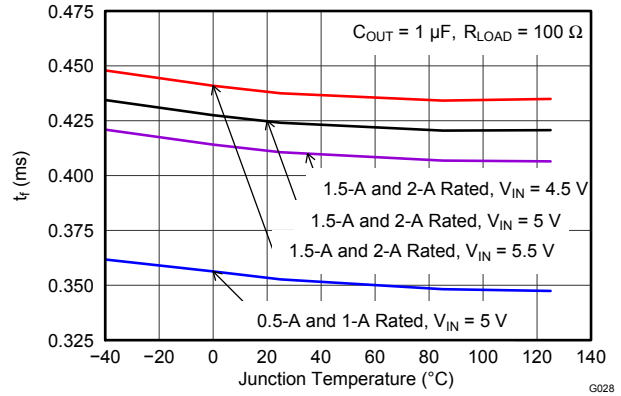


Figure 36. Output Fall Time (t_F) vs Temperature

TYPICAL CHARACTERISTICS (continued)

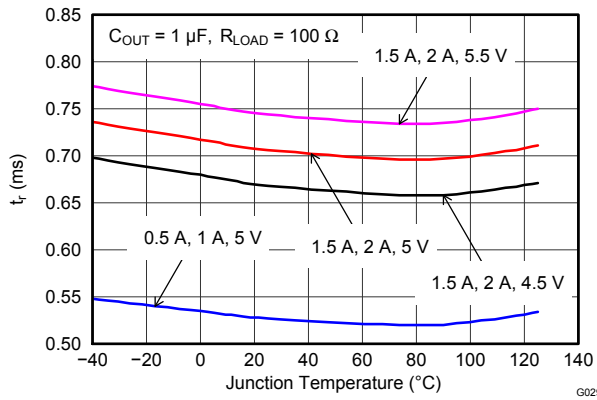


Figure 37. Output Rise Time (t_R) vs Temperature

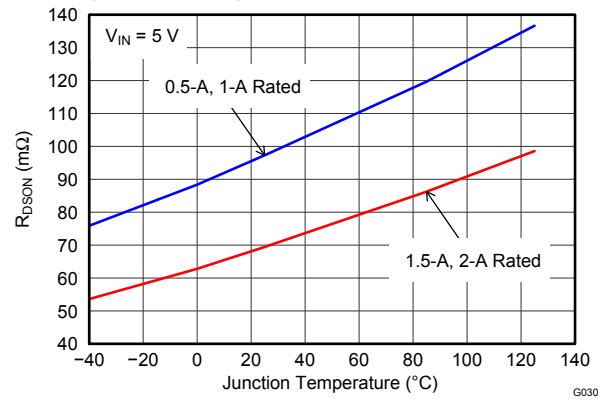


Figure 38. Input-Output Resistance ($R_{DS(ON)}$) vs Temperature

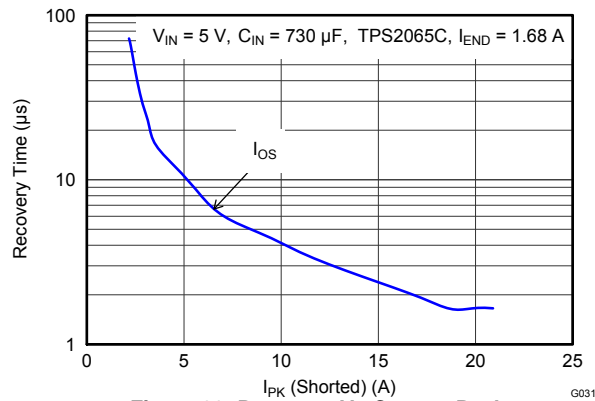


Figure 39. Recovery Vs Current Peak

DETAILED DESCRIPTION

The TPS20xxC are current-limited, power-distribution switches providing between 0.5 A and 2 A of continuous load current in 5 V circuits. These parts use N-channel MOSFETs for low resistance, maintaining voltage regulation to the load. They are designed for applications where short circuits or heavy capacitive loads will be encountered. Device features include enable, reverse blocking when disabled, output discharge pulldown, overcurrent protection, over-temperature protection, and deglitched fault reporting.

UVLO

The undervoltage lockout (UVLO) circuit disables the power switch until the input voltage reaches the UVLO turn-on threshold. Built-in hysteresis prevents unwanted on/off cycling due to input voltage drop from large current surges. \overline{FLT} is high impedance when the TPS20xxC is in UVLO.

ENABLE

The logic enable input (EN, or \overline{EN}), controls the power switch, bias for the charge pump, driver, and other circuits. The supply current is reduced to less than 1 μ A when the TPS20xxC is disabled. Disabling the TPS20xxC will immediately clear an active \overline{FLT} indication. The enable input is compatible with both TTL and CMOS logic levels.

The turnon and turnoff times (t_{ON} , t_{OFF}) are composed of a delay and a rise or fall time (t_R , t_F). The delay times are internally controlled. The rise time is controlled by both the TPS20xxC and the external loading (especially capacitance). The fall time is controlled by the TPS20xxC, the loading (R and C), and the output discharge (R_{PD}). An output load consisting of only a resistor will experience a fall time set by the TPS20xxC. An output load with parallel R and C elements will experience a fall time determined by the (R \times C) time constant if it is longer than the TPS20xxC's t_F .

The enable should not be left open, and may be tied to VIN or GND depending on the device.

INTERNAL CHARGE PUMP

The device incorporates an internal charge pump and gate drive circuitry necessary to drive the N-channel MOSFET. The charge pump supplies power to the gate driver circuit and provides the necessary voltage to pull the gate of the MOSFET above the source. The driver incorporates circuitry that controls the rise and fall times of the output voltage to limit large current and voltage surges on the input supply, and provides built-in soft-start functionality. The MOSFET power switch will block current from OUT to IN when turned off by the UVLO or disabled.

CURRENT LIMIT

The TPS20xxC responds to overloads by limiting output current to the static I_{OS} levels shown in the Electrical Characteristics table. When an overload condition is present, the device maintains a constant output current, with the output voltage determined by ($I_{OS} \times R_{LOAD}$). Two possible overload conditions can occur.

The first overload condition occurs when either: 1) input voltage is first applied, enable is true, and a short circuit is present (load which draws $I_{OUT} > I_{OS}$), or 2) input voltage is present and the TPS20xxC is enabled into a short circuit. The output voltage is held near zero potential with respect to ground and the TPS20xxC ramps the output current to I_{OS} . The TPS20xxC will limit the current to I_{OS} until the overload condition is removed or the device begins to thermal cycle. This is demonstrated in [Figure 11](#) where the device was enabled into a short, and subsequently cycles current off and on as the thermal protection engages.

The second condition is when an overload occurs while the device is enabled and fully turned on. The device responds to the overload condition within t_{IOS} ([Figure 6](#) and [Figure 7](#)) when the specified overload (per Electrical Characteristics table) is applied. The response speed and shape will vary with the overload level, input circuit, and rate of application. The current-limit response will vary between simply settling to I_{OS} , or turnoff and controlled return to I_{OS} . Similar to the previous case, the TPS20xxC will limit the current to I_{OS} until the overload condition is removed or the device begins to thermal cycle. This is demonstrated by [Figure 12](#), [Figure 13](#), and [Figure 14](#).

TPS20xxC

SLVSAU6A–JUNE 2011–REVISED JULY 2011

www.ti.com

The TPS20xxC thermal cycles if an overload condition is present long enough to activate thermal limiting in any of the above cases. This is due to the relatively large power dissipation $[(V_{IN} - V_{OUT}) \times I_{OS}]$ driving the junction temperature up. The device turns off when the junction temperature exceeds 135°C (min) while in current limit. The device remains off until the junction temperature cools 20°C and then restarts.

There are two kinds of current limit profiles typically available in TI switch products similar to the TPS20xxC. Many older designs have an output I vs V characteristic similar to the plot labeled "Current Limit with Peaking" in Figure 40. This type of limiting can be characterized by two parameters, the current limit corner (I_{OC}), and the short circuit current (I_{OS}). I_{OC} is often specified as a maximum value. The TPS20xxC family of parts does not present noticeable peaking in the current limit, corresponding to the characteristic labeled "Flat Current Limit" in Figure 40. This is why the I_{OC} parameter is not present in the Electrical Characteristics tables.

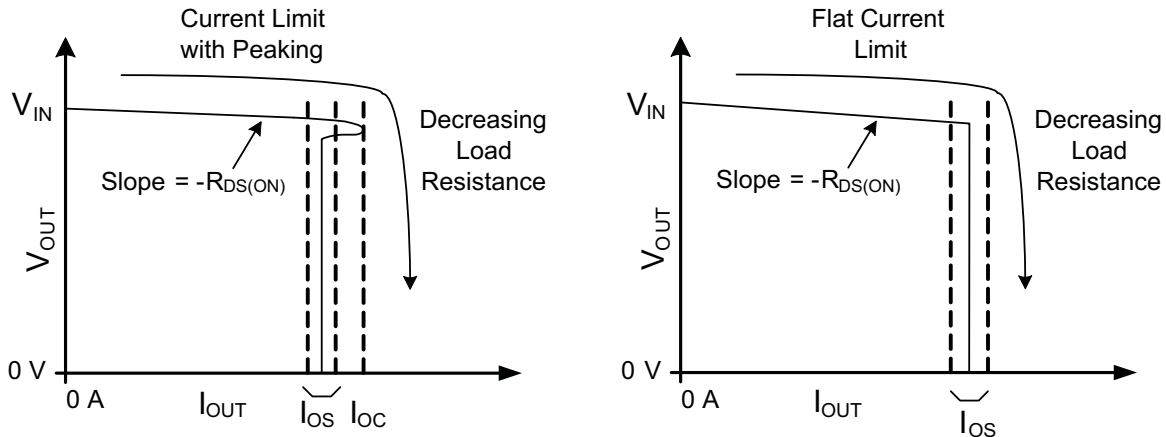


Figure 40. Current Limit Profiles

\overline{FLT}

The \overline{FLT} open-drain output is asserted (active low) during an overload or over-temperature condition. A 9 ms deglitch on both the rising and falling edges avoids false reporting at startup and during transients. A current limit condition shorter than the deglitch period will clear the internal timer upon termination. The deglitch timer will not integrate multiple short overloads and declare a fault. This is also true for exiting from a faulted state. An input voltage with excessive ripple and large output capacitance may interfere with operation of \overline{FLT} around I_{OS} as the ripple will drive the TPS20xxC in and out of current limit.

If the TPS20xxC is in current limit and the over-temperature circuit goes active, \overline{FLT} will go true immediately (see Figure 12) however exiting this condition is deglitched (see Figure 14). \overline{FLT} is tripped just as the knee of the constant-current limiting is entered. Disabling the TPS20xxC will clear an active \overline{FLT} as soon as the switch turns off (see Figure 11). \overline{FLT} is high impedance when the TPS20xxC is disabled or in under-voltage lockout (UVLO).

OUTPUT DISCHARGE

A 470Ω (typical) output discharge will dissipate stored charge and leakage current on OUT when the TPS20xxC is in UVLO or disabled. The pull-down circuit will lose bias gradually as V_{IN} decreases, causing a rise in the discharge resistance as V_{IN} falls towards 0 V.

APPLICATION INFORMATION

INPUT AND OUTPUT CAPACITANCE

Input and output capacitance improves the performance of the device; the actual capacitance should be optimized for the particular application. For all applications, a 0.1 μF or greater ceramic bypass capacitor between IN and GND is recommended as close to the device as possible for local noise decoupling.

All protection circuits such as the TPS20xxC will have the potential for input voltage overshoots and output voltage undershoots.

Input voltage overshoots can be caused by either of two effects. The first cause is an abrupt application of input voltage in conjunction with input power bus inductance and input capacitance when the IN terminal is high impedance (before turn on). Theoretically, the peak voltage is 2 times the applied. The second cause is due to the abrupt reduction of output short circuit current when the TPS20xxC turns off and energy stored in the input inductance drives the input voltage high. Input voltage droops may also occur with large load steps and as the TPS20xxC output is shorted. Applications with large input inductance (e.g. connecting the evaluation board to the bench power-supply through long cables) may require large input capacitance reduce the voltage overshoot from exceeding the absolute maximum voltage of the device. The fast current-limit speed of the TPS20xxC to hard output short circuits isolates the input bus from faults. However, ceramic input capacitance in the range of 1 μF to 22 μF adjacent to the TPS20xxC input aids in both speeding the response time and limiting the transient seen on the input power bus. Momentary input transients to 6.5V are permitted.

Output voltage undershoot is caused by the inductance of the output power bus just after a short has occurred and the TPS20xxC has abruptly reduced OUT current. Energy stored in the inductance will drive the OUT voltage down and potentially negative as it discharges. Applications with large output inductance (such as from a cable) benefit from use of a high-value output capacitor to control the voltage undershoot. When implementing USB standard applications, a 120 μF minimum output capacitance is required. Typically a 150 μF electrolytic capacitor is used, which is sufficient to control voltage undershoots. However, if the application does not require 120 μF of capacitance, and there is potential to drive the output negative, a minimum of 10 μF ceramic capacitance on the output is recommended. The voltage undershoot should be controlled to less than 1.5 V for 10 μs .

POWER DISSIPATION AND JUNCTION TEMPERATURE

It is good design practice to estimate power dissipation and maximum expected junction temperature of the TPS20xxC. The system designer can control choices of package, proximity to other power dissipating devices, and printed circuit board (PCB) design based on these calculations. These have a direct influence on maximum junction temperature. Other factors, such as airflow and maximum ambient temperature, are often determined by system considerations. It is important to remember that these calculations do not include the effects of adjacent heat sources, and enhanced or restricted air flow.

Addition of extra PCB copper area around these devices is recommended to reduce the thermal impedance and maintain the junction temperature as low as practical. The lower junction temperatures achieved by soldering the pad improve the efficiency and reliability of both TPS20xxC parts and the system. The following examples were used to determine the θ_{JA} Custom thermal impedances noted in the THERMAL INFORMATION table. They were based on use of the JEDEC high-k circuit board construction (2 signal and 2 plane) with 4, 1oz. copper weight, layers.

While it is recommended that the DGN package PAD be soldered to circuit board copper fill and vias for low thermal impedance, there may be cases where this is not desired. For example, use of routing area under the IC. The TPS20xxC will operate properly with the pad not connected to GND. θ_{JA} for a 4 layer board with the pad not soldered is approximately 141°C/W for the 0.5-A and 1-A rated parts and 139°C/W for the 1.5-A and 2-A rated parts. These values may be used in [Equation 1](#) below to determine the maximum junction temperature.

TPS20xxC

SLVSAU6A–JUNE 2011–REVISED JULY 2011

www.ti.com

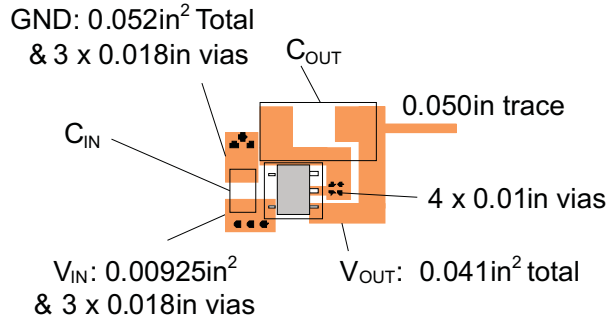


Figure 41. DBV Package PCB Layout Example

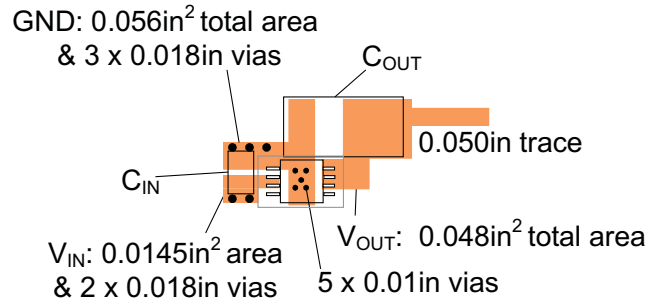


Figure 42. DGN Package PCB Layout Example

The following procedure requires iteration because power loss is due to the internal MOSFET $I^2 \times R_{DS(ON)}$, and $R_{DS(ON)}$ is a function of the junction temperature. As an initial estimate, use the $R_{DS(ON)}$ at 125°C from the TYPICAL CHARACTERISTICS, and the preferred package thermal resistance for the preferred board construction from the THERMAL INFORMATION table.

$$T_J = T_A + ((I_{OUT2} \times R_{DS(ON)}) \times \theta_{JA}) \tag{1}$$

Where:

- I_{OUT} = rated OUT pin current (A)
- $R_{DS(ON)}$ = Power switch on-resistance at an assumed T_J (Ω)
- T_A = Maximum ambient temperature ($^{\circ}\text{C}$)
- T_J = Maximum junction temperature ($^{\circ}\text{C}$)
- θ_{JA} = Thermal resistance ($^{\circ}\text{C}/\text{W}$)

If the calculated T_J is substantially different from the original assumption, estimate a new value of $R_{DS(ON)}$ using the typical characteristic plot and recalculate.

If the resulting T_J is not less than 125°C, try a PCB construction and/or package with lower θ_{JA} .

REVISION HISTORY

| Changes from Original (June 2011) to Revision A | Page |
|--|------|
| • Updated MSOP Devices Status From: Preview To: Active | 1 |
| • Corrected pinout numbers for the 5-PIN PACKAGE | 6 |

PACKAGING INFORMATION

| Orderable Device | Status ⁽¹⁾ | Package Type | Package Drawing | Pins | Package Qty | Eco Plan ⁽²⁾ | Lead/ Ball Finish | MSL Peak Temp ⁽³⁾ | Samples (Requires Login) |
|------------------|-----------------------|-------------------|-----------------|------|-------------|----------------------------|----------------------|------------------------------|-----------------------------|
| TPS2000CDGN | PREVIEW | MSOP- PowerPAD | DGN | 8 | 80 | TBD | Call TI | Call TI | |
| TPS2000CDGNR | PREVIEW | MSOP- PowerPAD | DGN | 8 | 2500 | TBD | Call TI | Call TI | |
| TPS2001CDGN | PREVIEW | MSOP- PowerPAD | DGN | 8 | 80 | TBD | Call TI | Call TI | |
| TPS2001CDGNR | ACTIVE | MSOP- PowerPAD | DGN | 8 | 2500 | Green (RoHS & no Sb/Br) | CU NIPDAU | Level-2-260C-1 YEAR | |
| TPS2051CDBVR | PREVIEW | SOT-23 | DBV | 5 | 3000 | TBD | Call TI | Call TI | |
| TPS2051CDBVT | PREVIEW | SOT-23 | DBV | 5 | 250 | TBD | Call TI | Call TI | |
| TPS2065CDBVR | PREVIEW | SOT-23 | DBV | 5 | 3000 | TBD | Call TI | Call TI | |
| TPS2065CDBVT | PREVIEW | SOT-23 | DBV | 5 | 250 | TBD | Call TI | Call TI | |
| TPS2065CDGN | ACTIVE | MSOP- PowerPAD | DGN | 8 | 80 | Green (RoHS & no Sb/Br) | CU NIPDAU | Level-2-260C-1 YEAR | |
| TPS2065CDGNR | ACTIVE | MSOP- PowerPAD | DGN | 8 | 2500 | Green (RoHS & no Sb/Br) | CU NIPDAU | Level-2-260C-1 YEAR | |
| TPS2069CDGN | ACTIVE | MSOP- PowerPAD | DGN | 8 | 80 | Green (RoHS & no Sb/Br) | CU NIPDAU | Level-2-260C-1 YEAR | |
| TPS2069CDGNR | ACTIVE | MSOP- PowerPAD | DGN | 8 | 2500 | Green (RoHS & no Sb/Br) | CU NIPDAU | Level-2-260C-1 YEAR | |

⁽¹⁾ The marketing status values are defined as follows:

ACTIVE: Product device recommended for new designs.

LIFEBUY: TI has announced that the device will be discontinued, and a lifetime-buy period is in effect.

NRND: Not recommended for new designs. Device is in production to support existing customers, but TI does not recommend using this part in a new design.

PREVIEW: Device has been announced but is not in production. Samples may or may not be available.

OBSELETE: TI has discontinued the production of the device.

⁽²⁾ Eco Plan - The planned eco-friendly classification: Pb-Free (RoHS), Pb-Free (RoHS Exempt), or Green (RoHS & no Sb/Br) - please check <http://www.ti.com/productcontent> for the latest availability information and additional product content details.

TBD: The Pb-Free/Green conversion plan has not been defined.

Pb-Free (RoHS): TI's terms "Lead-Free" or "Pb-Free" mean semiconductor products that are compatible with the current RoHS requirements for all 6 substances, including the requirement that lead not exceed 0.1% by weight in homogeneous materials. Where designed to be soldered at high temperatures, TI Pb-Free products are suitable for use in specified lead-free processes.

Pb-Free (RoHS Exempt): This component has a RoHS exemption for either 1) lead-based flip-chip solder bumps used between the die and package, or 2) lead-based die adhesive used between the die and leadframe. The component is otherwise considered Pb-Free (RoHS compatible) as defined above.

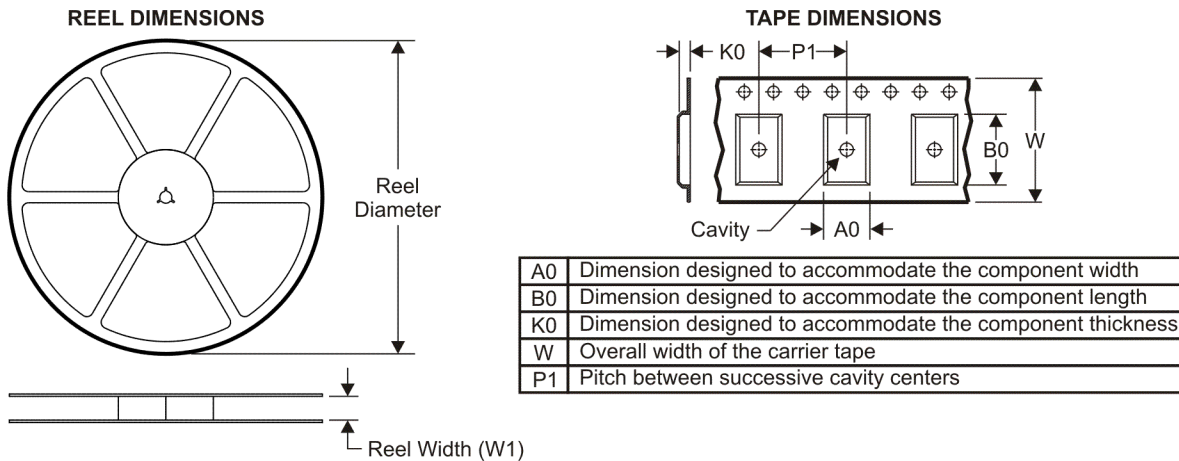
Green (RoHS & no Sb/Br): TI defines "Green" to mean Pb-Free (RoHS compatible), and free of Bromine (Br) and Antimony (Sb) based flame retardants (Br or Sb do not exceed 0.1% by weight in homogeneous material)

⁽³⁾ MSL, Peak Temp. -- The Moisture Sensitivity Level rating according to the JEDEC industry standard classifications, and peak solder temperature.

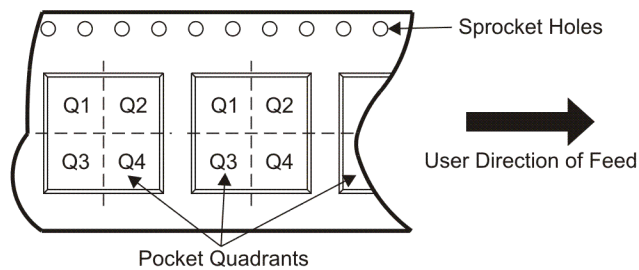
Important Information and Disclaimer: The information provided on this page represents TI's knowledge and belief as of the date that it is provided. TI bases its knowledge and belief on information provided by third parties, and makes no representation or warranty as to the accuracy of such information. Efforts are underway to better integrate information from third parties. TI has taken and continues to take reasonable steps to provide representative and accurate information but may not have conducted destructive testing or chemical analysis on incoming materials and chemicals. TI and TI suppliers consider certain information to be proprietary, and thus CAS numbers and other limited information may not be available for release.

In no event shall TI's liability arising out of such information exceed the total purchase price of the TI part(s) at issue in this document sold by TI to Customer on an annual basis.

TAPE AND REEL INFORMATION



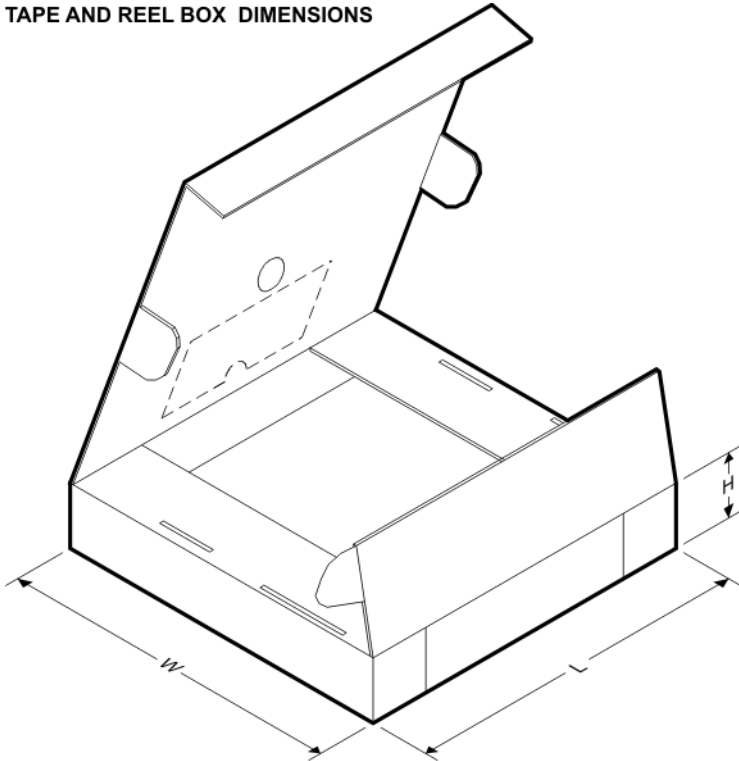
QUADRANT ASSIGNMENTS FOR PIN 1 ORIENTATION IN TAPE



*All dimensions are nominal

| Device | Package Type | Package Drawing | Pins | SPQ | Reel Diameter (mm) | Reel Width W1 (mm) | A0 (mm) | B0 (mm) | K0 (mm) | P1 (mm) | W (mm) | Pin1 Quadrant |
|--------------|----------------|-----------------|------|------|--------------------|--------------------|---------|---------|---------|---------|--------|---------------|
| TPS2000CDGNR | MSOP-Power PAD | DGN | 8 | 2500 | 330.0 | 12.4 | 5.3 | 3.3 | 1.3 | 8.0 | 12.0 | Q1 |
| TPS2000CDGNR | MSOP-Power PAD | DGN | 8 | 2500 | 330.0 | 12.4 | 5.3 | 3.4 | 1.4 | 8.0 | 12.0 | Q1 |
| TPS2001CDGNR | MSOP-Power PAD | DGN | 8 | 2500 | 330.0 | 12.4 | 5.3 | 3.3 | 1.3 | 8.0 | 12.0 | Q1 |
| TPS2001CDGNR | MSOP-Power PAD | DGN | 8 | 2500 | 330.0 | 12.4 | 5.3 | 3.4 | 1.4 | 8.0 | 12.0 | Q1 |
| TPS2065CDGNR | MSOP-Power PAD | DGN | 8 | 2500 | 330.0 | 12.4 | 5.3 | 3.3 | 1.3 | 8.0 | 12.0 | Q1 |
| TPS2065CDGNR | MSOP-Power PAD | DGN | 8 | 2500 | 330.0 | 12.4 | 5.3 | 3.4 | 1.4 | 8.0 | 12.0 | Q1 |
| TPS2069CDGNR | MSOP-Power PAD | DGN | 8 | 2500 | 330.0 | 12.4 | 5.3 | 3.4 | 1.4 | 8.0 | 12.0 | Q1 |
| TPS2069CDGNR | MSOP-Power PAD | DGN | 8 | 2500 | 330.0 | 12.4 | 5.3 | 3.3 | 1.3 | 8.0 | 12.0 | Q1 |

| Device | Package Type | Package Drawing | Pins | SPQ | Reel Diameter (mm) | Reel Width W1 (mm) | A0 (mm) | B0 (mm) | K0 (mm) | P1 (mm) | W (mm) | Pin1 Quadrant |
|--------|--------------|-----------------|------|-----|--------------------|--------------------|---------|---------|---------|---------|--------|---------------|
| | Power PAD | | | | | | | | | | | |

TAPE AND REEL BOX DIMENSIONS


*All dimensions are nominal

| Device | Package Type | Package Drawing | Pins | SPQ | Length (mm) | Width (mm) | Height (mm) |
|--------------|---------------|-----------------|------|------|-------------|------------|-------------|
| TPS2000CDGNR | MSOP-PowerPAD | DGN | 8 | 2500 | 370.0 | 355.0 | 55.0 |
| TPS2000CDGNR | MSOP-PowerPAD | DGN | 8 | 2500 | 360.0 | 162.0 | 98.0 |
| TPS2001CDGNR | MSOP-PowerPAD | DGN | 8 | 2500 | 370.0 | 355.0 | 55.0 |
| TPS2001CDGNR | MSOP-PowerPAD | DGN | 8 | 2500 | 360.0 | 162.0 | 98.0 |
| TPS2065CDGNR | MSOP-PowerPAD | DGN | 8 | 2500 | 370.0 | 355.0 | 55.0 |
| TPS2065CDGNR | MSOP-PowerPAD | DGN | 8 | 2500 | 360.0 | 162.0 | 98.0 |
| TPS2069CDGNR | MSOP-PowerPAD | DGN | 8 | 2500 | 360.0 | 162.0 | 98.0 |
| TPS2069CDGNR | MSOP-PowerPAD | DGN | 8 | 2500 | 370.0 | 355.0 | 55.0 |

DBV (R-PDSO-G5)

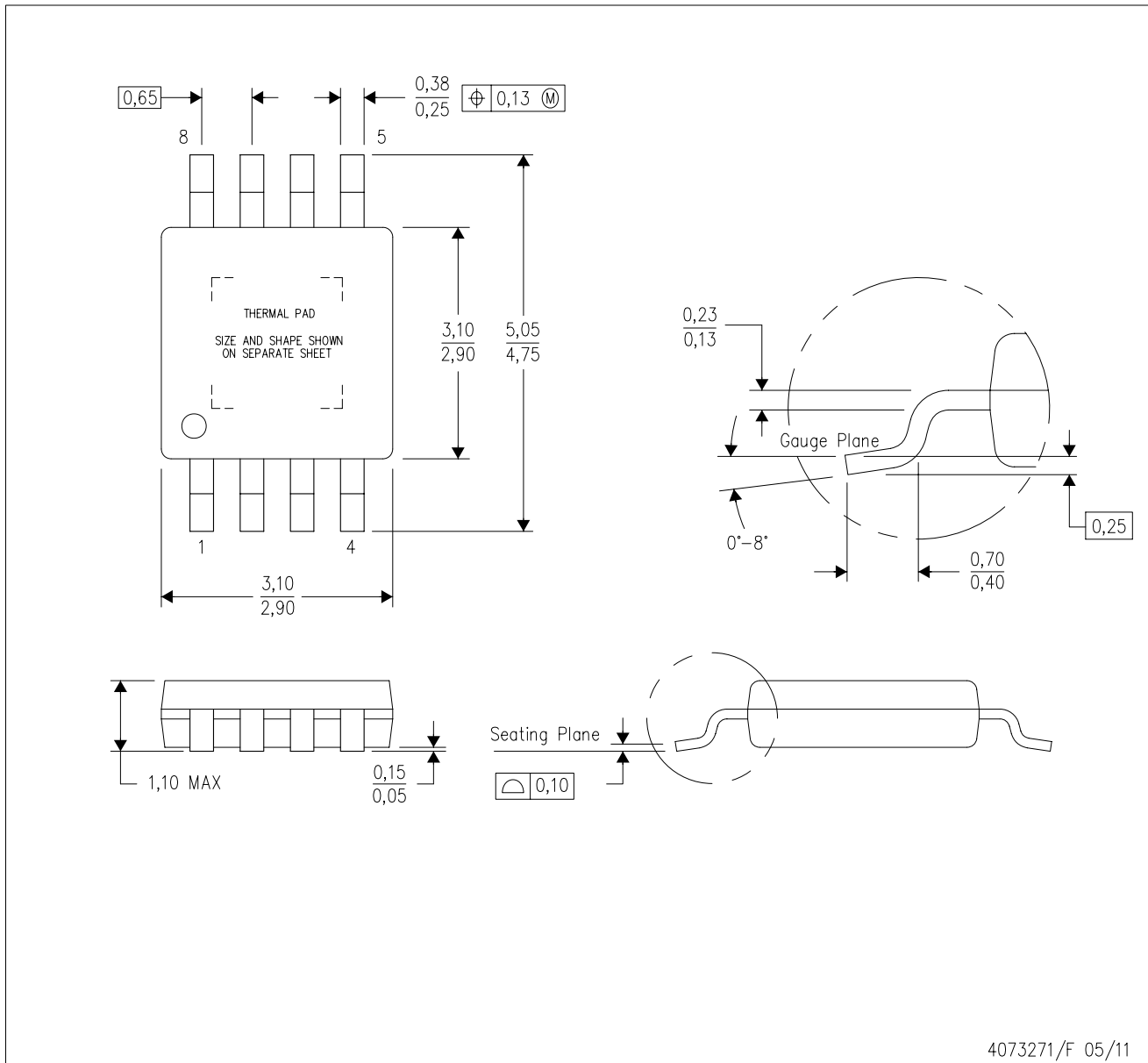
PLASTIC SMALL-OUTLINE PACKAGE



- NOTES:
- A. All linear dimensions are in millimeters.
 - B. This drawing is subject to change without notice.
 - C. Body dimensions do not include mold flash or protrusion. Mold flash and protrusion shall not exceed 0.15 per side.
 - D. Falls within JEDEC MO-178 Variation AA.

DGN (S-PDSO-G8)

PowerPAD™ PLASTIC SMALL OUTLINE



- NOTES:
- All linear dimensions are in millimeters.
 - This drawing is subject to change without notice.
 - Body dimensions do not include mold flash or protrusion.
 - This package is designed to be soldered to a thermal pad on the board. Refer to Technical Brief, PowerPad Thermally Enhanced Package, Texas Instruments Literature No. SLMA002 for information regarding recommended board layout. This document is available at www.ti.com <<http://www.ti.com>>.
 - See the additional figure in the Product Data Sheet for details regarding the exposed thermal pad features and dimensions.
 - Falls within JEDEC MO-187 variation AA-T

PowerPAD is a trademark of Texas Instruments.

THERMAL PAD MECHANICAL DATA

DGN (S-PDSO-G8)

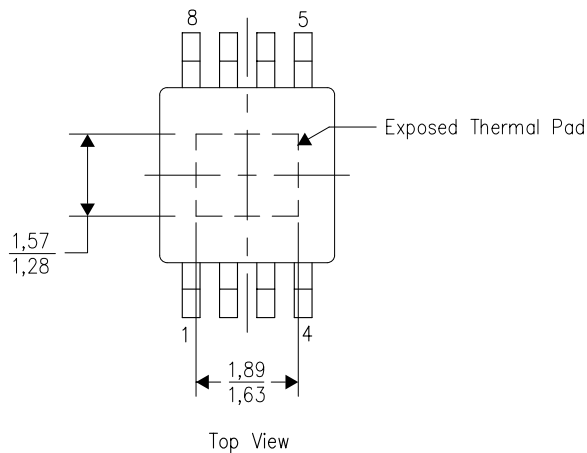
PowerPAD™ PLASTIC SMALL OUTLINE

THERMAL INFORMATION

This PowerPAD™ package incorporates an exposed thermal pad that is designed to be attached to a printed circuit board (PCB). The thermal pad must be soldered directly to the PCB. After soldering, the PCB can be used as a heatsink. In addition, through the use of thermal vias, the thermal pad can be attached directly to the appropriate copper plane shown in the electrical schematic for the device, or alternatively, can be attached to a special heatsink structure designed into the PCB. This design optimizes the heat transfer from the integrated circuit (IC).

For additional information on the PowerPAD package and how to take advantage of its heat dissipating abilities, refer to Technical Brief, PowerPAD Thermally Enhanced Package, Texas Instruments Literature No. SLMA002 and Application Brief, PowerPAD Made Easy, Texas Instruments Literature No. SLMA004. Both documents are available at www.ti.com.

The exposed thermal pad dimensions for this package are shown in the following illustration.

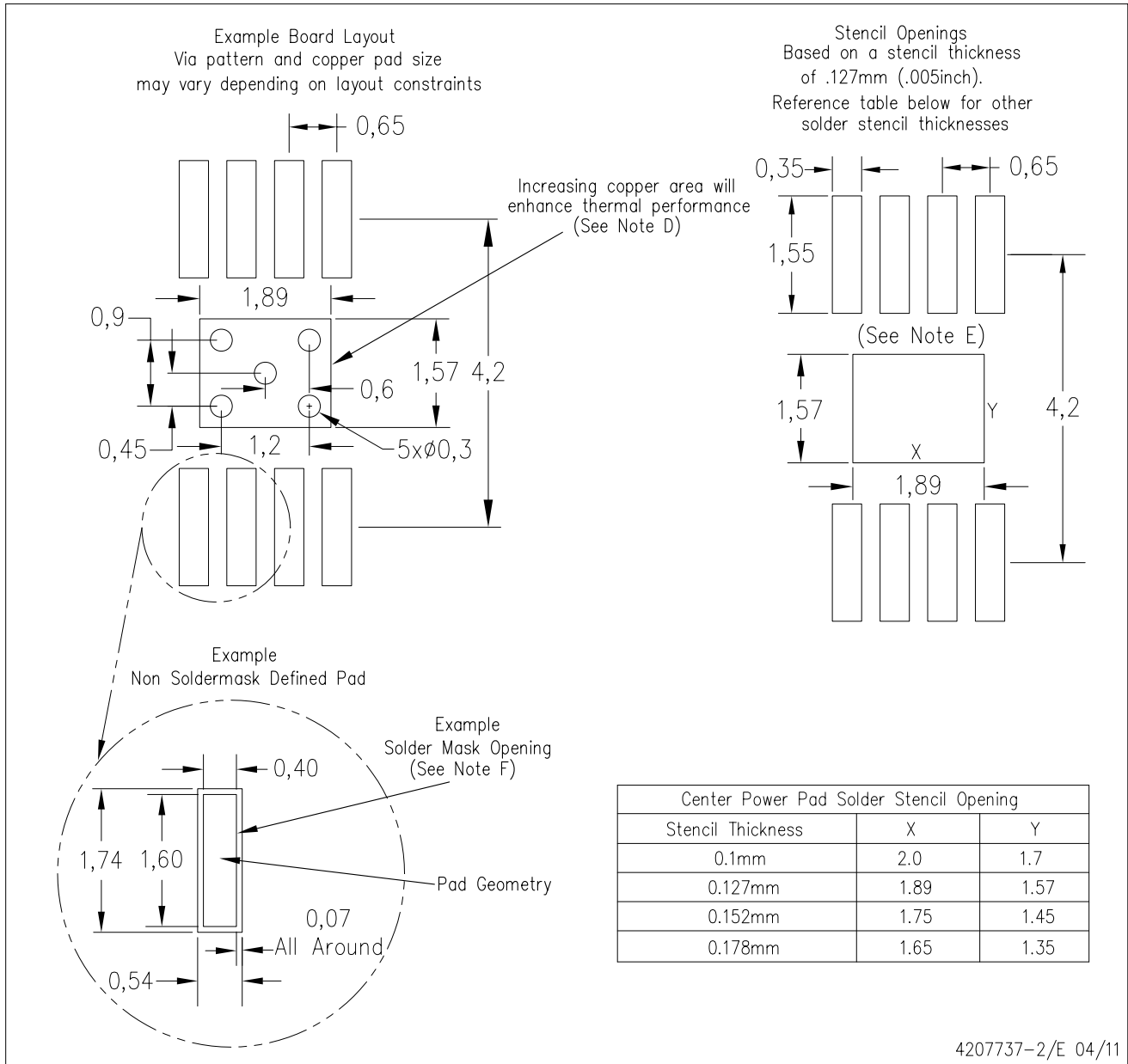


Exposed Thermal Pad Dimensions

4206323-2/H 05/11

NOTE: All linear dimensions are in millimeters

PowerPAD is a trademark of Texas Instruments



4207737-2/E 04/11

- NOTES:
- All linear dimensions are in millimeters.
 - This drawing is subject to change without notice.
 - Customers should place a note on the circuit board fabrication drawing not to alter the center solder mask defined pad.
 - This package is designed to be soldered to a thermal pad on the board. Refer to Technical Brief, PowerPad Thermally Enhanced Package, Texas Instruments Literature No. SLMA002, SLMA004, and also the Product Data Sheets for specific thermal information, via requirements, and recommended board layout. These documents are available at www.ti.com <<http://www.ti.com>>. Publication IPC-7351 is recommended for alternate designs.
 - Laser cutting apertures with trapezoidal walls and also rounding corners will offer better paste release. Customers should contact their board assembly site for stencil design recommendations. Example stencil design based on a 50% volumetric metal load solder paste. Refer to IPC-7525 for other stencil recommendations.
 - Customers should contact their board fabrication site for solder mask tolerances between and around signal pads.

PowerPAD is a trademark of Texas Instruments

THERMAL PAD MECHANICAL DATA

DGN (S-PDSO-G8)

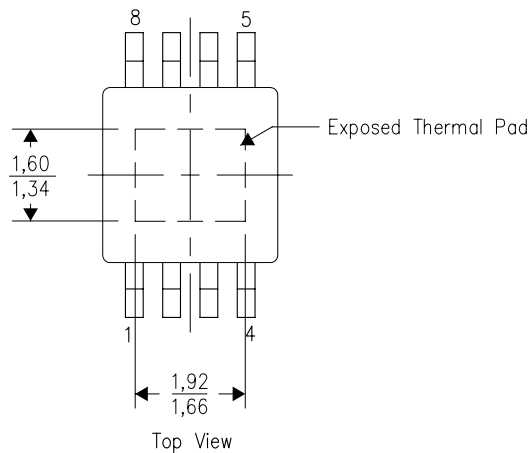
PowerPAD™ PLASTIC SMALL OUTLINE

THERMAL INFORMATION

This PowerPAD™ package incorporates an exposed thermal pad that is designed to be attached to a printed circuit board (PCB). The thermal pad must be soldered directly to the PCB. After soldering, the PCB can be used as a heatsink. In addition, through the use of thermal vias, the thermal pad can be attached directly to the appropriate copper plane shown in the electrical schematic for the device, or alternatively, can be attached to a special heatsink structure designed into the PCB. This design optimizes the heat transfer from the integrated circuit (IC).

For additional information on the PowerPAD package and how to take advantage of its heat dissipating abilities, refer to Technical Brief, PowerPAD Thermally Enhanced Package, Texas Instruments Literature No. SLMA002 and Application Brief, PowerPAD Made Easy, Texas Instruments Literature No. SLMA004. Both documents are available at www.ti.com.

The exposed thermal pad dimensions for this package are shown in the following illustration.



Exposed Thermal Pad Dimensions

4206323-4/H 05/11

NOTE: All linear dimensions are in millimeters

PowerPAD is a trademark of Texas Instruments

IMPORTANT NOTICE

Texas Instruments Incorporated and its subsidiaries (TI) reserve the right to make corrections, modifications, enhancements, improvements, and other changes to its products and services at any time and to discontinue any product or service without notice. Customers should obtain the latest relevant information before placing orders and should verify that such information is current and complete. All products are sold subject to TI's terms and conditions of sale supplied at the time of order acknowledgment.

TI warrants performance of its hardware products to the specifications applicable at the time of sale in accordance with TI's standard warranty. Testing and other quality control techniques are used to the extent TI deems necessary to support this warranty. Except where mandated by government requirements, testing of all parameters of each product is not necessarily performed.

TI assumes no liability for applications assistance or customer product design. Customers are responsible for their products and applications using TI components. To minimize the risks associated with customer products and applications, customers should provide adequate design and operating safeguards.

TI does not warrant or represent that any license, either express or implied, is granted under any TI patent right, copyright, mask work right, or other TI intellectual property right relating to any combination, machine, or process in which TI products or services are used. Information published by TI regarding third-party products or services does not constitute a license from TI to use such products or services or a warranty or endorsement thereof. Use of such information may require a license from a third party under the patents or other intellectual property of the third party, or a license from TI under the patents or other intellectual property of TI.

Reproduction of TI information in TI data books or data sheets is permissible only if reproduction is without alteration and is accompanied by all associated warranties, conditions, limitations, and notices. Reproduction of this information with alteration is an unfair and deceptive business practice. TI is not responsible or liable for such altered documentation. Information of third parties may be subject to additional restrictions.

Resale of TI products or services with statements different from or beyond the parameters stated by TI for that product or service voids all express and any implied warranties for the associated TI product or service and is an unfair and deceptive business practice. TI is not responsible or liable for any such statements.

TI products are not authorized for use in safety-critical applications (such as life support) where a failure of the TI product would reasonably be expected to cause severe personal injury or death, unless officers of the parties have executed an agreement specifically governing such use. Buyers represent that they have all necessary expertise in the safety and regulatory ramifications of their applications, and acknowledge and agree that they are solely responsible for all legal, regulatory and safety-related requirements concerning their products and any use of TI products in such safety-critical applications, notwithstanding any applications-related information or support that may be provided by TI. Further, Buyers must fully indemnify TI and its representatives against any damages arising out of the use of TI products in such safety-critical applications.

TI products are neither designed nor intended for use in military/aerospace applications or environments unless the TI products are specifically designated by TI as military-grade or "enhanced plastic." Only products designated by TI as military-grade meet military specifications. Buyers acknowledge and agree that any such use of TI products which TI has not designated as military-grade is solely at the Buyer's risk, and that they are solely responsible for compliance with all legal and regulatory requirements in connection with such use.

TI products are neither designed nor intended for use in automotive applications or environments unless the specific TI products are designated by TI as compliant with ISO/TS 16949 requirements. Buyers acknowledge and agree that, if they use any non-designated products in automotive applications, TI will not be responsible for any failure to meet such requirements.

Following are URLs where you can obtain information on other Texas Instruments products and application solutions:

Products

| | |
|-----------------------------|--|
| Audio | www.ti.com/audio |
| Amplifiers | amplifier.ti.com |
| Data Converters | dataconverter.ti.com |
| DLP® Products | www.dlp.com |
| DSP | dsp.ti.com |
| Clocks and Timers | www.ti.com/clocks |
| Interface | interface.ti.com |
| Logic | logic.ti.com |
| Power Mgmt | power.ti.com |
| Microcontrollers | microcontroller.ti.com |
| RFID | www.ti-rfid.com |
| RF/IF and ZigBee® Solutions | www.ti.com/lprf |

Applications

| | |
|-------------------------------|--|
| Communications and Telecom | www.ti.com/communications |
| Computers and Peripherals | www.ti.com/computers |
| Consumer Electronics | www.ti.com/consumer-apps |
| Energy and Lighting | www.ti.com/energy |
| Industrial | www.ti.com/industrial |
| Medical | www.ti.com/medical |
| Security | www.ti.com/security |
| Space, Avionics and Defense | www.ti.com/space-avionics-defense |
| Transportation and Automotive | www.ti.com/automotive |
| Video and Imaging | www.ti.com/video |
| Wireless | www.ti.com/wireless-apps |

TI E2E Community Home Page

e2e.ti.com

Mailing Address: Texas Instruments, Post Office Box 655303, Dallas, Texas 75265
Copyright © 2011, Texas Instruments Incorporated