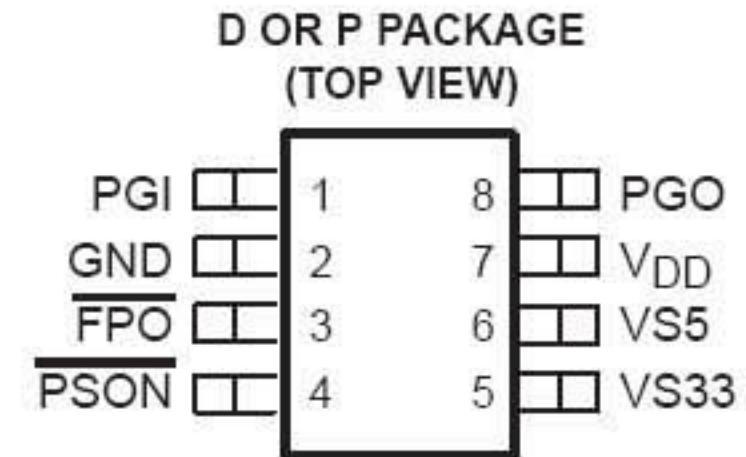


- Over Voltage Protection and Lock Out for 12 V, 5 V, 3.3 V
- Under Voltage Protection and Lock Out for 5 V and 3.3 V
- Fault Protection Output With Open-Drain Output Stage
- Open-Drain Power Good Output Signal for Power Good Input, 3.3 V and 5 V
- 300-ms Power Good Delay
- 75-ms Delay for 5-V and 3.3-V Power Supply Short-Circuit Turnon Protection
- 2.3-ms $\overline{\text{PSON}}$ Control to $\overline{\text{FPO}}$ Turnoff Delay
- 38-ms $\overline{\text{PSON}}$ Control Debounce
- 73- μs Width Noise Deglitches
- Wide Supply Voltage Range From 4 V to 15 V



description

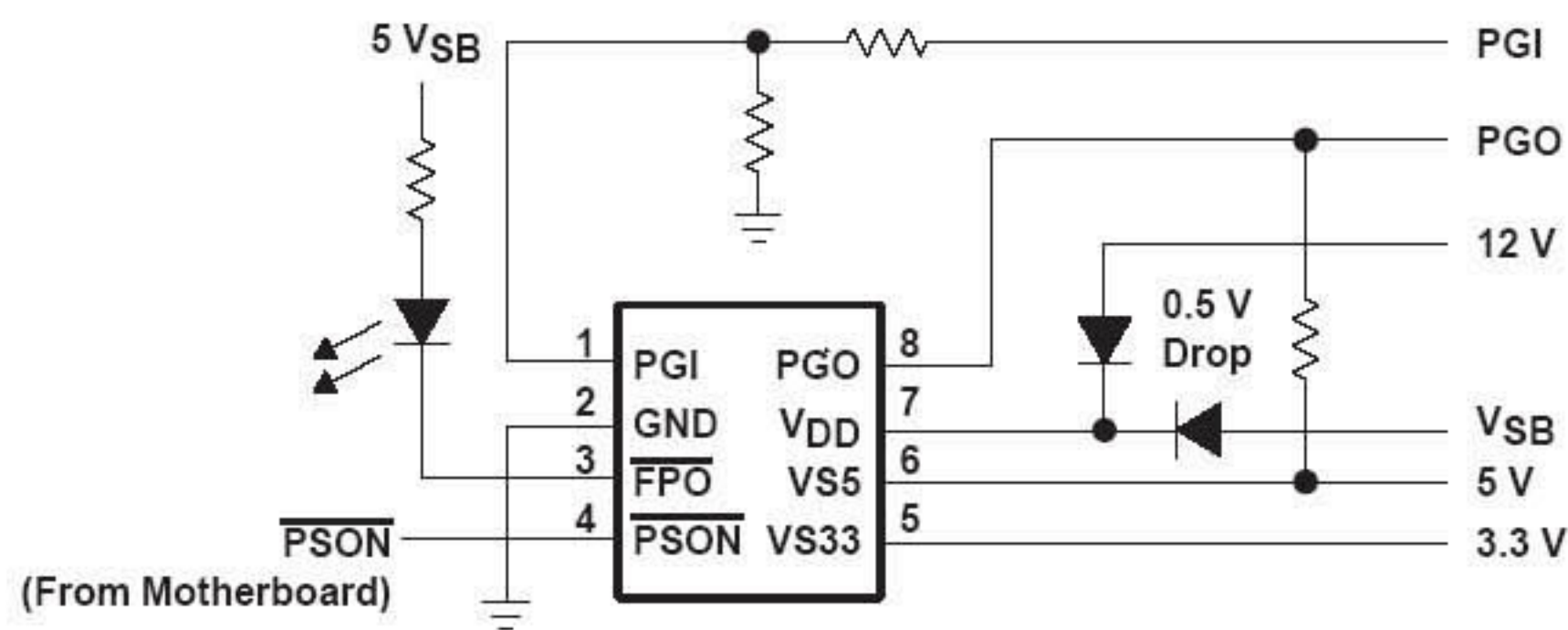
The TPS3510 is designed to minimize external components of personal-computer switching power supply systems. It provides protection circuits, power good indicator, fault protection output ($\overline{\text{FPO}}$) and $\overline{\text{PSON}}$ control.

Over voltage protection (OVP) monitors 3.3 V, 5 V, and 12 V (12-V signal detects via V_{DD} pin). Under voltage protection (UVP) monitors 3.3 V and 5 V. When an OV or UV condition is detected, the power good output (PGO) is set to low and $\overline{\text{FPO}}$ is latched high. $\overline{\text{PSON}}$ from low to high resets the protection latch. UVP function is enabled 75 ms after $\overline{\text{PSON}}$ is set low and debounced. Furthermore, there is a 2.3-ms delay (and an additional 38-ms debounce) at turnoff. There is no delay during turnon.

Power good feature monitors PGI, 3.3 V and 5 V and issues a power good signal when the output is ready.

The TPS3510 is characterized for operation from -40°C to 85°C .

typical application



Please be aware that an important notice concerning availability, standard warranty, and use in critical applications of Texas Instruments semiconductor products and disclaimers thereto appears at the end of this data sheet.

LP7510 TPS3510
PC POWER SUPPLY SUPERVISORS

SLVS312 – JULY 2000

FUNCTION TABLE

PGI	$\overline{\text{PSON}}$	UV CONDITION (3.3 V OR 5 V)	OV CONDITION (3.3 V, 5 V, OR 12 V)	$\overline{\text{FPO}}$	PGO
<0.95 V	L	no	no	L	L
<0.95 V	L	no	yes	H	L
<0.95 V	L	yes	no	L	L
0.95 V < PGI < 1.15 V	L	no	no	L	L
0.95 V < PGI < 1.15 V	L	no	yes	H	L
0.95 V < PGI < 1.15 V	L	yes	no	H	L
PGI > 1.15 V	L	no	no	L	H
PGI > 1.15 V	L	no	yes	H	L
PGI > 1.15 V	L	yes	no	H	L
x	H	x	x	H	L

x = don't care

$\overline{\text{FPO}}$ = L means: fault IS NOT latched

$\overline{\text{FPO}}$ = H means: fault IS latched

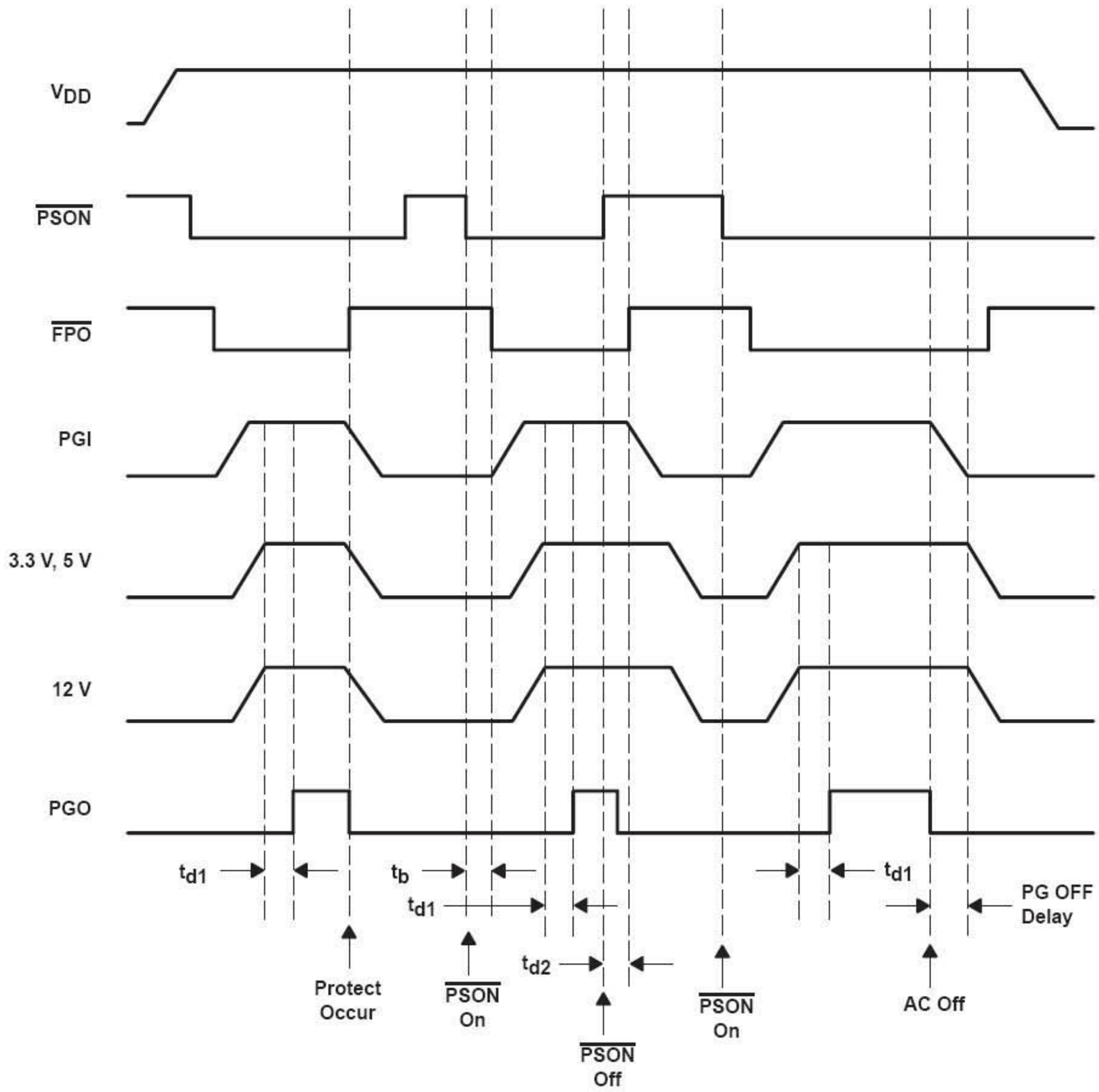
PGO = L means: fault

PGO = H means: NO fault

LP7510 TPS3510 PC POWER SUPPLY SUPERVISORS

SLVS312 – JULY 2000

timing diagram



Terminal Functions

TERMINAL NAME	NO.	I/O	DESCRIPTION
$\overline{\text{FPO}}$	3	O	Inverted fault protection output, open drain output stage
GND	2		Ground
PGI	1	I	Power good input
PGO	8	O	Power good output, open drain output stage
$\overline{\text{PSON}}$	4	I	ON/OFF control
V _{DD}	7	I	Supply voltage/12 V over-voltage protection input pin
VS33	5	I	3.3 V over/under-voltage protection
VS5	6	I	5 V over/under-voltage protection

detailed description

power good and power good delay

A PC power supply is commonly designed to provide a power-good signal, which is defined by the computer manufacturers. PGO is a power-good signal and should be asserted high by the PC power supply to indicate that the 5-V and 3.3-V outputs are above the under-voltage threshold limit. At this time the converter should be able to provide enough power to ensure continuous operation within the specification. Conversely, when either the 5-V or the 3.3-V output voltages fall below the under-voltage threshold, or when ac power has been removed for a time sufficiently long so that power supply operation is no longer ensured, PGO should be de-asserted to a low state.

Figure 1 represents the timing characteristics of the power good (PGO), dc enable ($\overline{\text{PSON}}$), and the 5 V/3.3 V supply rails.

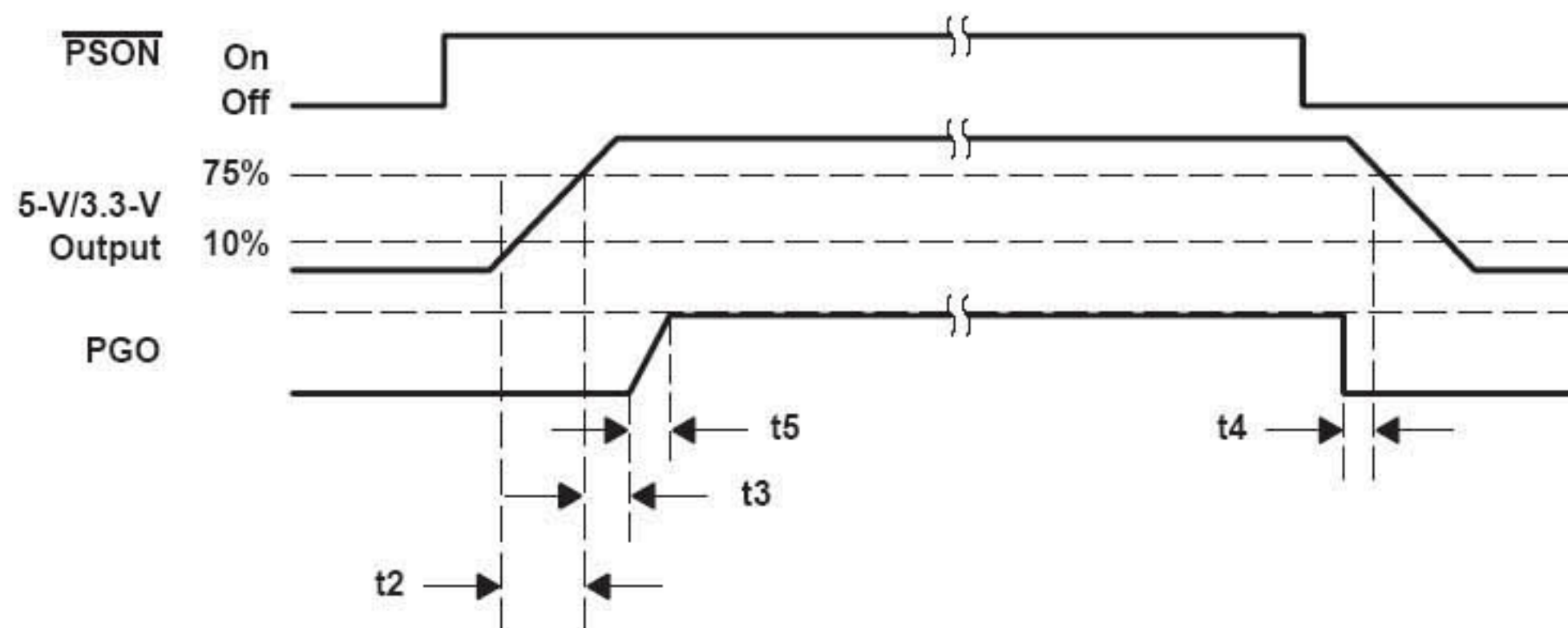


Figure 1. Timing of $\overline{\text{PSON}}$ and PGO

Although there is no requirement to meet specific timing parameters, the following signal timings are recommended:

$$2\text{ms} \leq t_2 \leq 20\text{ms}, 100\text{ms} < t_3 < 2000\text{ms}, t_4 > 1\text{ms}, t_5 \leq 10\text{ms}$$

Furthermore motherboards should be designed to comply with the previously recommended timing. If timings other than these are implemented or required, this information should be clearly specified.

The TPS3510 family of power-supply supervisors provides a power-good output (PGO) for the 3.3-V and 5-V supply voltage rails and a separate power-good input (PGI). An internal timer is used to generate a 300-ms power-good delay. If the voltage signals at PGI, VS33, and VS5 rise above the under-voltage threshold, the

LP7510 TPS3510 PC POWER SUPPLY SUPERVISORS

SLVS312 – JULY 2000

open-drain power-good output (PGO) goes high after a delay of 300 ms. When the PGI voltage or either the 3.3-V and 5-V power rails drops below the under-voltage threshold, PGO is disabled immediately (after 150- μ s debounce).

power supply remote on/off ($\overline{\text{PSON}}$) and fault protect output ($\overline{\text{FPO}}$)

Since the latest personal computer generation focuses on easy turnon and power saving functions, the PC power supply requires two characteristics. One is a dc power supply remote on/off function, the other is standby voltage to achieve very low power consumption of the PC system. Thus the main power needs to be shut down.

The power supply remote on/off ($\overline{\text{PSON}}$) is an active low signal that turns on all of the main power rails including 3.3 V, 5 V, -5 V, 12 V, and -12 V power rails. When this signal is held high by the PC motherboard or left open circuited, the signal of the fault protect output ($\overline{\text{FPO}}$) also goes high. Thus, the main power rails should not deliver current and should be held at 0 V.

When the $\overline{\text{FPO}}$ signal is held high due to an occurring fault condition, the fault status is latched and the outputs of the main power rails should not deliver current but are held at 0 V. Toggling the power supply remote on/off ($\overline{\text{PSON}}$) from low to high resets the fault-protection latch. During this fault condition only the standby power is not affected.

When $\overline{\text{PSON}}$ goes from high to low or low to high, the 38-ms debounce block is active to avoid a glitch on the input that disables/enables the $\overline{\text{FPO}}$ output. During this period the under-voltage function is disabled for 75 ms to prevent turnon failure. At turnoff, there is an additional delay of 2.3 ms from $\overline{\text{PSON}}$ to $\overline{\text{FPO}}$.

Power should be delivered to the rails only if the $\overline{\text{PSON}}$ signal is held at ground potential, thus $\overline{\text{FPO}}$ is active-low. The $\overline{\text{FPO}}$ pin can be connected to 5 V (or up to 15 V) through a pullup resistor.

under-voltage protection

The TPS3510 provides under-voltage protection (UVP) for the 3.3-V and 5-V rails. When an under voltage condition appears at either one of the 3.3-V (VS33) or 5-V (VS5) input pins for more than 146 μ s, the $\overline{\text{FPO}}$ output goes high and PGO goes low. Also, this fault condition is latched until $\overline{\text{PSON}}$ is toggled from low to high or V_{DD} is removed.

The need for under voltage protection is often overlooked in off-line switching power supply system design. But it is very important in battery-powered or hand-held equipment since the TTL or CMOS logic often results in malfunction.

In flyback or forward-type off-line switching power supplies, usually designed for low power, the over-load protection design is very simple. Most of these types of power supplies are only sensing the input current for an overload condition. The trigger point needs to be set much higher than the maximum load in order to prevent false turnon.

However, this causes one critical problem. If the connected load is larger than the maximum allowable load but smaller than the trigger point, the system always becomes overheated with failure and damage occurring.

over-voltage protection

The over voltage protection (OVP) of TPS3510 monitors 3.3 V, 5 V, and 12 V (12 V is sensed via the V_{DD} pin). When an over-voltage condition appears at one of the 3.3-V, 5-V, or 12-V input pins for more than 73 μ s, the $\overline{\text{FPO}}$ output goes high and PGO goes low. Also, this fault condition is latched until $\overline{\text{PSON}}$ is toggled from low to high or V_{DD} is removed. During fault conditions, most power supplies have the potential to deliver higher output voltages than those normally specified or required. In unprotected equipment, it is possible for output voltages to be high enough to cause internal or external damage of the system. To protect the system under these abnormal conditions, it is common practice to provide over-voltage protection within the power supply.

LP7510 TPS3510 PC POWER SUPPLY SUPERVISORS

SLVS312 – JULY 2000

electrical characteristics over recommended operating conditions (unless otherwise noted)

over-voltage protection

PARAMETER		TEST CONDITIONS	MIN	TYP	MAX	UNIT
Over-voltage threshold	VS33		3.7	3.9	4.1	V
	VS5		5.7	6.1	6.5	
	V _{DD}		13.2	13.8	14.4	
I _{LKG}	Leakage current (\overline{FPO})	V(\overline{FPO}) = 5 V			5	μA
V _{OL}	Low-level output voltage (\overline{FPO})	V _{DD} = 5 V, I _{sink} = 20 mA			0.7	V
	Noise deglitch time OVP	V _{DD} = 5 V	35	73	110	μs

PGI and PGO

PARAMETER		TEST CONDITIONS	MIN	TYP	MAX	UNIT	
V _{PGI}	Input threshold voltage (PGI)	PGI1	1.1	1.15	1.2	V	
		PGI2	0.9	0.95	1		
V _{IT}	Under-voltage threshold	VS33	2	2.2	2.4	V	
		VS5	3.3	3.5	3.7		
I _{LKG}	Leakage current (PGO)	PGO = 5 V			5	μA	
V _{OL}	Low-level output voltage (PGO)	V _{DD} = 4 V, I _{sink} = 10 mA			0.4	V	
	Short-circuit protection delay	3.3 V, 5 V	49	75	114	ms	
t _{d1}	Delay time	PGI to PGO	V _{DD} = 5 V	200	300	450	ms
		PGI to \overline{FPO}		3.2	4.8	7.2	
	Noise deglitch time	PGI to PGO	V _{DD} = 5 V	88	150	225	μs
		PGI to \overline{FPO}		180	296	445	
		UVP to \overline{FPO}		82	146	220	

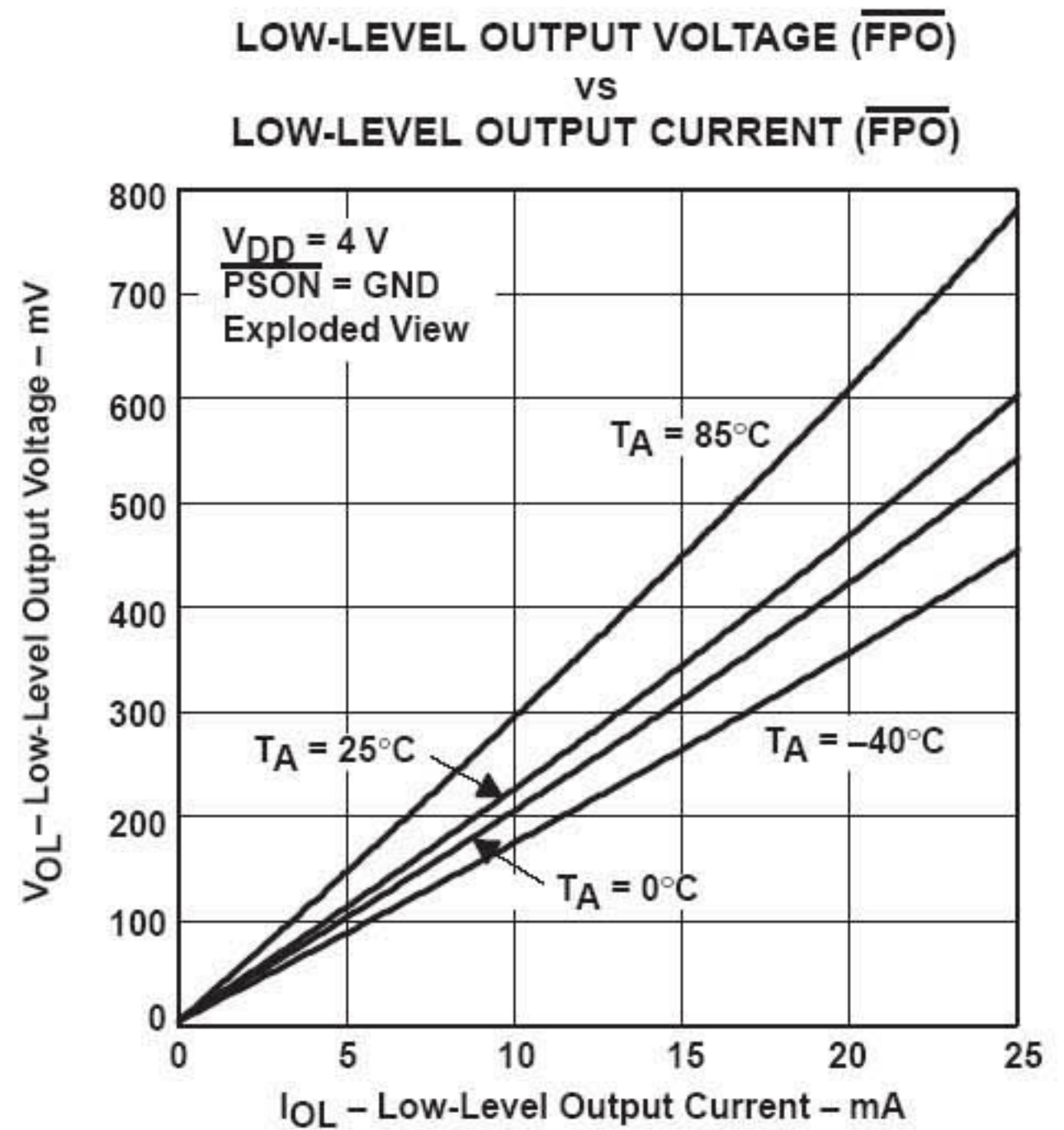
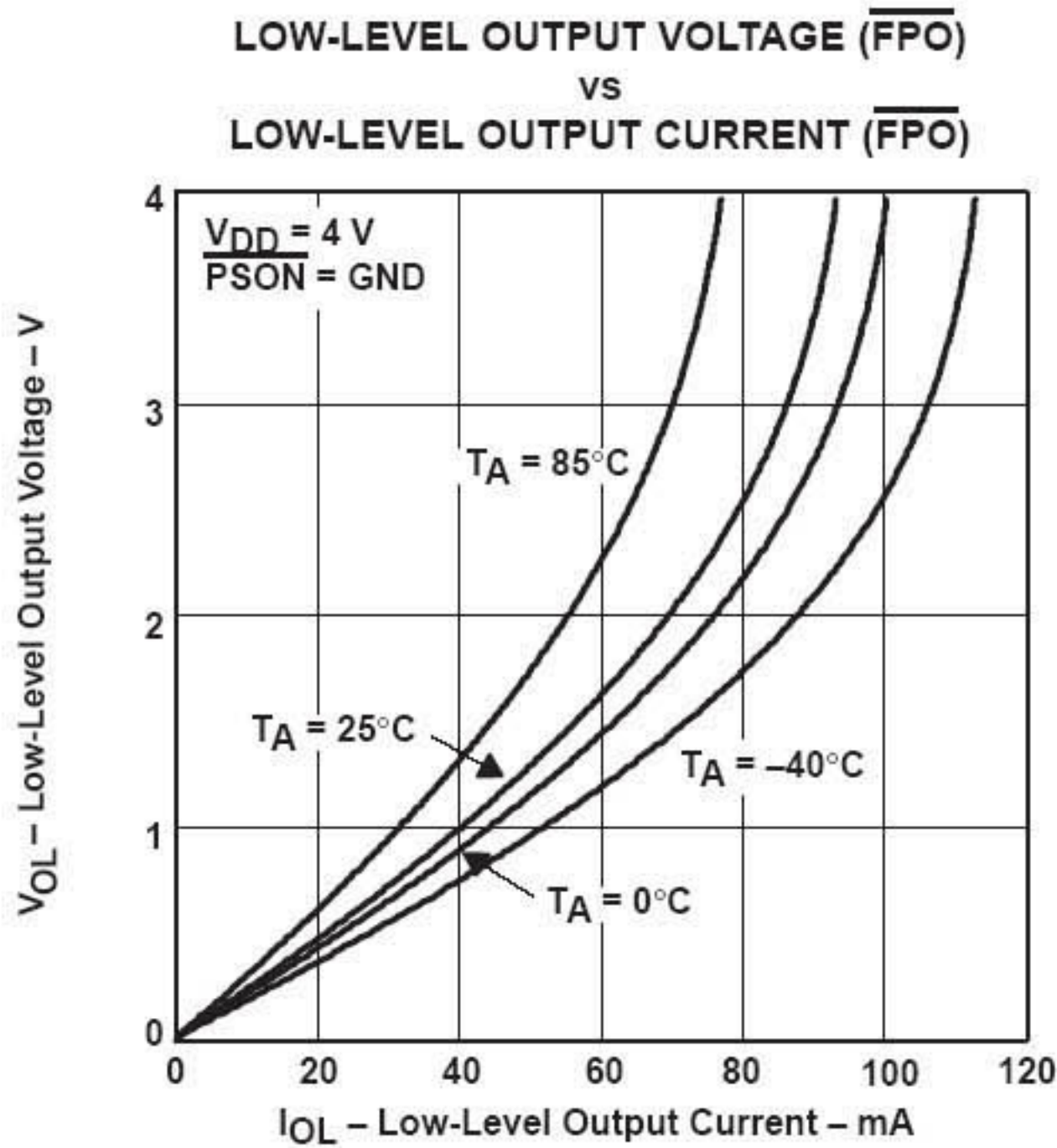
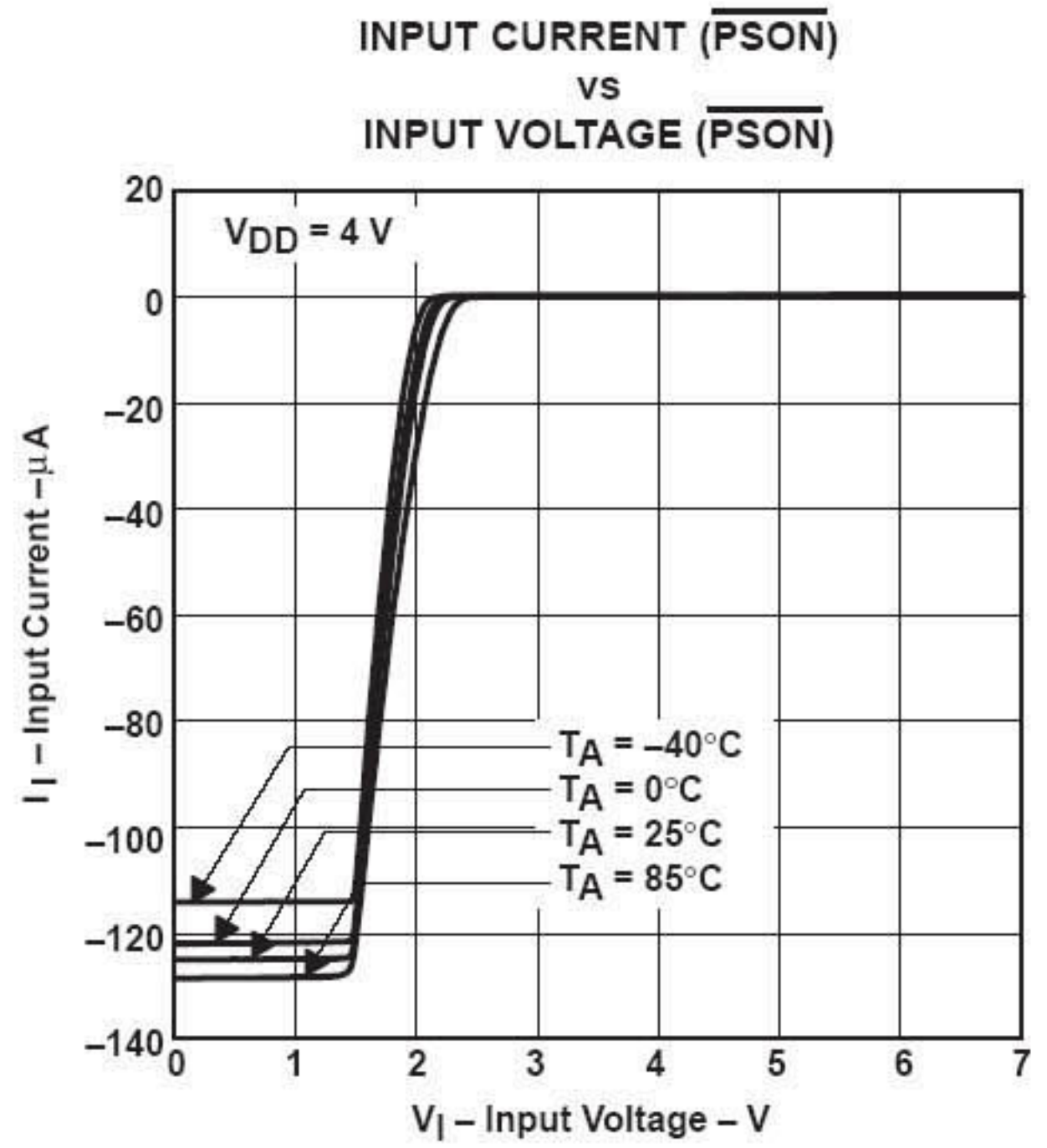
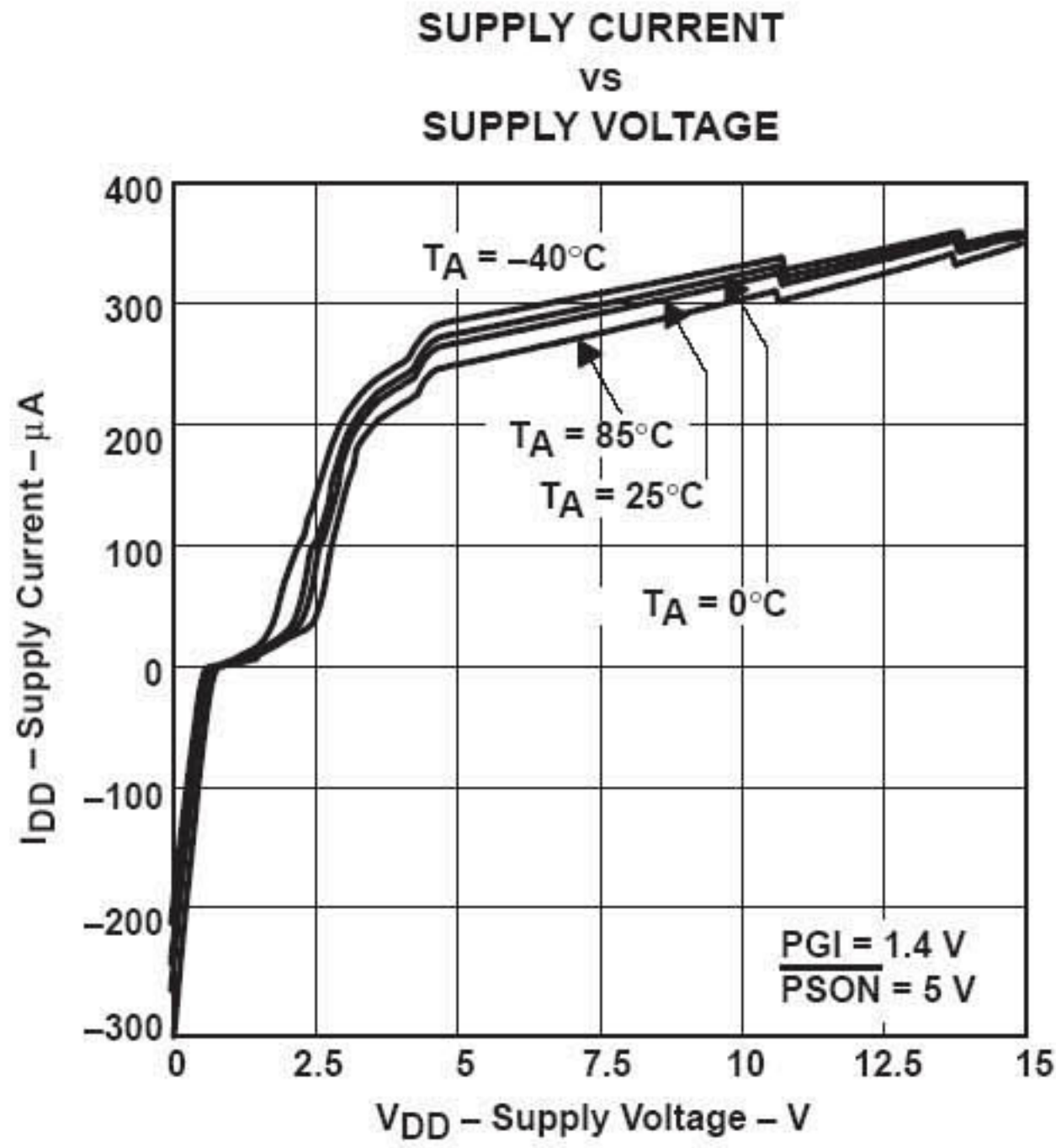
PSON control

PARAMETER		TEST CONDITIONS	MIN	TYP	MAX	UNIT
I _I	Input pullup current	\overline{PSON} = 0 V		120		μA
V _{IH}	High-level input voltage		2.4			V
V _{IL}	Low-level input voltage				1.2	V
t _b	Debounce time (\overline{PSON})	V _{DD} = 5 V	24	38	57	ms
t _{d2}	Delay time (\overline{PSON} to \overline{FPO})	V _{DD} = 5 V	t _b +1.1	t _b +2.3	t _b +4	ms

total device

PARAMETER		TEST CONDITIONS	MIN	TYP	MAX	UNIT
I _{DD}	Supply current	\overline{PSON} = 5 V			1	mA

TYPICAL CHARACTERISTICS



TYPICAL CHARACTERISTICS

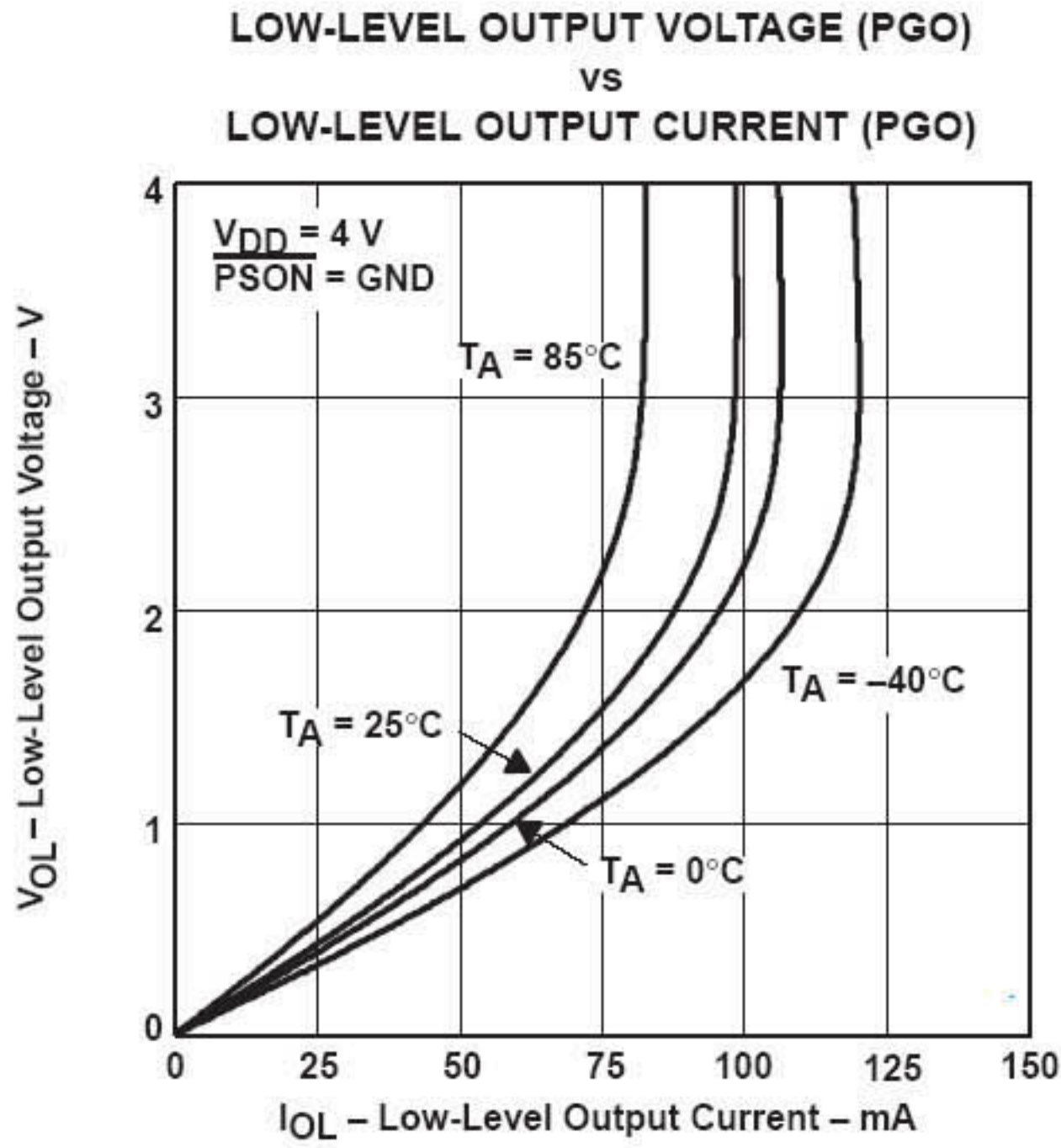


Figure 6

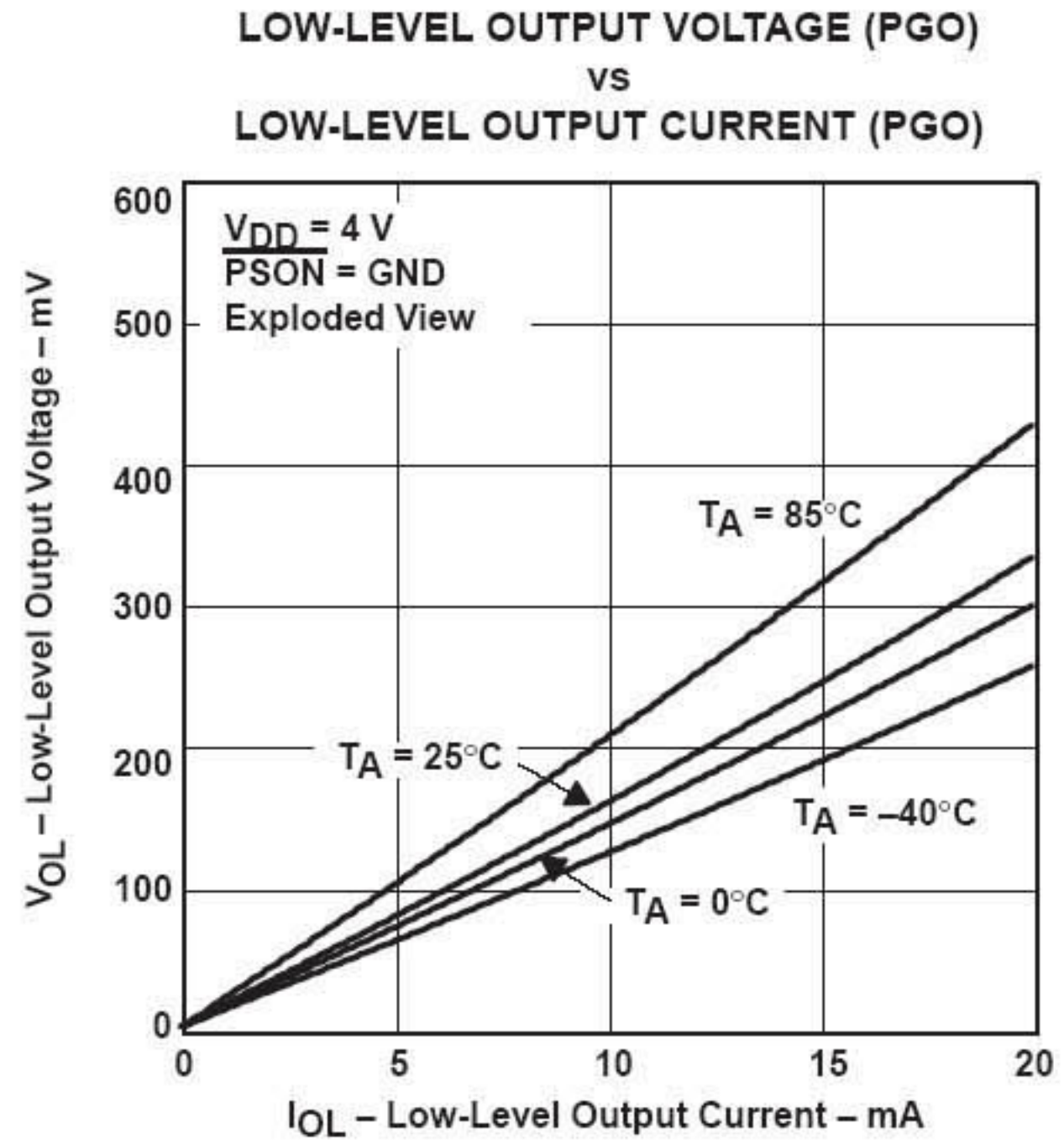


Figure 7

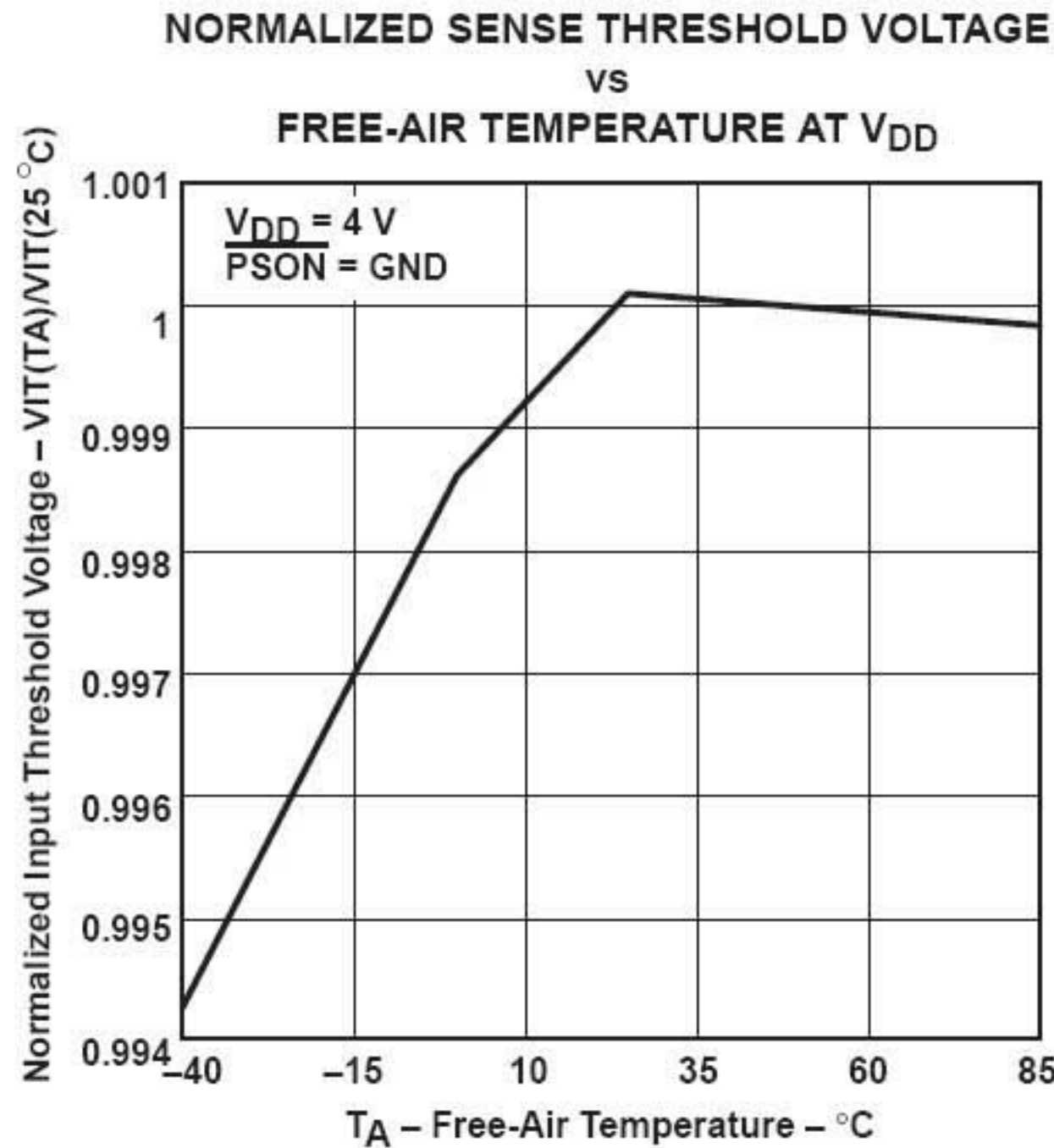


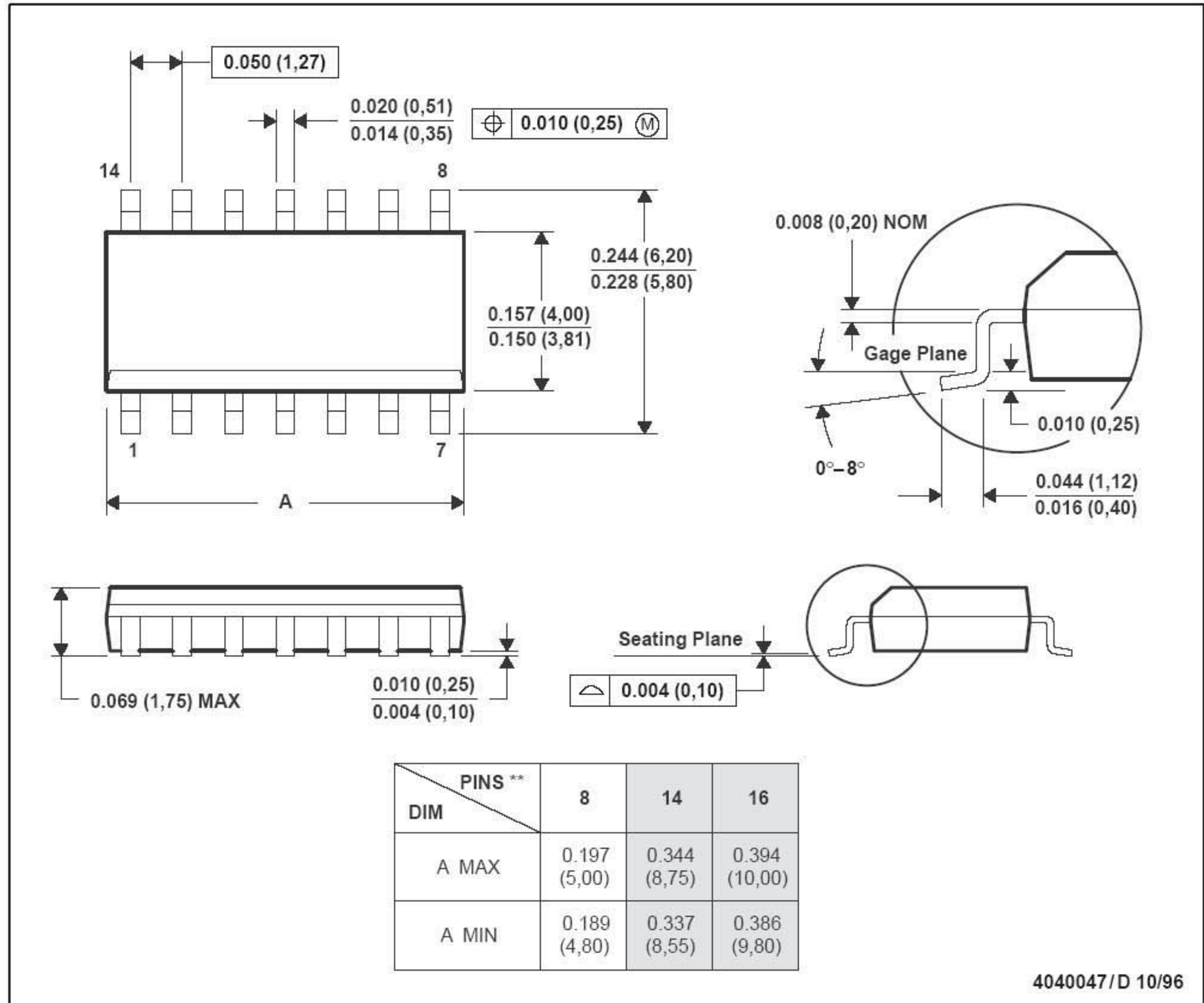
Figure 8

MECHANICAL DATA

D (R-PDSO-G**)

PLASTIC SMALL-OUTLINE PACKAGE

14 PINS SHOWN



- NOTES: A. All linear dimensions are in inches (millimeters).
 B. This drawing is subject to change without notice.
 C. Body dimensions do not include mold flash or protrusion, not to exceed 0.006 (0,15).
 D. Falls within JEDEC MS-012

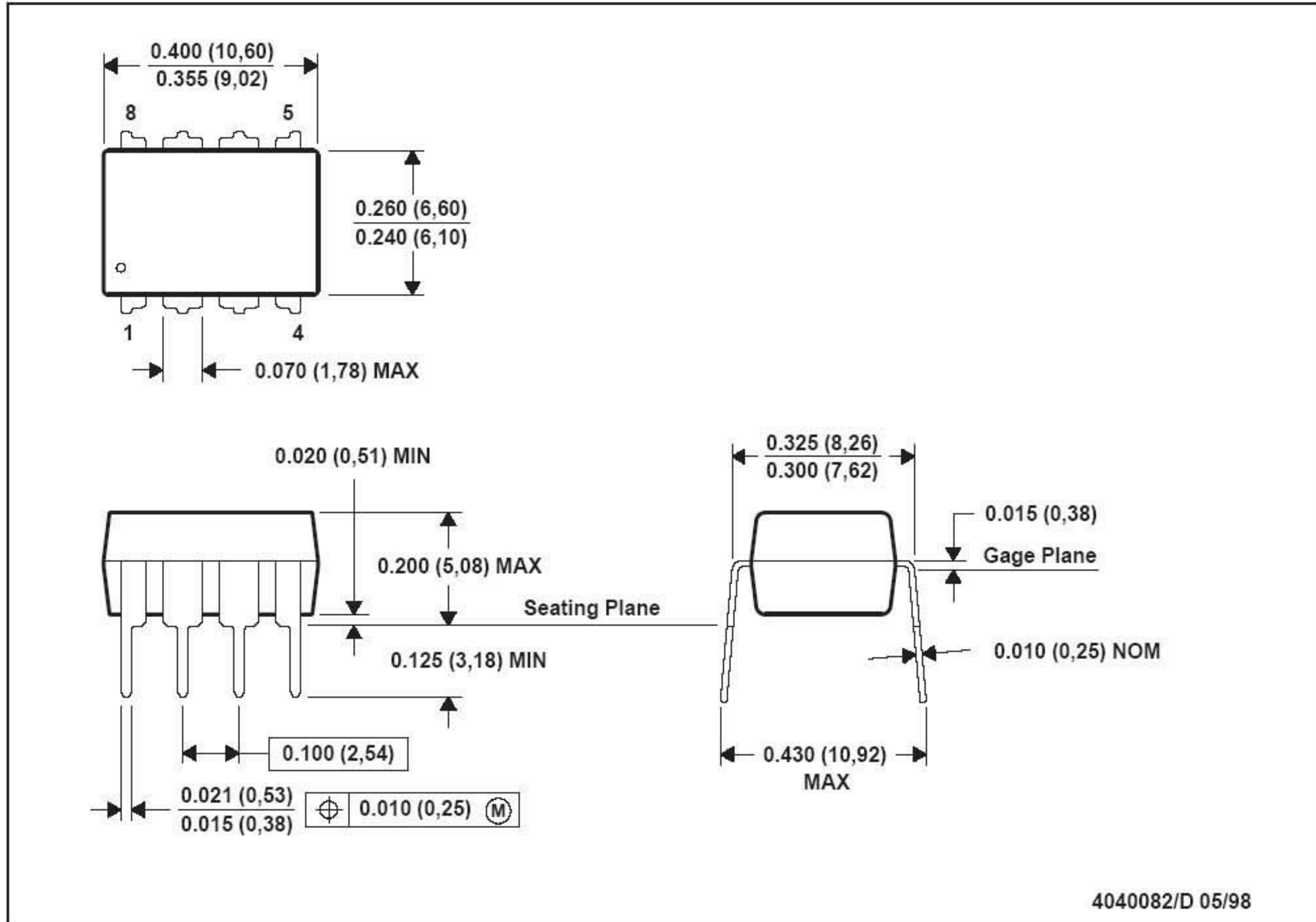
**LP7510 TPS3510
PC POWER SUPPLY SUPERVISORS**

SLVS312 – JULY 2000

MECHANICAL DATA

P (R-PDIP-T8)

PLASTIC DUAL-IN-LINE



- NOTES: A. All linear dimensions are in inches (millimeters).
 B. This drawing is subject to change without notice.
 C. Falls within JEDEC MS-001

For the latest package information, go to http://www.ti.com/sc/docs/package/pkg_info.htm