




Product Specification

AU OPTRONICS CORPORATION

(V) Preliminary Specifications

() Final Specifications

| | |
|---|---|
| Module | 13.3" WXGA Color TFT-LCD |
| Model Name | B133EW03 V1 |
| Note () | <i>LED Backlight without driving circuit design</i> |

| | |
|---|-------------|
| Customer | Date |
| Checked & Approved by | Date |
| _____ | _____ |
| Note: This Specification is subject to change without notice. | |

| | |
|---|-------------|
| Approved by | Date |
| NBBU Marketing Division / AU Optronics corporation | |



Contents

| | |
|--|-----------|
| 1. Handling Precautions | 4 |
| 2. General Description | 5 |
| 2.1 General Specification | 5 |
| 2.2 Optical Characteristics | 6 |
| 3. Functional Block Diagram | 11 |
| 4. Absolute Maximum Ratings | 12 |
| 4.1 Absolute Ratings of TFT LCD Module | 12 |
| 4.2 Absolute Ratings of Environment | 12 |
| 5. Electrical characteristics | 13 |
| 5.1 TFT LCD Module..... | 13 |
| 5.2 Backlight Unit | 15 |
| 6. Signal Characteristic | 16 |
| 6.1 Pixel Format Image | 16 |
| 6.2 The input data format | 17 |
| 6.3 Signal Description/Pin Assignment..... | 18 |
| 6.4 Interface Timing | 21 |
| 7. Connector Description | 24 |
| 7.1 TFT LCD Module..... | 24 |
| 8. LED Driving Specification | 25 |
| 8.1 Connector Description..... | 25 |
| 8.2 Pin Assignment..... | 25 |
| 9. Vibration and Shock Test | 26 |
| 9.1 Vibration Test | 26 |
| 9.2 Shock Test Spec:..... | 26 |
| 10. Reliability | 27 |
| 11. Mechanical Characteristics | 28 |
| 11.1 LCM Outline Dimension..... | 28 |
| 12. Shipping and Package | 30 |
| 12.1 Shipping Label Format..... | 30 |
| 12.2 Carton package | 31 |
| 11.3 Shipping package of palletizing sequence..... | 32 |
| 13. Appendix: EDID description | 33 |



Product Specification

AU OPTRONICS CORPORATION

Record of Revision

| Version and Date | Page | Old description | New Description | Remark |
|------------------|------|-----------------------------|-----------------------------|--------|
| 0.1 2008/01/28 | All | First Edition for Customer | | |
| 0.2 2008/02/04 | 33~ | EDID Change (B133EW03 V0) | EDID Change (B133EW03 V1) | |
| | | | | |
| | | | | |
| | | | | |
| | | | | |
| | | | | |

1. Handling Precautions

- 1) Since front polarizer is easily damaged, pay attention not to scratch it.
- 2) Be sure to turn off power supply when inserting or disconnecting from input connector.
- 3) Wipe off water drop immediately. Long contact with water may cause discoloration or spots.
- 4) When the panel surface is soiled, wipe it with absorbent cotton or other soft cloth.
- 5) Since the panel is made of glass, it may break or crack if dropped or bumped on hard surface.
- 6) Since CMOS LSI is used in this module, take care of static electricity and insure human earth when handling.
- 7) Do not open nor modify the Module Assembly.
- 8) Do not press the reflector sheet at the back of the module to any directions.
- 9) At the insertion or removal of the Signal Interface Connector, be sure not to rotate nor tilt the Interface Connector of the TFT Module.
- 11) After installation of the TFT Module into an enclosure (Notebook PC Bezel, for example), do not twist nor bend the TFT Module even momentary. At designing the enclosure, it should be taken into consideration that no bending/twisting forces are applied to the TFT Module from outside. Otherwise the TFT Module may be damaged.
- 12) Small amount of materials having no flammability grade is used in the LCD module. The LCD module should be supplied by power complied with requirements of Limited Power Source (IEC60950 or UL1950), or be applied exemption.
- 13) Disconnecting power supply before handling LCD modules, it can prevent electric shock, DO NOT TOUCH the electrode parts, cables, connectors and LED circuit part of TFT module that a LED light bar build in as a light source of back light unit. It can prevent electrostatic breakdown.



2. General Description

B133EW03 V1 is a Color Active Matrix Liquid Crystal Display composed of a TFT LCD panel, a driver circuit, and LED backlight system. The screen format is intended to support the WXGA (1280(H) x 800(V)) screen and 262k colors (RGB 6-bits data driver) with LED backlight driving circuit. All input signals are LVDS interface compatible.

B133EW03 V1 is designed for a display unit of notebook style personal computer and industrial machine.

2.1 General Specification

The following items are characteristics summary on the table at 25 °C condition:

| Items | Unit | Specifications | | | |
|--|----------------------|--|--------|--------|-------|
| Screen Diagonal | [mm] | 337.8 (13.3W") | | | |
| Active Area | [mm] | 286.08 X 178.8 | | | |
| Pixels H x V | | 1280x3(RGB) x 800 | | | |
| Pixel Pitch | [mm] | 0.2235X0.2235 | | | |
| Pixel Format | | R.G.B. Vertical Stripe | | | |
| Display Mode | | Normally White | | | |
| White Luminance (I_{LED}=16mA) (Note: I _{LED} is LED current) | [cd/m ²] | 300 typ. (160 points average) 250 min. (160 points average) | | | |
| Luminance Uniformity | | 1.25 max. (5 points) | | | |
| Contrast Ratio | | 500 typ , | | | |
| Response Time | [ms] | 20 typ / 25 Max | | | |
| Nominal Input Voltage VDD | [Volt] | +3.3 typ. | | | |
| Power Consumption | [Watt] | 4.2 typ. (Include Logic and Blu power) | | | |
| Weight | [Grams] | 219 max. | | | |
| Physical Size | [mm] | | L | W | T |
| | | Max | - | - | 3.045 |
| | | Typ | 297.15 | 203.15 | 2.86 |
| | | Min | - | - | - |
| Electrical Interface | | 1 channel LVDS | | | |
| Surface Treatment | | Glare, Hardness 3H, Reflection ~0.5% | | | |
| Support Color | | 262K colors (RGB 6-bit) | | | |



Product Specification

AU OPTRONICS CORPORATION

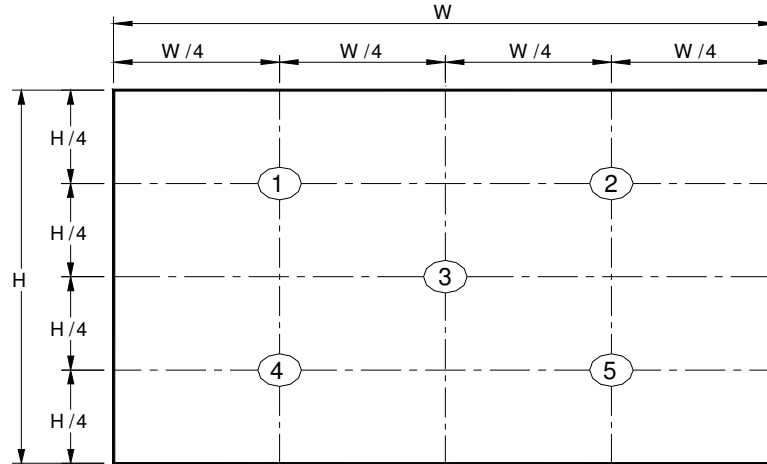
| | | |
|--------------------------------|------|-----------------|
| Temperature Range Operating | [°C] | 0 to +50 |
| Storage (Non-Operating) | [°C] | -25 to +65 |
| RoHS Compliance | | RoHS Compliance |

2.2 Optical Characteristics

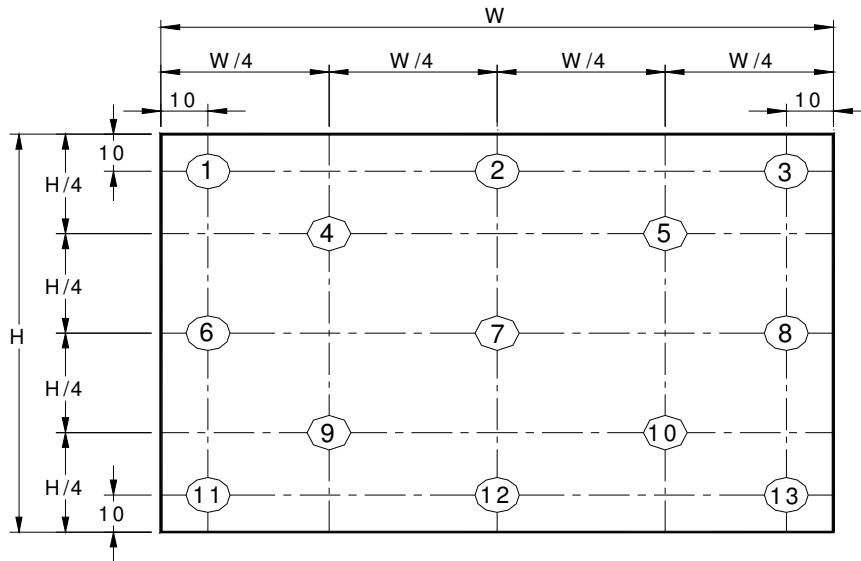
The optical characteristics are measured under stable conditions at 25°C (Room Temperature) :

| Item | Unit | Conditions | Min. | Typ. | Max. | Note |
|--|----------------------|--|-------|-------|-------|----------|
| White Luminance (ILED=16mA) | [cd/m ²] | 5 points average | 250 | 300 | - | 1, 4, 5. |
| Viewing Angle | [degree] | Horizontal (Right) CR = 10 (Left) | - | 75 | - | 4, 9 |
| | [degree] | | - | 75 | - | |
| | [degree] | Vertical (Upper) CR = 10 (Lower) | - | 60 | - | |
| | [degree] | | - | 60 | - | |
| Luminance Uniformity | | 5 Points | - | - | 1.25 | 1, 3, 4 |
| Luminance Uniformity | | 13 Points | - | - | 1.50 | 2, 3, 4 |
| CR: Contrast Ratio | | DCR:Off | 300 | 500 | - | 4, 6 |
| Cross talk | % | | | | 4 | 4, 7 |
| Response Time | [msec] | Rising | - | - | - | 4, 8 |
| | [msec] | Falling | - | - | - | |
| | [msec] | Rising + Falling | - | 20 | 25 | |
| Chromaticity of color Coordinates (CIE 1931) | | Red x | 0.575 | 0.600 | 0.625 | 4, 9 |
| | | Red y | 0.325 | 0.345 | 0.365 | |
| | | Green x | 0.300 | 0.320 | 0.340 | |
| | | Green y | 0.530 | 0.555 | 0.580 | |
| | | Blue x | 0.130 | 0.150 | 0.170 | |
| | | Blue y | 0.100 | 0.120 | 0.130 | |
| | | White x | 0.300 | 0.313 | 0.326 | |
| | White y | 0.316 | 0.329 | 0.342 | | |

Note 1: 5 points position (Ref: Active area)



Note 2: 13 points position (Ref: Active area)



Note 3: The luminance uniformity of 5 or 13 points is defined by dividing the maximum luminance values by the minimum test point luminance

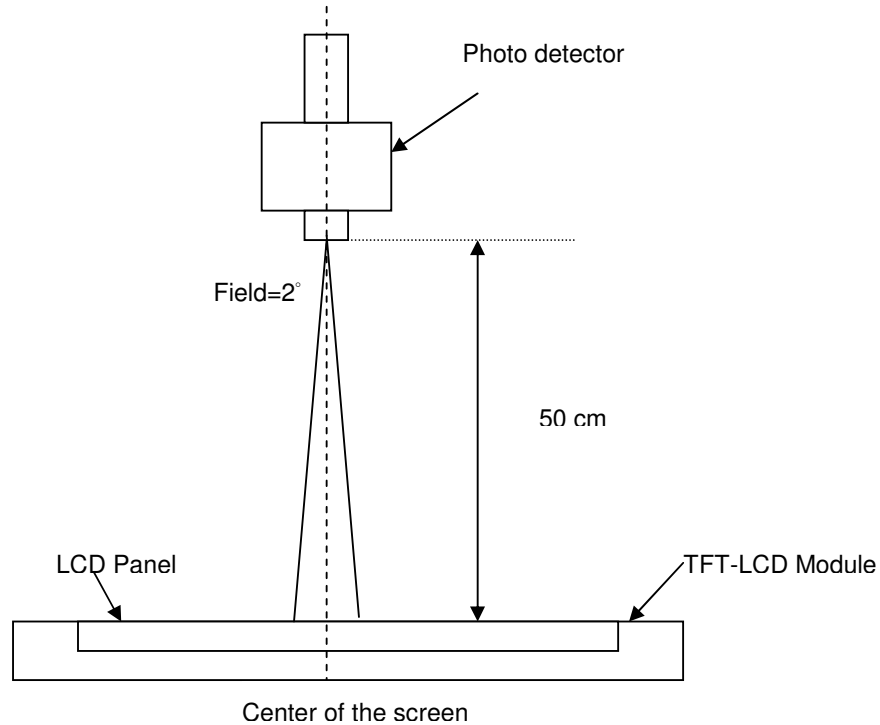
$$\delta_{w5} = \frac{\text{Maximum Brightness of five points}}{\text{Minimum Brightness of five points}}$$

$$\delta_{w13} = \frac{\text{Maximum Brightness of thirteen points}}{\text{Minimum Brightness of thirteen points}}$$

Note 4: Measurement method

The LCD module should be stabilized at given temperature for 30 minutes to avoid abrupt temperature change during measuring. In order to stabilize the luminance, the measurement should be executed after

lighting Backlight for 30 minutes in a stable, windless and dark room.



Note 5 : Definition of Average Luminance of White (Y_L):

Measure the luminance of gray level 63 at 5 points , $Y_L = [L (1)+ L (2)+ L (3)+ L (4)+ L (5)] / 5$

$L (x)$ is corresponding to the luminance of the point X at Figure in Note (1).

Note 6 : Definition of contrast ratio:

Contrast ratio is calculated with the following formula.

$$\text{Contrast ratio (CR)} = \frac{\text{Brightness on the "White" state}}{\text{Brightness on the "Black" state}}$$

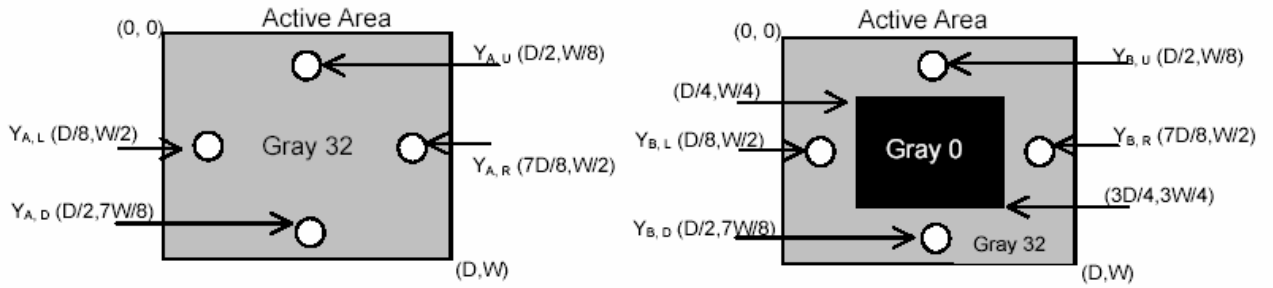
Note 7 : Definition of Cross Talk (CT)

$$CT = | Y_B - Y_A | / Y_A \times 100 (\%)$$

Where

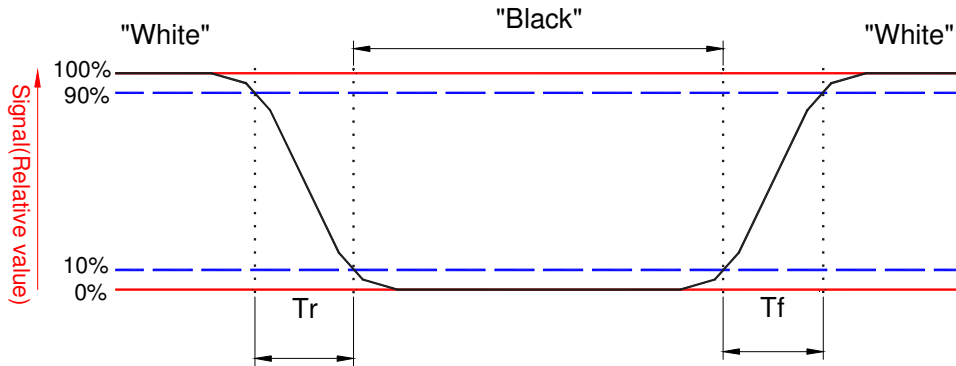
Y_A = Luminance of measured location without gray level 0 pattern (cd/m²)

Y_B = Luminance of measured location with gray level 0 pattern (cd/m²)



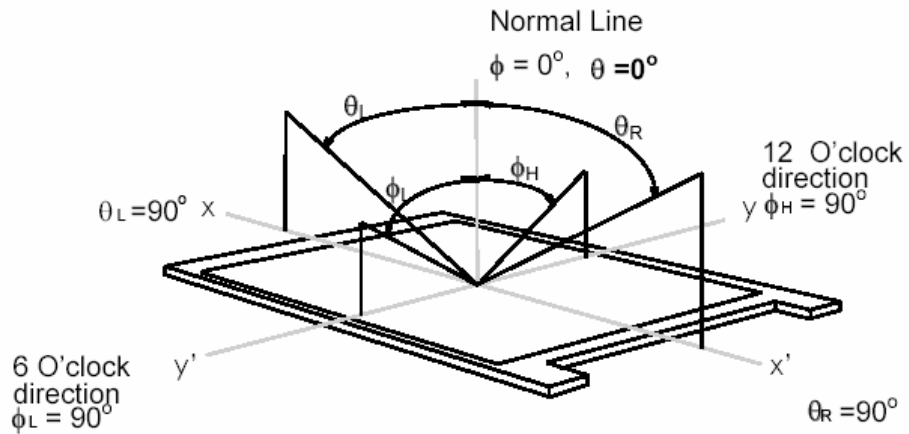
Note 8: Definition of response time:

The output signals of BM-7 or equivalent are measured when the input signals are changed from “Black” to “White” (falling time) and from “White” to “Black” (rising time), respectively. The response time interval between the 10% and 90% of amplitudes. Refer to figure as below.



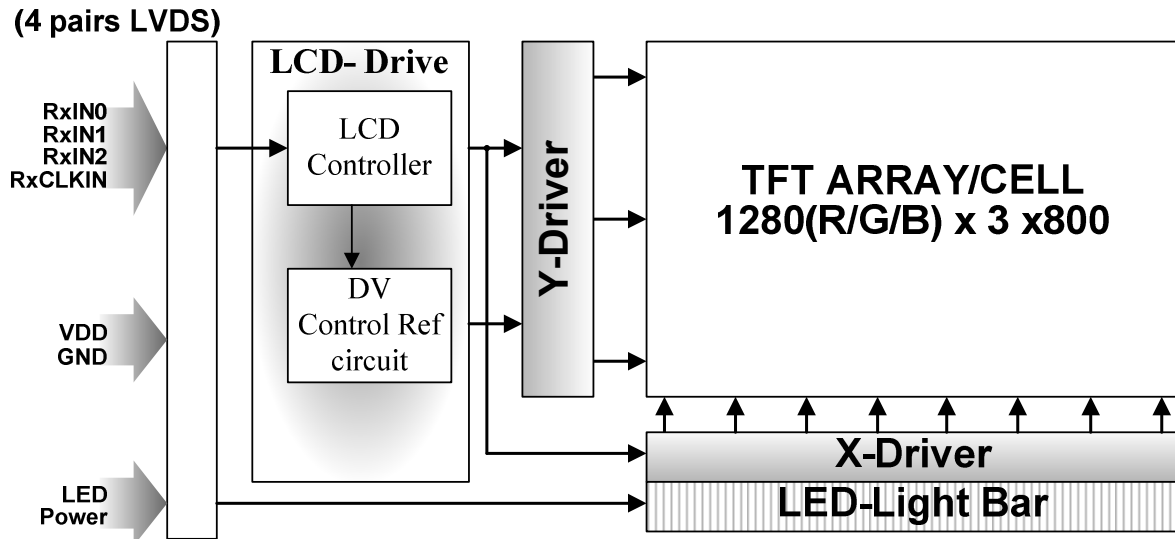
Note 9. Definition of viewing angle

Viewing angle is the measurement of contrast ratio ≥ 10 , at the screen center, over a 180° horizontal and 180° vertical range (off-normal viewing angles). The 180° viewing angle range is broken down as follows; 90° (θ) horizontal left and right and 90° (Φ) vertical, high (up) and low (down). The measurement direction is typically perpendicular to the display surface with the screen rotated about its center to develop the desired measurement viewing angle.



3. Functional Block Diagram

The following diagram shows the functional block of the 13.3 inches wide Color TFT/LCD Module:



IPEX 20347-330E-12

4. Absolute Maximum Ratings

An absolute maximum rating of the module is as following:

4.1 Absolute Ratings of TFT LCD Module

| Item | Symbol | Min | Max | Unit | Conditions |
|-------------------------|--------|------|------|--------|------------|
| Logic/LCD Drive Voltage | Vin | -0.3 | +4.0 | [Volt] | Note 1,2 |

4.2 Absolute Ratings of Environment

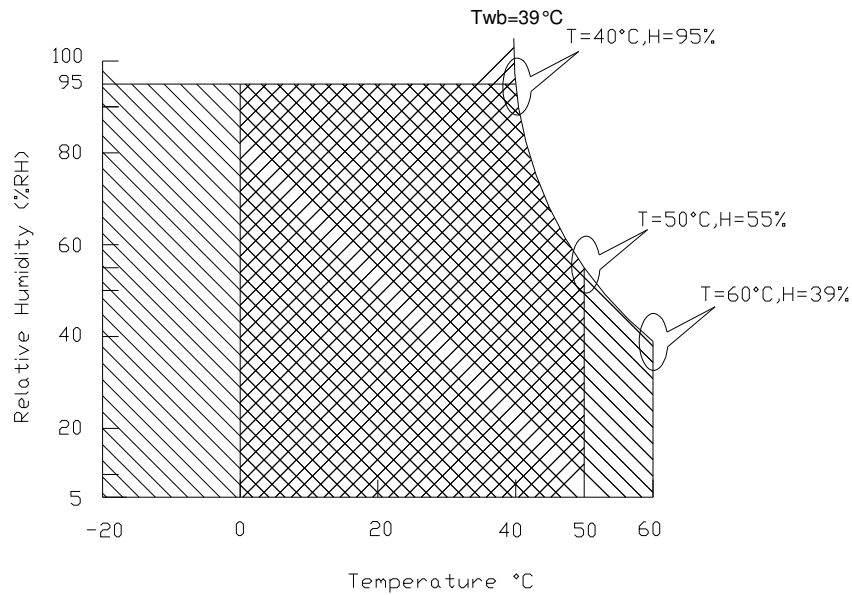
| Item | Symbol | Min | Max | Unit | Conditions |
|-----------------------|--------|-----|-----|-------|------------|
| Operating Temperature | TOP | 0 | +50 | [°C] | Note 4 |
| Operation Humidity | HOP | 10 | 90 | [%RH] | Note 4 |
| Storage Temperature | TST | -25 | +65 | [°C] | Note 4 |
| Storage Humidity | HST | 10 | 90 | [%RH] | Note 4 |

Note 1: At Ta (25°C)

Note 2: Permanent damage to the device may occur if exceed maximum values

Note 3: LED specification refer to section 5.2

Note 4: For quality performance, please refer to AUO IIS (Incoming Inspection Standard).



Operating Range

Storage Range +

5. Electrical characteristics

5.1 TFT LCD Module

5.1.1 Power Specification

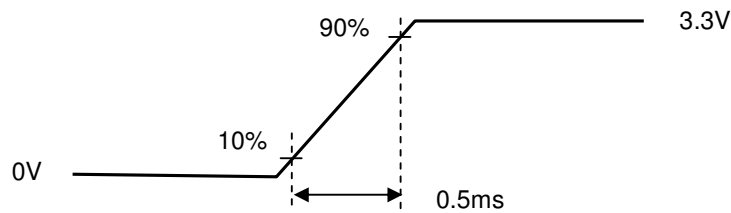
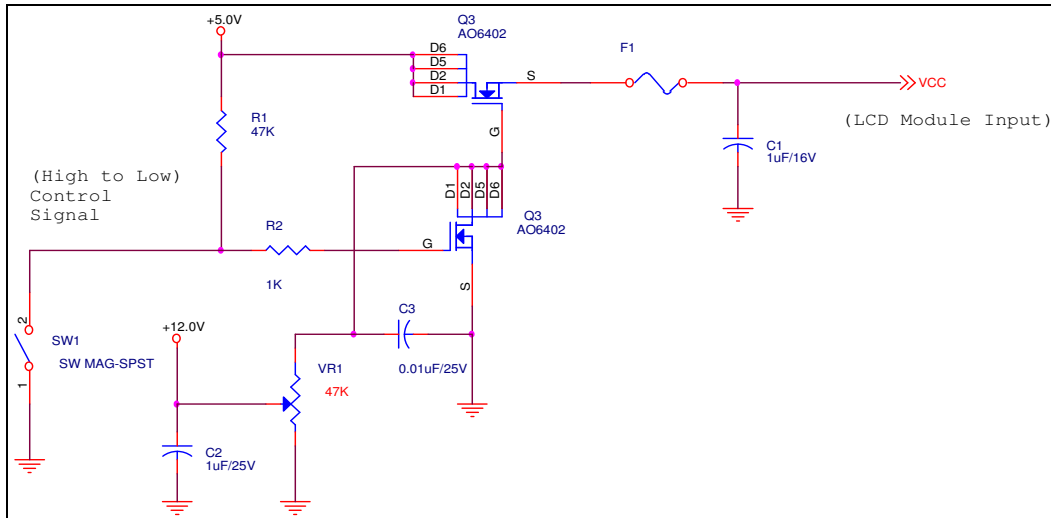
Input power specifications are as follows;

| Symble | Parameter | Min | Typ | Max | Units | Note |
|--------|--|-----|-----|------|----------|----------|
| VDD | Logic/LCD Drive Voltage | 3.0 | 3.3 | 3.6 | [Volt] | |
| PDD | VDD Power | - | - | 0.90 | [Watt] | Note 1/2 |
| IDD | IDD Current | - | 220 | 250 | [mA] | Note 1/2 |
| IRush | Inrush Current | - | - | 1500 | [mA] | Note 3 |
| VDDrp | Allowable Logic/LCD Drive Ripple Voltage | - | - | 100 | [mV] p-p | |

Note 1 : Maximum Measurement Condition : Black Pattern

Note 2 : Typical Measurement Condition: Mosaic Pattern

Note 3 : Measure Condition



Vin rising time

5.1.2 Signal Electrical Characteristics

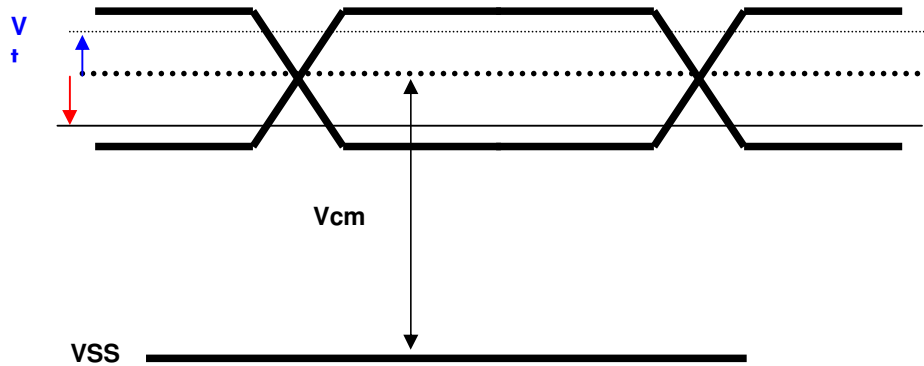
Input signals shall be low or High-impedance state when VDD is off.

It is recommended to refer the specifications of THC63LVDF84A (Thine Electronics Inc.) in detail.

Signal electrical characteristics are as follows;

| Parameter | Condition | Min | Max | Unit |
|-----------|---|-------|-------|------|
| Vth | Differential Input High Threshold (Vcm=+1.2V) | - | 100 | [mV] |
| Vtl | Differential Input Low Threshold (Vcm=+1.2V) | -100 | - | [mV] |
| Vcm | Differential Input Common Mode Voltage | 1.125 | 1.375 | [V] |

Note: LVDS Signal Waveform





5.2 Backlight Unit

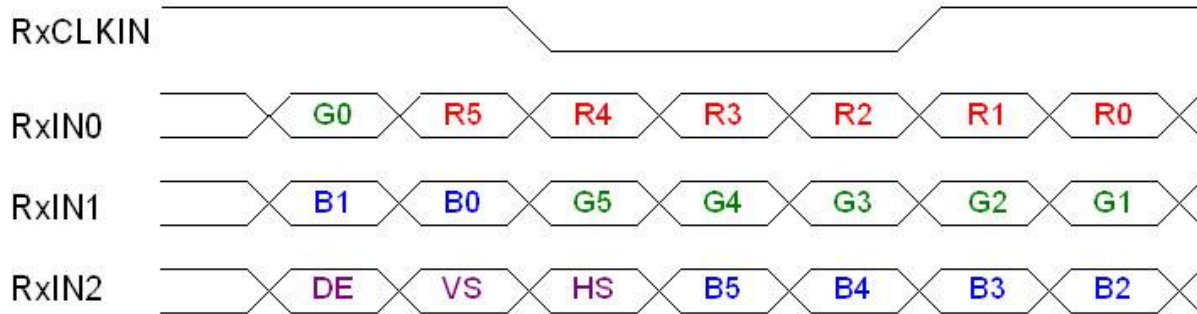
LED Parameter guideline for LED driving selection

| Parameter | Symbol | Min | Typ | Max | Units | Condition |
|-----------------------|-----------|--------|------|-----|--------|--|
| LED Forward Voltage | V_F | 3.0 | 3.2 | 3.3 | [Volt] | ($T_a=25^\circ\text{C}$) |
| LED Forward Current | I_F | | 16 | 30 | [mA] | ($T_a=25^\circ\text{C}$) |
| LED Power consumption | P_{LED} | | 2.76 | | [Watt] | ($T_a=25^\circ\text{C}$) Note 1 |
| LED Life-Time | N/A | 10,000 | - | - | Hour | ($T_a=25^\circ\text{C}$) $I_F=16\text{ mA}$ Note 2 |

Note 1: Calculator value for reference $P_{LED} = I_F \times V_F \times LED(Qty)$

Note 2: The LED life-time define as the estimated time to 50% degradation of initial luminous.

6.2 The input data format



| Signal Name | Description | |
|----------------------------------|--|--|
| R5 R4 R3 R2 R1 R0 | Red Data 5 (MSB) Red Data 4 Red Data 3 Red Data 2 Red Data 1 Red Data 0 (LSB) | Red-pixel Data Each red pixel's brightness data consists of these 6 bits pixel data. |
| G5 G4 G3 G2 G1 G0 | Green Data 5 (MSB) Green Data 4 Green Data 3 Green Data 2 Green Data 1 Green Data 0 (LSB) | Green-pixel Data Each green pixel's brightness data consists of these 6 bits pixel data. |
| B5 B4 B3 B2 B1 B0 | Blue Data 5 (MSB) Blue Data 4 Blue Data 3 Blue Data 2 Blue Data 1 Blue Data 0 (LSB) | Blue-pixel Data Each blue pixel's brightness data consists of these 6 bits pixel data. |
| RxCLKIN | Data Clock | The typical frequency is 68.9 MHz. The signal is used to strobe the pixel data and DE signals. All pixel data shall be valid at the falling edge when the DE signal is high. |
| DE | Display Timing | This signal is strobed at the falling edge of RxCLKIN. When the signal is high, the pixel data shall be valid to be displayed. |
| VS | Vertical Sync | The signal is synchronized to RxCLKIN. |
| HS | Horizontal Sync | The signal is synchronized to RxCLKIN. |

Note: Output signals from any system shall be low or High-impedance state when VDD is off.



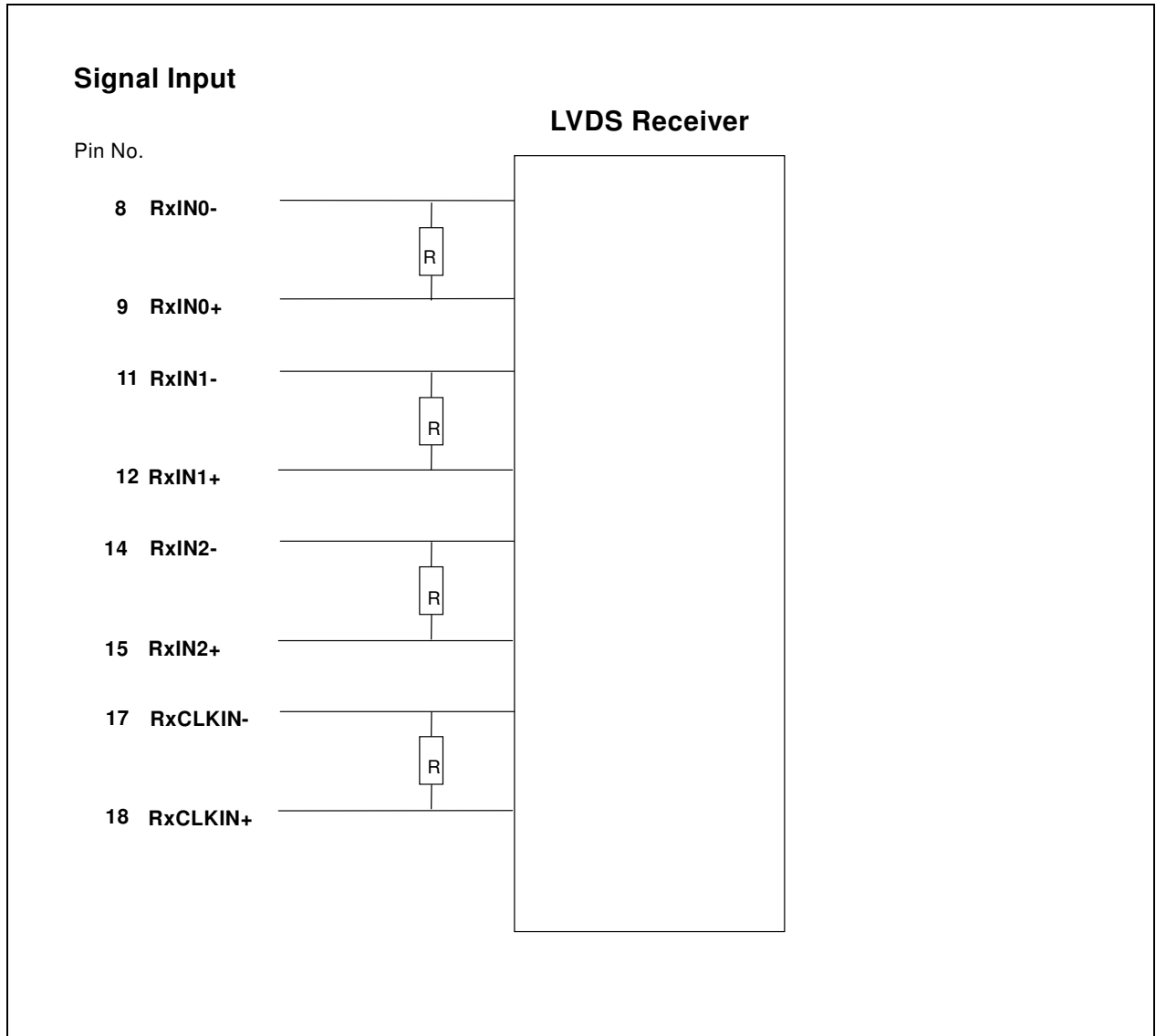
6.3 Integration Interface and Pin Assignment

LVDS is a differential signal technology for LCD interface and high speed data transfer device.

| Pin | Signal | Description |
|-----|----------|----------------------------|
| 1 | GND | Ground |
| 2 | VDD | Power Supply (+3.3V) |
| 3 | VDD | Power Supply (+3.3V) |
| 4 | VDDedid | DCC Power (+3.3V) |
| 5 | AG_IN | Reserve for AUO aging test |
| 6 | CLKdeid | DDC clock |
| 7 | DATAedid | DDC Data |
| 8 | ORXIN0N | Differential clock input |
| 9 | ORXIN0P | Differential clock input |
| 10 | GND | Ground |
| 11 | ORXIN1N | Differential clock input |
| 12 | ORXIN1P | Differential clock input |
| 13 | GND | Ground |
| 14 | ORXIN2N | Differential clock input |
| 15 | ORXIN2P | Differential clock input |
| 16 | GND | Ground |
| 17 | ORXIN3N | Differential clock input |
| 18 | ORXIN3P | Differential clock input |
| 19 | GND | Ground |
| 20 | NC | No Connection |
| 21 | VOUT | LED Anode (Positive) |
| 22 | VOUT | LED Anode (Positive) |
| 23 | NC | No Connection |
| 24 | FB1 | LED Cathode (Negative) |
| 25 | FB2 | LED Cathode (Negative) |
| 26 | FB3 | LED Cathode (Negative) |
| 27 | FB4 | LED Cathode (Negative) |
| 28 | FB5 | LED Cathode (Negative) |
| 29 | FB6 | LED Cathode (Negative) |
| 30 | NC | No Connection |

Note2: Input signals shall be low or High-impedance state when VDD is off.
 internal circuit of LVDS inputs are as following.

The module uses a 100ohm resistor between positive and negative data lines of each receiver input



6.4 Interface Timing

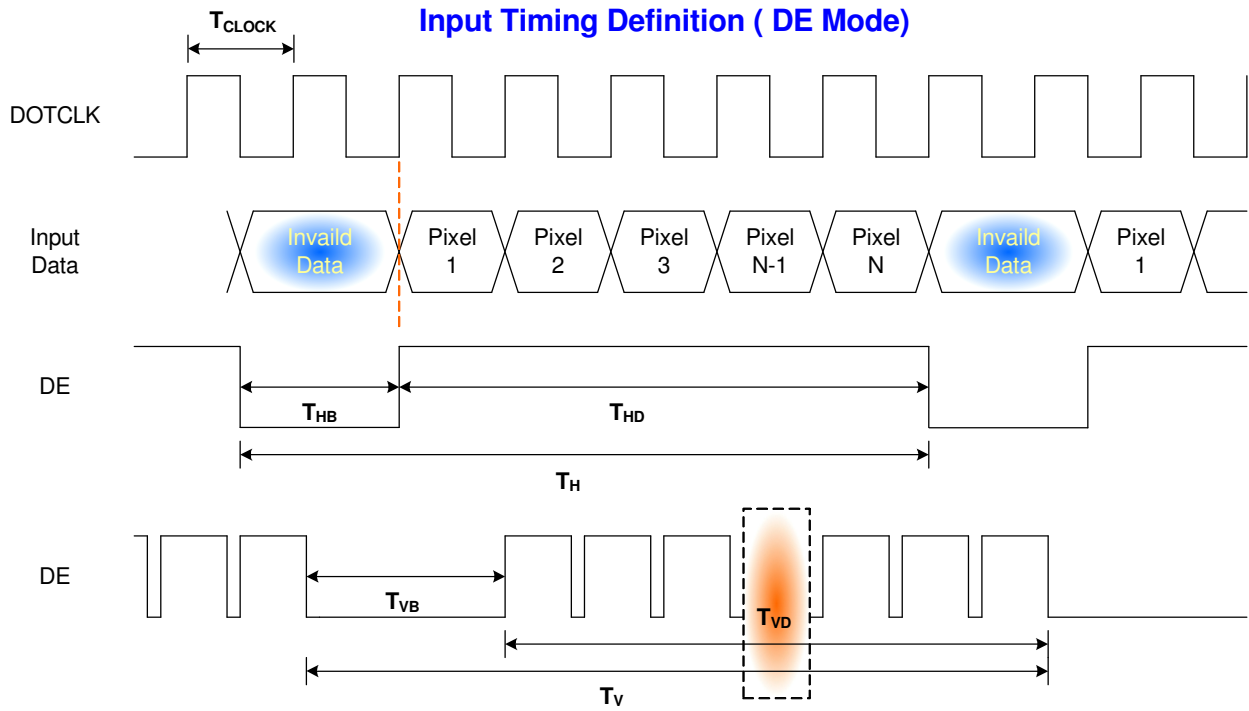
6.4.1 Timing Characteristics

Basically, interface timings should match the 1280x800 /60Hz manufacturing guide line timing.

| Signal | Parameter | Symbol | Min | Typ | Max | Unit | Note |
|-------------------|-------------------------------|------------------|------|-------|------|----------------|-----------------------------|
| D _{CLK} | Clock Period | T _C | | 14.06 | | ns | 1 |
| | Clock Frequency | f _C | | 71.1 | 72 | MHz | 1/T _C |
| DE | | | | | | | 2 |
| | Horizontal Period | T _H | 1440 | 1440 | | T _C | |
| | Horizontal Blank Period | T _{Ha} | 160 | 160 | | T _C | f _V =59.99 Hz, 3 |
| | Vertical Period | T _V | 808 | 823 | | T _H | |
| | Vertical Blank Period | T _{Vwb} | 8 | 23 | | T _H | |
| H _{sync} | H _{sync} Back Porch | H _{bp} | | 80 | | T _C | |
| | H _{sync} Pulse Width | T _{WH} | | 32 | | T _C | |
| | H _{sync} Front Porch | H _{fp} | | 48 | | T _C | |
| | Horizontal Active Period | T _{HD} | 1280 | 1280 | 1280 | T _C | Display Period |
| V _{sync} | V _{sync} Back Porch | V _{bp} | | 14 | | T _H | |
| | V _{sync} Pulse Width | T _{WV} | | 6 | | T _H | |
| | V _{sync} Front Porch | V _{fp} | | 3 | | T _H | |
| | Vertical Active Period | T _{VD} | 800 | 800 | 800 | T _H | Display Period |

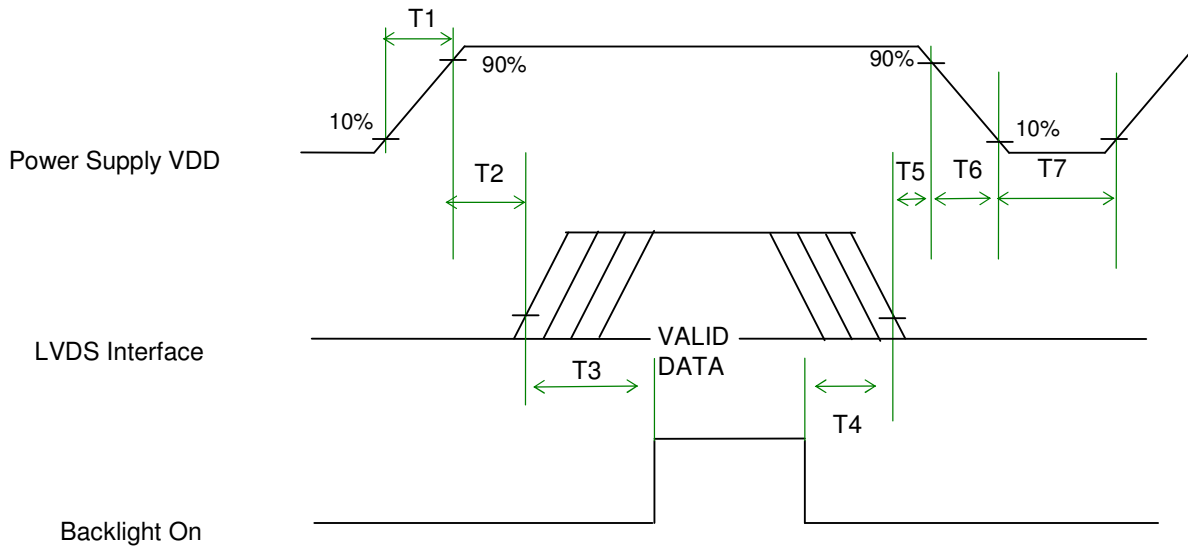
Note : DE mode only

6.4.2 Timing diagram



6.5 Power ON/OFF Sequence

LED on/off sequence is as follows. Interface signals are also shown in the chart.



Power Sequence Timing

| Parameter | Value | | | Units |
|-----------|-------|------|------|-------|
| | Min. | Typ. | Max. | |
| T1 | 0.15 | - | 10 | (ms) |
| T2 | 0 | 20 | 50 | (ms) |
| T3 | 200 | 250 | - | (ms) |
| T4 | 200 | 250 | - | (ms) |
| T5 | 0 | 20 | 50 | (ms) |
| T6 | - | - | 5 | (ms) |
| T7 | 500 | - | - | (ms) |

Note: The duty of LED dimming signal should be more than 20% in T2 and T3.



7. Connector Description

Physical interface is described as for the connector on module.

These connectors are capable of accommodating the following signals and will be following components.

7.1 TFT LCD Module

| Connector Name / Designation | For Signal Connector |
|------------------------------|---------------------------|
| Manufacturer | IPEX |
| Type / Part Number | IPEX 20347-330E-12 |
| Mating Housing/Part Number | IPEX 20345-030T-31 |



8. LED Specification

8.1 General Information

| | |
|--|--|
| LED Manufacturer | Nichia |
| LED Manufacture Assembly P/N | NNSW108-S1 |
| Number of LEDs | 54 |
| LED bin | A6265, a6266, a6267, a6268, bj255, bj256, bj257, bj258 |
| LED ranks | 1800 mcd ~ 2400 mcd |
| LED brightness bin | 50 mcd per bin |
| LED Vf | 0.2V per bin |
| LED Forward Voltage Range for All 6 LED Series Lines | Max: 30.6 V |

8.2 LED Connection

| String | LED 1 | LED 2 | LED 3 | LED 4 | LED 5 | LED 6 | LED 7 | LED 8 | LED 9 |
|--------|-------|-------|-------|-------|-------|-------|-------|-------|-------|
| 1 | 1 | 7 | 13 | 19 | 25 | 31 | 37 | 43 | 49 |
| 2 | 2 | 8 | 14 | 20 | 26 | 32 | 38 | 44 | 50 |
| 3 | 3 | 9 | 15 | 21 | 27 | 33 | 39 | 45 | 51 |
| 4 | 4 | 10 | 16 | 22 | 28 | 34 | 40 | 46 | 52 |
| 5 | 5 | 11 | 17 | 23 | 29 | 35 | 41 | 47 | 53 |
| 6 | 6 | 12 | 18 | 24 | 30 | 36 | 42 | 48 | 54 |



9. Vibration and Shock Test

9.1 Vibration Test

Test Spec:

- Test method: Non-Operation
- Acceleration: 3.0 G
- Frequency: 5 - 150Hz Random
- Sweep: 30 Minutes each Axis (X, Y, Z)

9.2 Shock Test Spec:

Test Spec:

- Test method: Non-Operation
- Acceleration: 200 G , Half sine wave
- Active time: 2 ms
- Pulse: X,Y,Z .one time for each side



10. Reliability

| Items | Required Condition | Note |
|----------------------------|--|--------|
| Temperature Humidity Bias | Ta= 50°C, 90%RH, 240h | |
| High Temperature Operation | Ta= 50°C, RH, 300h | |
| Low Temperature Operation | Ta= 0°C, RH, 300h | |
| High Temperature Storage | Ta= 65°C, RH, 500h | |
| Low Temperature Storage | Ta= -25°C, RH, 500h | |
| Thermal Shock Test | Ta=-20°C to 60°C, Duration at 30 min, 100 cycles | |
| ESD | Contact : ±8 KV Air : ±15 KV | Note 1 |

Note1: According to EN 61000-4-2 , ESD class B: Some performance degradation allowed. No data lost
. Self-recoverable. No hardware failures.

Remark: MTBF (Excluding the LED): 30,000 hours with a confidence level 90%

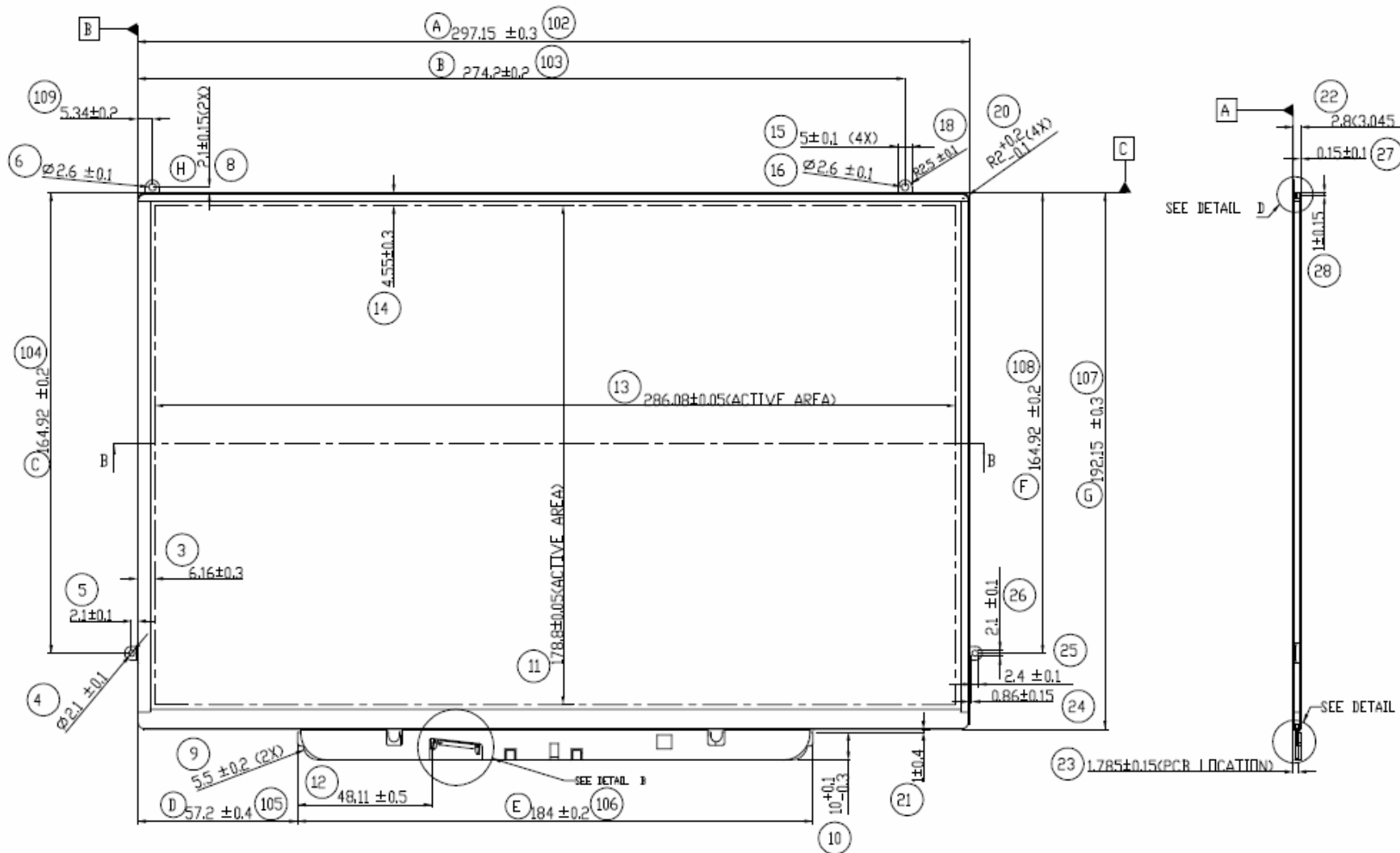


Product Specification

AU OPTRONICS CORPORATION

11. Mechanical Characteristics

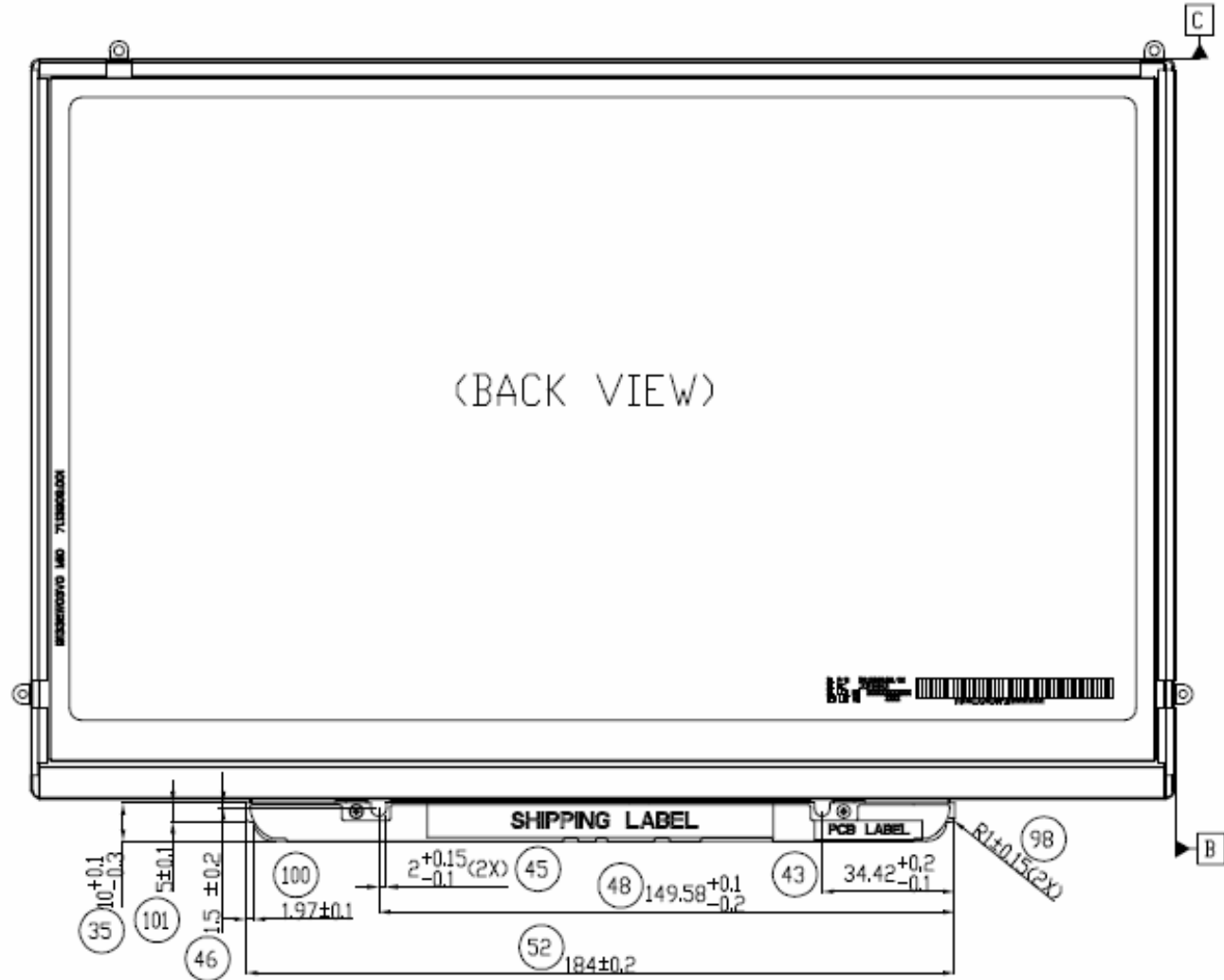
11.1 LCM Outline Dimension





Product Specification

AU OPTRONICS CORPORATION





Product Specification

AU OPTRONICS CORPORATION

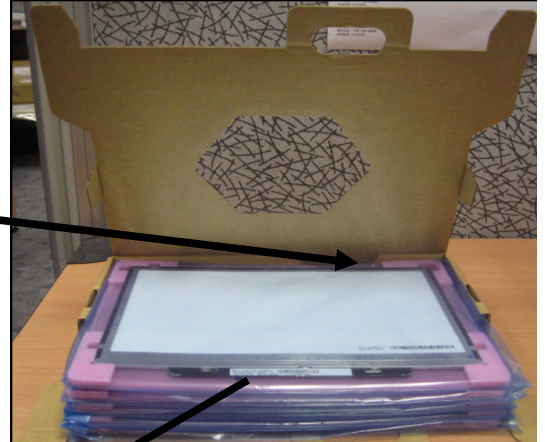
12. Shipping and Package

12.1 Shipping Label Format

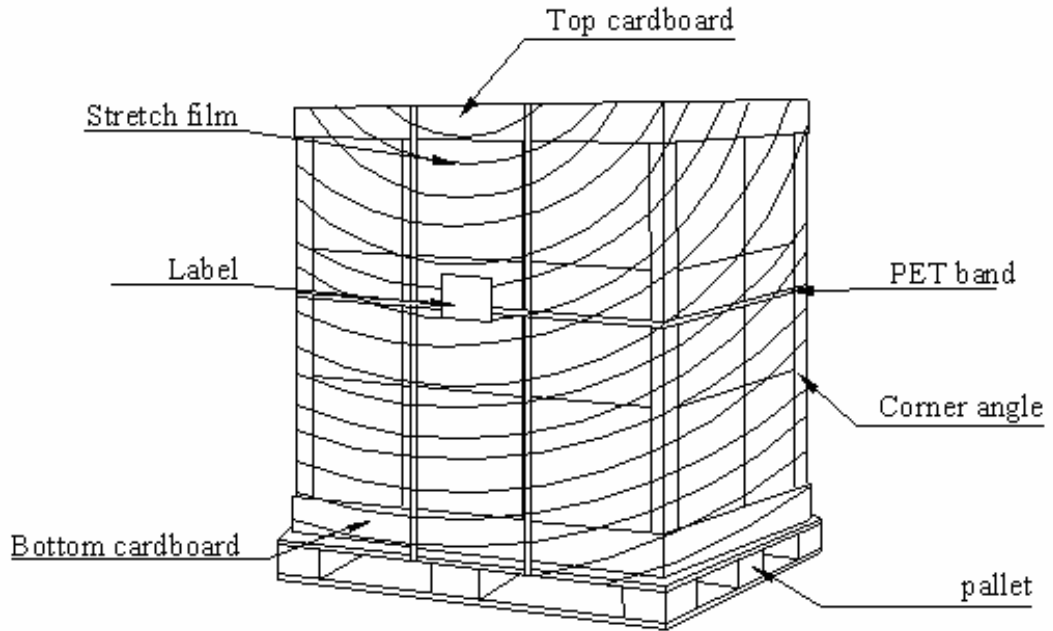


12.2 Carton package

The outside dimension of carton is 435 (L)mm x 377 (W)mm x 335 (H)mm



11.3 Shipping package of palletizing sequence





13. Appendix: EDID description

| Address | FUNCTION | Value | Value | Value | Note |
|---------|---|-------|----------|-------|------|
| HEX | | HEX | BIN | DEC | |
| 00 | Header | 00 | 00000000 | 0 | |
| 01 | | FF | 11111111 | 255 | |
| 02 | | FF | 11111111 | 255 | |
| 03 | | FF | 11111111 | 255 | |
| 04 | | FF | 11111111 | 255 | |
| 05 | | FF | 11111111 | 255 | |
| 06 | | FF | 11111111 | 255 | |
| 07 | | 00 | 00000000 | 0 | |
| 08 | EISA Manuf. Code LSB | 06 | 00000110 | 6 | |
| 09 | Compressed ASCII | AF | 10101111 | 175 | |
| 0A | Product Code | 24 | 00100100 | 36 | |
| 0B | hex, LSB first | 31 | 00110001 | 49 | |
| 0C | 32-bit ser # | 00 | 00000000 | 0 | |
| 0D | | 00 | 00000000 | 0 | |
| 0E | | 00 | 00000000 | 0 | |
| 0F | | 00 | 00000000 | 0 | |
| 10 | Week of manufacture | 01 | 00000001 | 1 | |
| 11 | Year of manufacture | 11 | 00010001 | 17 | |
| 12 | EDID Structure Ver. | 01 | 00000001 | 1 | |
| 13 | EDID revision # | 03 | 00000011 | 3 | |
| 14 | Video input def. (<i>digital I/P, non-TMDS, CRGB</i>) | 80 | 10000000 | 128 | |
| 15 | Max H image size (<i>rounded to cm</i>) | 1D | 00011101 | 29 | |
| 16 | Max V image size (<i>rounded to cm</i>) | 12 | 00010010 | 18 | |
| 17 | Display Gamma (<i>=(gamma*100)-100</i>) | 78 | 01111000 | 120 | |
| 18 | Feature support (<i>no DPMS, Active OFF, RGB, tmg Blk#1</i>) | 0A | 00001010 | 10 | |
| 19 | Red/green low bits (Lower 2:2:2:2 bits) | 90 | 10010000 | 144 | |
| 1A | Blue/white low bits (Lower 2:2:2:2 bits) | B5 | 10110101 | 181 | |
| 1B | Red x (Upper 8 bits) | 99 | 10011001 | 153 | |
| 1C | Red y/ highER 8 bits | 58 | 01011000 | 88 | |
| 1D | Green x | 52 | 01010010 | 82 | |
| 1E | Green y | 8E | 10001110 | 142 | |
| 1F | Blue x | 26 | 00100110 | 38 | |
| 20 | Blue y | 1E | 00011110 | 30 | |



Product Specification

AU OPTRONICS CORPORATION

| | | | | | |
|----|--|----|----------|-----|--|
| 21 | White x | 50 | 01010000 | 80 | |
| 22 | White y | 54 | 01010100 | 84 | |
| 23 | Established timing 1 | 00 | 00000000 | 0 | |
| 24 | Established timing 2 | 00 | 00000000 | 0 | |
| 25 | Established timing 3 | 00 | 00000000 | 0 | |
| 26 | Standard timing #1 | 01 | 00000001 | 1 | |
| 27 | | 01 | 00000001 | 1 | |
| 28 | Standard timing #2 | 01 | 00000001 | 1 | |
| 29 | | 01 | 00000001 | 1 | |
| 2A | Standard timing #3 | 01 | 00000001 | 1 | |
| 2B | | 01 | 00000001 | 1 | |
| 2C | Standard timing #4 | 01 | 00000001 | 1 | |
| 2D | | 01 | 00000001 | 1 | |
| 2E | Standard timing #5 | 01 | 00000001 | 1 | |
| 2F | | 01 | 00000001 | 1 | |
| 30 | Standard timing #6 | 01 | 00000001 | 1 | |
| 31 | | 01 | 00000001 | 1 | |
| 32 | Standard timing #7 | 01 | 00000001 | 1 | |
| 33 | | 01 | 00000001 | 1 | |
| 34 | Standard timing #8 | 01 | 00000001 | 1 | |
| 35 | | 01 | 00000001 | 1 | |
| 36 | Pixel Clock/10000 LSB | C7 | 11000111 | 199 | |
| 37 | Pixel Clock/10000 USB | 1B | 00011011 | 27 | |
| 38 | Horz active Lower 8bits | 00 | 00000000 | 0 | |
| 39 | Horz blanking Lower 8bits | A0 | 10100000 | 160 | |
| 3A | HorzAct:HorzBlnk Upper 4:4 bits | 50 | 01010000 | 80 | |
| 3B | Vertical Active Lower 8bits | 20 | 00100000 | 32 | |
| 3C | Vertical Blanking Lower 8bits | 17 | 00010111 | 23 | |
| 3D | Vert Act : Vertical Blanking (upper 4:4 bit) | 30 | 00110000 | 48 | |
| 3E | HorzSync. Offset | 30 | 00110000 | 48 | |
| 3F | HorzSync.Width | 20 | 00100000 | 32 | |
| 40 | VertSync.Offset : VertSync.Width | 36 | 00110110 | 54 | |
| 41 | Horz&Vert Sync Offset/Width Upper 2bits | 00 | 00000000 | 0 | |
| 42 | Horizontal Image Size Lower 8bits | 1E | 00011110 | 30 | |
| 43 | Vertical Image Size Lower 8bits | B3 | 10110011 | 179 | |
| 44 | Horizontal & Vertical Image Size (upper 4:4 bits) | 10 | 00010000 | 16 | |



Product Specification

AU OPTRONICS CORPORATION

| | | | | | |
|----|---|----|----------|-----|---|
| 45 | Horizontal Border (zero for internal LCD) | 00 | 00000000 | 0 | |
| 46 | Vertical Border (zero for internal LCD) | 00 | 00000000 | 0 | |
| 47 | Signal (non-intr, norm, no stereo, sep sync, neg pol) | 18 | 00011000 | 24 | |
| 48 | Detailed timing/monitor | 00 | 00000000 | 0 | |
| 49 | descriptor #2 | 00 | 00000000 | 0 | |
| 4A | | 00 | 00000000 | 0 | |
| 4B | | 0F | 00001111 | 15 | |
| 4C | | 00 | 00000000 | 0 | |
| 4D | | 00 | 00000000 | 0 | |
| 4E | | 00 | 00000000 | 0 | |
| 4F | | 00 | 00000000 | 0 | |
| 50 | | 00 | 00000000 | 0 | |
| 51 | | 00 | 00000000 | 0 | |
| 52 | | 00 | 00000000 | 0 | |
| 53 | | 00 | 00000000 | 0 | |
| 54 | | 00 | 00000000 | 0 | |
| 55 | | 00 | 00000000 | 0 | |
| 56 | | 00 | 00000000 | 0 | |
| 57 | | 00 | 00000000 | 0 | |
| 58 | | 00 | 00000000 | 0 | |
| 59 | | 20 | 00100000 | 32 | |
| 5A | Detailed timing/monitor | 00 | 00000000 | 0 | |
| 5B | descriptor #3 | 00 | 00000000 | 0 | |
| 5C | | 00 | 00000000 | 0 | |
| 5D | | FE | 11111110 | 254 | |
| 5E | | 00 | 00000000 | 0 | |
| 5F | Manufacture | 41 | 01000001 | 65 | A |
| 60 | Manufacture | 55 | 01010101 | 85 | U |
| 61 | Manufacture | 4F | 01001111 | 79 | O |
| 62 | | 0A | 00001010 | 10 | |
| 63 | | 20 | 00100000 | 32 | |
| 64 | | 20 | 00100000 | 32 | |
| 65 | | 20 | 00100000 | 32 | |
| 66 | | 20 | 00100000 | 32 | |
| 67 | | 20 | 00100000 | 32 | |
| 68 | | 20 | 00100000 | 32 | |
| 69 | | 20 | 00100000 | 32 | |



Product Specification

AU OPTRONICS CORPORATION

| | | | | | |
|----|-------------------------|----|----------|-----|---|
| 6A | | 20 | 00100000 | 32 | |
| 6B | | 20 | 00100000 | 32 | |
| 6C | Detailed timing/monitor | 00 | 00000000 | 0 | |
| 6D | descriptor #4 | 00 | 00000000 | 0 | |
| 6E | | 00 | 00000000 | 0 | |
| 6F | | FE | 11111110 | 254 | |
| 70 | | 00 | 00000000 | 0 | |
| 71 | Manufacture P/N | 42 | 01000010 | 66 | B |
| 72 | Manufacture P/N | 31 | 00110001 | 49 | 1 |
| 73 | Manufacture P/N | 33 | 00110011 | 51 | 3 |
| 74 | Manufacture P/N | 33 | 00110011 | 51 | 3 |
| 75 | Manufacture P/N | 45 | 01000101 | 69 | E |
| 76 | Manufacture P/N | 57 | 01010111 | 87 | W |
| 77 | Manufacture P/N | 30 | 00110000 | 48 | 0 |
| 78 | Manufacture P/N | 33 | 00110011 | 51 | 3 |
| 79 | Manufacture P/N | 20 | 00100000 | 32 | |
| 7A | Manufacture P/N | 56 | 01010110 | 86 | V |
| 7B | Manufacture P/N | 31 | 00110001 | 49 | 1 |
| 7C | | 20 | 00100000 | 32 | |
| 7D | | 0A | 00001010 | 10 | |
| 7E | Extension Flag | 00 | 00000000 | 0 | |
| 7F | Checksum | C | 00001100 | 12 | |