

# **SN8P1602B**

## **USER'S MANUAL**

*General Release Specification*

# **SONiX 8-Bit Micro-Controller**

SONiX reserves the right to make change without further notice to any products herein to improve reliability, function or design. SONiX does not assume any liability arising out of the application or use of any product or circuit described herein; neither does it convey any license under its patent rights nor the rights of others. SONiX products are not designed, intended, or authorized for use as components in systems intended, for surgical implant into the body, or other applications intended to support or sustain life, or for any other application in which the failure of the SONiX product could create a situation where personal injury or death may occur. Should Buyer purchase or use SONiX products for any such unintended or unauthorized application. Buyer shall indemnify and hold SONiX and its officers, employees, subsidiaries, affiliates and distributors harmless against all claims, cost, damages, and expenses, and reasonable attorney fees arising out of, directly or indirectly, any claim of personal injury or death associated with such unintended or unauthorized use even if such claim alleges that SONiX was negligent regarding the design or manufacture of the part.

*AMENDMENT HISTORY*

<b>Version</b>	<b>Date</b>	<b>Description</b>
VER 1.0	Sep. 2003	V1.0 First Issue
VER 1.1	Sep. 2003	<ol style="list-style-type: none"><li>1. Remove approval sheet</li><li>2. Remove PCB layout notice section.</li><li>3. Modify the description of code option notice.</li><li>4. Add the description of PEDGE register.</li><li>5. Modify the description of INTRQ register.</li><li>6. Change operating voltage range from "2.2V ~ 5.5V" to "2.4V ~ 5.5V" at Fosc=3.579545 MHz, ambient temperature = 25°C.</li></ol>

# Table of Content

AMENDENT HISTORY .....	2
<b>1</b> <b>PRODUCT OVERVIEW</b> .....	<b>8</b>
GENERAL DESCRIPTION.....	8
UPGRADE FROM SN8P1602/SN8P1603/SN8P1602A.....	8
FEATURES.....	9
SELECTION TABLE.....	9
SYSTEM BLOCK DIAGRAM.....	10
PIN ASSIGNMENT .....	11
PIN DESCRIPTIONS .....	12
PIN CIRCUIT DIAGRAMS .....	12
<b>2</b> <b>CODE OPTION TABLE</b> .....	<b>13</b>
SN8P1602B .....	13
<b>3</b> <b>ADDRESS SPACES</b> .....	<b>14</b>
PROGRAM MEMORY (ROM).....	14
OVERVIEW .....	14
USER RESET VECTOR ADDRESS (0000H).....	15
INTERRUPT VECTOR ADDRESS (0008H) .....	15
CHECKSUM CALCULATION.....	17
GENERAL PURPOSE PROGRAM MEMORY AREA.....	18
LOOK-UP TABLE DESCRIPTION.....	18
JUMP TABLE DESCRIPTION.....	20
DATA MEMORY (RAM) .....	22
OVERVIEW .....	22
WORKING REGISTERS.....	23
Y, Z REGISTERS .....	23

<i>R</i> REGISTERS.....	24
PROGRAM FLAG .....	25
<i>RESET/WAKEUP FLAG</i> .....	25
<i>CARRY FLAG</i> .....	25
<i>DECIMAL CARRY FLAG</i> .....	25
<i>ZERO FLAG</i> .....	25
ACCUMULATOR .....	26
STACK OPERATIONS .....	27
<i>OVERVIEW</i> .....	27
<i>STACK REGISTERS</i> .....	28
<i>STACK OPERATION EXAMPLE</i> .....	29
PROGRAM COUNTER.....	29
<i>ONE ADDRESS SKIPPING</i> .....	30
<i>MULTI-ADDRESS JUMPING</i> .....	31

## 4 ADDRESSING MODE..... 32

OVERVIEW .....	32
<i>IMMEDIATE ADDRESSING MODE</i> .....	32
<i>DIRECTLY ADDRESSING MODE</i> .....	32
<i>INDIRECTLY ADDRESSING MODE</i> .....	32

## 5 SYSTEM REGISTER..... 33

OVERVIEW .....	33
SYSTEM REGISTER ARRANGEMENT (BANK 0).....	33
<i>BYTES of SYSTEM REGISTER</i> .....	33
<i>BITS of SYSTEM REGISTER</i> .....	34

## 6 POWER ON RESET..... 35

OVERVIEW .....	35
EXTERNAL RESET DESCRIPTION .....	36
LOW VOLTAGE DETECTOR (LVD) DESCRIPTION .....	37

# 7 OSCILLATORS ..... 38

OVERVIEW .....	38
<i>CLOCK BLOCK DIAGRAM</i> .....	38
<i>OSCM REGISTER DESCRIPTION</i> .....	39
<i>EXTERNAL HIGH-SPEED OSCILLATOR</i> .....	40
<i>OSCILLATOR MODE CODE OPTION</i> .....	40
<i>OSCILLATOR DEVIDE BY 2 CODE OPTION</i> .....	40
<i>OSCILLATOR SAFE GUARD CODE OPTION</i> .....	40
<i>SYSTEM OSCILLATOR CIRCUITS</i> .....	41
<i>External RC Oscillator Frequency Measurement</i> .....	42
<i>INTERNAL LOW-SPEED OSCILLATOR</i> .....	43
SYSTEM MODE DESCRIPTION.....	44
<i>OVERVIEW</i> .....	44
<i>NORMAL MODE</i> .....	44
<i>SLOW MODE</i> .....	44
<i>GREEN MODE</i> .....	44
<i>POWER DOWN MODE</i> .....	44
SYSTEM MODE CONTROL.....	45
<i>SYSTEM MODE SWITCHING</i> .....	46
WAKEUP TIME .....	47
<i>OVERVIEW</i> .....	47
<i>HARDWARE WAKEUP</i> .....	47
<i>EXTERNAL WAKEUP TRIGGER CONTROL</i> .....	48

# 8 TIMERS ..... 49

WATCHDOG TIMER (WDT).....	49
TIMER0 (TC0).....	50
<i>OVERVIEW</i> .....	50
<i>TC0M MODE REGISTER</i> .....	51
<i>TC0C COUNTING REGISTER</i> .....	52
<i>TC0 TIMER OPERATION SEQUENCE</i> .....	53

<b>9</b>	<b>INTERRUPT.....</b>	<b>54</b>
	OVERVIEW .....	54
	INTEN INTERRUPT ENABLE REGISTER .....	55
	INTRQ INTERRUPT REQUEST REGISTER.....	55
	INTERRUPT OPERATION DESCRIPTION.....	56
	<i>GIE GLOBAL INTERRUPT OPERATION</i> .....	56
	<i>INT0 (P0.0) INTERRUPT OPERATION</i> .....	57
	<i>TC0 INTERRUPT OPERATION</i> .....	58
	<i>MULTI-INTERRUPT OPERATION</i> .....	59
<b>10</b>	<b>I/O PORT .....</b>	<b>60</b>
	OVERVIEW .....	60
	I/O PORT FUNCTION TABLE.....	61
	I/O PORT MODE.....	61
	I/O PULL UP REGISTER.....	62
	I/O PORT DATA REGISTER .....	62
<b>11</b>	<b>CODING ISSUE .....</b>	<b>63</b>
	TEMPLATE CODE .....	63
	PROGRAM CHECK LIST .....	67
<b>12</b>	<b>INSTRUCTION SET TABLE.....</b>	<b>68</b>
<b>13</b>	<b>ELECTRICAL CHARACTERISTIC .....</b>	<b>69</b>
	ABSOLUTE MAXIMUM RATING.....	69

---

---

STANDARD ELECTRICAL CHARACTERISTIC.....	69
CHARACTERISTIC GRAPHS .....	70

# 14

<b>PACKAGE INFORMATION .....</b>	<b>73</b>
----------------------------------	-----------

P-DIP 18 PIN.....	73
SOP 18 PIN.....	74
SSOP 20 PIN .....	75

# 1 PRODUCT OVERVIEW

## GENERAL DESCRIPTION

The SN8P1602B is an 8-bit micro-controller utilized CMOS technology and featured with low power consumption and high performance by its unique electronic structure.

SN8P1602B is designed with the excellent IC structure including the program memory up to 1K-word OTP ROM, data memory of 48-bytes RAM, one 8-bit timer (TC0), a watchdog timer, two interrupt sources (TC0, INT0), and 4-level stack buffers. Besides, user can choose desired oscillator configuration for the controller. There are four external oscillator configurations to select for generating system clock, including High/Low speed crystal, ceramic resonator or cost-saving RC. SN8P1602B also includes an internal RC oscillator for slow mode controlled by programming.

## UPGRADE FROM SN8P1602/SN8P1603/SN8P1602A

Item	SN8P1602B	SN8P1602A	SN8P1602	SN8P1603
Standby Current at 3V	<1uA	3 ~ 4uA	3 ~ 4uA	70uA
Pull-up resistor	Yes	Yes	-	-
Power On Reset / Brown Out Reset	Excellent	Excellent	-	Good
Watchdog Clock Source	High Clock Internal RC	High Clock Internal RC	High Clock	High Clock
Watchdog Clock Source Fixed at Internal RC and Internal RC Clock Always Enable	Yes	Yes	-	-
Green Mode	Yes	Yes	-	-
P0.0 Interrupt Edge	Falling/Rising/Both	Falling/Rising/Both	Falling	Falling
Port 1 Wakeup	Level Change	Level Change	Low Level	Low Level
TC0 Event Counter	Yes	Yes	-	-
External Reset Recommend Value	20K / 0.1uF	20K / 0.33uF	20K / 0.1uF	20K / 0.1uF
Power On Delay at 4Mhz	~ 200ms	~ 200ms	~ 70ms	~ 70ms
Low Power code option	Yes	Yes	-	-
LVD	1.8V Always ON	1.8V Always ON	2.4V ON/OFF	2.4V Always ON



## FEATURES

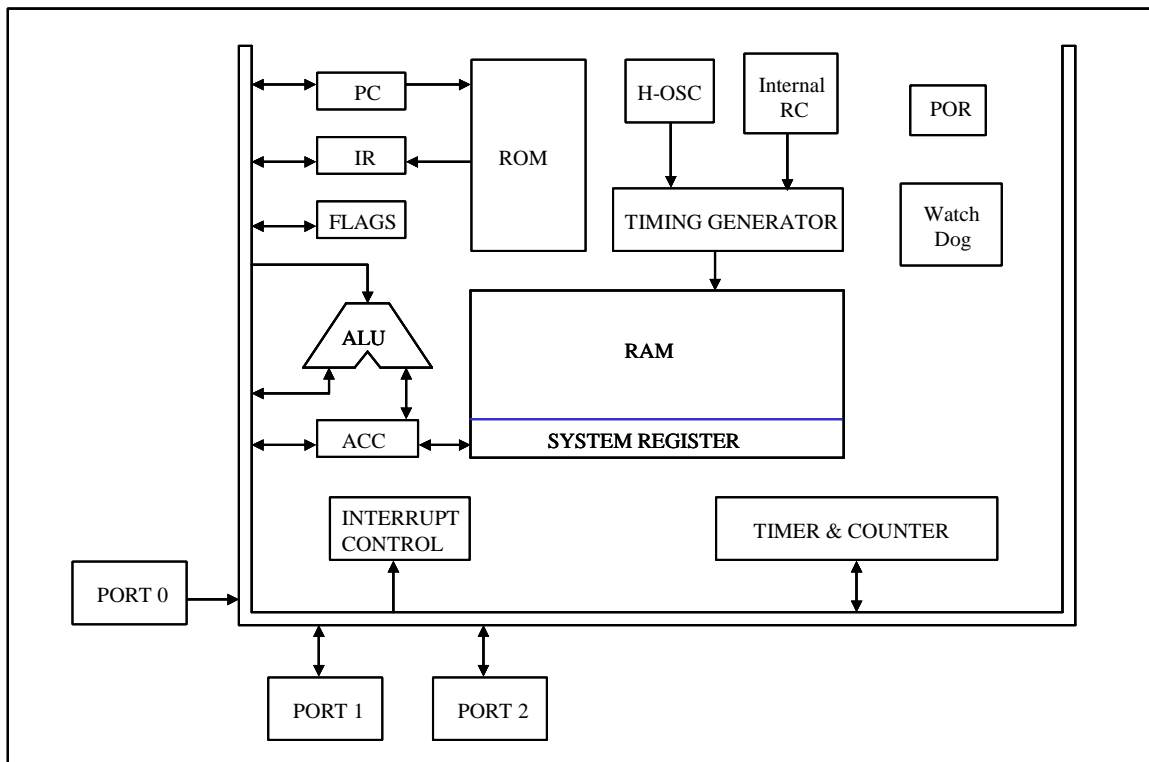
- ◆ **Memory configuration**  
OTP ROM size: 1K \* 16-bit.  
RAM size: 48 \* 8-bit.
- ◆ **I/O pin configuration**  
Input only: P0  
Bi-directional: P1, P2,  
Wakeup: P0, P1  
Pull-up resistors: P0, P1, P2  
External interrupt: P0
- ◆ **On chip watchdog timer.**
- ◆ **One 8-bit timer counters.**
- ◆ **57 powerful instructions**  
Four clocks per instruction cycle  
All of instructions are one word length.  
Most of instructions are one cycle only.  
Maximum instruction cycle is two.  
All ROM area JMP instruction.  
All ROM area lookup table function (MOVC)
- ◆ **Two interrupt sources**  
One internal interrupt: TC0.  
One external interrupt: INT0.
- ◆ **Four levels stack buffer.**
- ◆ **Dual clock system offers four operating modes**  
External high clock: RC type up to 10 MHz  
External high clock: Crystal type up to 16 MHz  
Internal low clock: RC type 16KHz(3V), 32KHz(5V)  
Normal mode: Both high and low clock active  
Slow mode: Low clock only  
Sleep mode: Both high and low clock stop  
Green mode: Periodical wakeup by timer.
- ◆ **Package**  
  
P-DIP18, SOP18, SSOP20.

## SELECTION TABLE

CHIP	ROM	RAM	Stack	Timer		I/O	Green Mode	PWM	Wakeup	Package
				TC0	TC1			Buzzer	Pin no.	
SN8P1602B	1K*16	48	4	V	-	14	V	-	6	DIP18/SOP18 /SSOP20

## SYSTEM BLOCK DIAGRAM

➤ SN8P1602B



## PIN ASSIGNMENT

### OTP Type:

**SN8P1602BP (P-DIP 18 pins)**  
**SN8P1602BS (SOP 18 pins)**

P1.2	1	U	18	P1.1
P1.3	2		17	P1.0
INT0/P0.0	3		16	XIN
RST/VPP	4		15	XOUT/P1.4
VSS	5		14	VDD
P2.0	6		13	P2.7
P2.1	7		12	P2.6
P2.2	8		11	P2.5
P2.3	9		10	P2.4

SN8P1602BP  
SN8P1602BS

**SN8P1602BX (SSOP 20 pins)**

P1.2	1	U	20	P1.1
P1.3	2		19	P1.0
INT0/P0.0	3		18	XIN
RST/VPP	4		17	XOUT/P1.4
VSS	5		16	VDD
VSS	6		15	VDD
P2.0	7		14	P2.7
P2.1	8		13	P2.6
P2.2	9		12	P2.5
P2.3	10		11	P2.4

SN8P1602BX

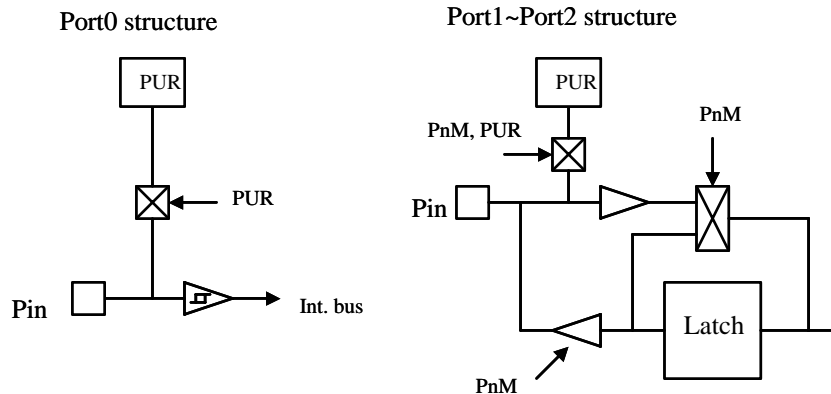
## PIN DESCRIPTIONS

### ➤ SN8P1602B

PAD NAME	TYPE	DESCRIPTION
VDD, VSS	P	Power supply input pins. Place the 0.1 $\mu$ F bypass capacitor between the VDD and VSS pin.
RST/VPP	I, P	RST: System reset input pin. Schmitt trigger structure, low active, normal stay to "high". VPP: OTP programming pin.
XIN	I	External oscillator input pin. RC mode input pin.
XOUT/P1.4	I/O	External oscillator output pin. In RC mode is P1.4 I/O.
P0.0 / INT0	I	Port 0.0 and shared with INT0 trigger pin (Schmitt trigger) / Built-in pull-up resistors.
P1.0 ~ P1.4	I/O	Port 1.0~Port 1.4 bi-direction pins / Built-in pull-up resistors.
P2.0 ~ P2.7	I/O	Port 2.0~Port 2.7 bi-direction pins / Built-in pull-up resistors.

## PIN CIRCUIT DIAGRAMS

### ➤ SN8P1602B



➤ **Note:** All of the latch output circuits are push-pull structures.

# 2 CODE OPTION TABLE

## SN8P1602B

Code Option	Content	Function Description
High_Clk	RC	Low cost RC for external high clock oscillator
	32K X'tal	Low frequency, power saving crystal (e.g. 32.768K) for external high clock oscillator
	12M X'tal	High speed crystal /resonator (e.g. 12M) for external high clock oscillator
	4M X'tal	Standard crystal /resonator (e.g. 3.58M) for external high clock oscillator
High_Clk / 2	Enable	External high clock divided by two, Fosc = high clock / 2
	Disable	Fosc = high clock
OSG	Enable	Enable Oscillator Safe Guard function to enhance noise immunity performance.
	Disable	Disable Oscillator Safe Guard function
Watch_Dog	Enable	Enable Watch Dog function
	Disable	Disable Watch Dog function
Low Power	Enable	Enable Low Power function to save Operating current
	Disable	Disable Low Power function
Noise Filter	Enable	Enable Noise Filter function to enhance noise immunity performance
	Disable	Disable Noise Filter function
Security	Enable	Enable ROM code Security function
	Disable	Disable ROM code Security function
INT_16K_RC	Always_ON	Force Watch Dog Timer clock source come from INT 16K RC. Also INT 16K RC never stop both in power down and green mode that means Watch Dog Timer will always enable both in power down and green mode.
	By_CPUM	Enable or Disable internal 16K(at 3V) RC clock by CPUM register

Table 2-1 SN8P1602B Code Option Table

This table is for design guidance, not tested or guaranteed. Some values presented are outside specified operating range. This is for information only and devices are guaranteed to operate properly only within the specified range.

Code Option		Lowest Operation Voltage	
Enable	Disable	4 MHz	16 MHz
-	Noise Filter/Low Power/OSG	2.2V	2.8V
Noise Filter	Low Power/OSG	2.2V	3.5V
Low Power	Noise Filter/OSG	2.2V	3.8V
OSG	Noise Filter/Low Power	2.2V	2.9V

Table 2-2 SN8P1602B Minimum Working Voltage vs. Code Option and clock frequency

**Notice:**

- Under high noisy environment, enable "Noise Filter", "OSG" and disable "Low Power" is strongly recommended.
- The side effect is to increase the minimum working voltage if enables "Noise Filter"/"OSG"/ "Low Power" code option. (Please refer to Characteristic Graphs)
- Enable "Low Power" option will reduce operating current during the normal operating mode.
- If users select "32K X'tal" in "High\_Clk" option, assembler will force "OSG" to be enabled.
- If users select "RC" in "High\_Clk" option, assembler will force "High\_Clk / 2" to be enabled.

# 3 ADDRESS SPACES

## PROGRAM MEMORY (ROM)

### OVERVIEW

The SN8P1602B provides the program memory up to 1024 \* 16-bit to be addressed and is able to fetch instructions through 10-bit wide PC (Program Counter). It can look up ROM data by using ROM code registers (R, Y, Z).

- 1-word reset vector addresses
- 1-word interrupt vector addresses
- 1K words general purpose area
- 5-word reserved area

All of the program memory is partitioned into three coding areas. The first area is located from 00H to 03H(The Reset vector area), the second area is a reserved area 04H ~07H, the 3<sup>rd</sup> area is for the interrupt vector and the user code area from 0008H to 03FEH/0FFEH. The address 08H is the interrupt enter address point.

<b>ROM</b>		
0000H	<b>Reset vector</b>	User reset vector
0001H	<b>General purpose area</b>	Jump to user start address
0002H		Jump to user start address
0003H		Jump to user start address
0004H	<b>Reserved</b>	
0005H		
0006H		
0007H		
0008H	<b>Interrupt vector</b>	User interrupt vector
0009H	<b>General purpose area</b>	User program
.		
.		
000FH		
0010H		
0011H		
.		
03FEH		End of user program
03FFH	<b>Reserved</b>	

## USER RESET VECTOR ADDRESS (0000H)

A 1-word vector address area is used to execute system reset. After power on reset or watchdog timer overflow reset, then the chip will restart the program from address 0000h and all system registers will be set as default values. The following example shows the way to define the reset vector in the program memory.

### ➔ Programming Tip: Defining Reset Vector

CHIP SN8P1602B

```

ORG      0          ; 0000H
JMP      START     ; Jump to user program address.
.          ; 0004H ~ 0007H are reserved

ORG      10H        ; 0010H, The head of user program.
START:   .          ; User program
.
.
.
ENDP                    ; End of program

```

## INTERRUPT VECTOR ADDRESS (0008H)

A 1-word vector address area is used to execute interrupt request. If any interrupt service executes, the program counter (PC) value is stored in stack buffer and jump to 0008h of program memory to execute the vectored interrupt. Users have to define the interrupt vector. The following example shows the way to define the interrupt vector in the program memory.

### Programming Tip: Defining Interrupt Vector (Example 1)

CHIP SN8P1602B

```

.DATA      PFLAGBUF
.CODE

ORG      0          ; 0000H
JMP      START     ; Jump to user program address.
.          ; 0004H ~ 0007H are reserved

ORG      8          ; Interrupt service routine
B0XCH     A, ACCBUF  ; B0XCH doesn't change C, Z flag
B0MOV     A, PFLAG
B0MOV     PFLAGBUF, A ; Save PFLAG register in a buffer
.
.
B0MOV     A, PFLAGBUF
B0MOV     PFLAG, A   ; Restore PFLAG register from buffer
B0XCH     A, ACCBUF  ; B0XCH doesn't change C, Z flag
RETI                    ; End of interrupt service routine

START:   .          ; The head of user program.
.          ; User program
.
JMP      START     ; End of user program

ENDP                    ; End of program

```

**Programming Tip: Defining Interrupt Vector (Example 2)****CHIP SN8P1602B**

```

.DATA      PFLAGBUF
.CODE
          ORG      0          ; 0000H
          JMP      START      ; Jump to user program address.
          .          ; 0001H ~ 0007H are reserved

          ORG      08
          JMP      MY_IRQ     ; 0008H, Jump to interrupt service routine address

START:  ORG      10H
          .          ; 0010H, The head of user program.
          .          ; User program
          .
          JMP      START     ; End of user program

MY_IRQ:
          B0XCH   A, ACCBUF   ; The head of interrupt service routine
          B0MOV   A, PFLAG    ; B0XCH doesn't change C, Z flag
          B0MOV   PFLAGBUF, A ; Save PFLAG register in a buffer
          .
          .
          B0MOV   A, PFLAGBUF
          B0MOV   PFLAG, A    ; Restore PFLAG register from buffer
          B0XCH   A, ACCBUF   ; B0XCH doesn't change C, Z flag
          RETI             ; End of interrupt service routine

          ENDP             ; End of program

```

➤ **Remark: It is easy to understand the rules of SONiX program from demo programs given above. These points are as following:**

- 1. The address 0000H is a "JMP" instruction to make the program starts from the beginning.**
- 2. The 0004H~0007H are reserved. Users is NOT allow to use 0004H~0007H addresses. The default value might change from time to time during various production progress. We strongly suggest users DO NOT take this value into the Check Sum. For detailed information, please check the following Checksum Calculation section**



## CHECKSUM CALCULATION

The ROM addresses 0004H~0007H and last address are reserved area. User should avoid these addresses (0004H~0007H and last address) when calculate the Checksum value.

⇒ **Example:**

The demo program shows how to avoid 0004H~0007H when calculated Checksum from 00H to the end of user's code

```

MOV      A,#END_USER_CODE$L
B0MOV   END_ADDR1,A      ;save low end address to end_addr1
MOV      A,#END_USER_CODE$M
B0MOV   END_ADDR2,A      ;save middle end address to end_addr2
CLR      Y                ;set Y to 00H
CLR      Z                ;set Z to 00H

@@:
CALL     YZ_CHECK        ;call function of check yz value
MOVC
B0BSET  FC                ;clear C flag
ADD      DATA1,A        ;add A to Data1
MOV      A,R
ADC      DATA2,A        ;add R to Data2
JMP      END_CHECK       ;check if the YZ address = the end of code

AAA:
INCMS   Z                ;Z=Z+1
JMP     @B                ;if Z!= 00H calculate to next address
JMP     Y_ADD_1          ;if Z=00H increase Y

END_CHECK:
MOV      A,END_ADDR1
CMPRS   A,Z                ;check if Z = low end address
JMP     AAA              ;if Not jump to checksum calculate
MOV      A,END_ADDR2
CMPRS   A,Y                ;if Yes, check if Y = middle end address
JMP     AAA              ;if Not jump to checksum calculate
JMP     CHECKSUM_END     ;if Yes checksum calculated is done.
YZ_CHECK:
MOV      A,#04H
CMPRS   A,Z                ;check if Z=04H
RET     ;if Not return to checksum calculate
MOV      A,#00H
CMPRS   A,Y                ;if Yes, check if Y=00H
RET     ;if Not return to checksum calculate
INCMS   Z                ;if Yes, increase 4 to Z
INCMS   Z
INCMS   Z
INCMS   Z
RET     ;set YZ=0008H then return

Y_ADD_1:
INCMS   Y                ;increase Y
NOP
JMP     @B                ;jump to checksum calculate

CHECKSUM_END:
.....
.....

END_USER_CODE:          ;Label of program end

```

## GENERAL PURPOSE PROGRAM MEMORY AREA

The ROM location 0009H~03FEH are used as general-purpose memory. The area is to store both instruction's op-code and look-up table data. The SN8P1602B includes jump table function by using program counter (PC) and look-up table function by using ROM code registers (R, Y, Z).

The boundary of program memory is separated by the high-byte program counter (PCH) every 100H. In jump table function and look-up table function, the program counter can't leap over the boundary by program counter automatically. Users need to modify the PCH value to "PCH+1" when the PCL overflows (from 0FFH to 000H).

## LOOK-UP TABLE DESCRIPTION

In the ROM's data lookup function, Y register is pointed to the bit 8~bit 15 and Z register to the bit 0~bit 7 data of ROM address. After MOVC instruction is executed, the low-byte data will be stored in ACC and high-byte data stored in R register.

⇒ **Example: To look up the ROM data located "TABLE1".**

```

B0MOV    Y, #TABLE1$M    ; To set lookup table1's middle address
B0MOV    Z, #TABLE1$L    ; To set lookup table1's low address.
MOVC     ; To lookup data, R = 00H, ACC = 35H
;
;
; Increment the index address for next address
INCMS   Z           ; Z+1
JMP    @F           ; Not overflow
INCMS   Y           ; Z overflow (FFH → 00), → Y=Y+1
NOP
;
;
@@:      MOVC           ; To lookup data, R = 51H, ACC = 05H.
;
;
TABLE1:  DW            0035H    ; To define a word (16 bits) data.
          DW            5105H    ; "
          DW            2012H    ; "

```

➤ **CAUTION:** The Y register will not increase automatically when Z register crosses boundary from 0xFF to 0x00. Therefore, user must take care such situation to avoid loop-up table errors. If Z register overflows, Y register must be added one. The following INC\_YZ macro shows a simple method to process Y and Z registers automatically.

➤ **Note:** Because the program counter (PC) is only 12-bit, the X register is useless in the application. Users can omit "B0MOV X, #TABLE1\$H". SONiX ICE supports larger program memory addressing capability. Please be sure that X register is "0" to avoid unpredicted error in loop-up table operation.

⇒ **Example: INC\_YZ Macro**

```

INC_YZ   MACRO
          INCMS   Z           ; Z+1
          JMP    @F           ; Not overflow
;
          INCMS   Y           ; Y+1
          NOP           ; Not overflow
@@:
          ENDM

```

The other example of loop-up table is to add Y or Z index register by accumulator. Please be careful if "carry" happen.

➤ **Example: Increase Y and Z register by B0ADD/ADD instruction**

```
B0MOV    Y, #TABLE1$M    ; To set lookup table's middle address.
B0MOV    Z, #TABLE1$L    ; To set lookup table's low address.
```

```
B0MOV    A, BUF          ; Z = Z + BUF.
B0ADD    Z, A
```

```
B0BTS1   FC              ; Check the carry flag.
JMP      GETDATA         ; FC = 0
INCMS    Y               ; FC = 1. Y+1.
NOP
```

```
GETDATA:
MOV      ;
          ; To lookup data. If BUF = 0, data is 0x0035
          ; If BUF = 1, data is 0x5105
          ; If BUF = 2, data is 0x2012
          .
          .
          .
          .
TABLE1:  .
          DW      0035H    ; To define a word (16 bits) data.
          DW      5105H    ; "
          DW      2012H    ; "
```

## JUMP TABLE DESCRIPTION

The jump table operation is one of multi-address jumping function. Add low-byte program counter (PCL) and ACC value to get one new PCL. The new program counter (PC) points to a series jump instructions as a listing table. It is easy to make a multi-jump program depends on the value of the accumulator (A).

When carry flag occurs after executing of "ADD PCL, A", it will not affect PCH register. Users have to check if the jump table crosses over the ROM page boundary or the listing file generated by SONiX assembly software. We suggest users to place the jump table at the beginning of the program memory page (xx00H) to avoid errors to occur when editing the program.

### ➔ Example :

```

ORG      0X0100      ; The jump table is from the head of the ROM boundary

B0ADD    PCL, A      ; PCL = PCL + ACC, the PCH can't be changed.
JMP      A0POINT    ; ACC = 0, jump to A0POINT
JMP      A1POINT    ; ACC = 1, jump to A1POINT
JMP      A2POINT    ; ACC = 2, jump to A2POINT
JMP      A3POINT    ; ACC = 3, jump to A3POINT

```

In following example, the jump table starts at 0x00FD. When execute B0ADD PCL, A. If ACC = 0 or 1, the jump table points to the right address. If the ACC is larger then 1 will cause error because PCH doesn't increase one automatically. We can see the PCL = 0 when ACC = 2 but the PCH still keep in 0. The program counter (PC) will enter the wrong address 0x0000 and the system will be in a unexpected operation mode. It is important to check whether the jump table crosses over the boundary (xxFFH to xx00H). A good coding style is to put the jump table at the start of ROM boundary (e.g. 0100H).

### ➔ Example (Incorrect): If the "jump table" crosses over ROM boundary, the program will cause the errors to occur.

```

ROM Address
.      .
.      .
.      .
0X00FD  B0ADD    PCL, A      ; PCL = PCL + ACC, the PCH can't be changed.
0X00FE  JMP      A0POINT    ; ACC = 0
0X00FF  JMP      A1POINT    ; ACC = 1
0X0100  JMP      A2POINT    ; ACC = 2 ← jump table cross boundary here
0X0101  JMP      A3POINT    ; ACC = 3
.      .
.      .

```

SONiX provides a macro for safe jump table function. This macro will check the ROM boundary and move the jump table to the right position automatically. The side effect of this macro maybe wastes some ROM size.

```

@JMP_A    MACRO    VAL
IF        (($+1) !& 0XFF00) != (($+(VAL)) !& 0XFF00)
JMP      ($ | 0XFF)
ORG      ($ | 0XFF)
ENDIF
ADD      PCL, A
ENDM

```

➤ **Note:** "VAL" is the number of the jump table listing number.

➔ Example: “@JMP\_A” application in SONIX macro file called “MACRO3.H”.

```
B0MOV    A, BUF0      ; "BUF0" is from 0 to 4.
@JMP_A   5            ; The number of the jump table listing is five.
JMP      A0POINT     ; If ACC = 0, jump to A0POINT
JMP      A1POINT     ; ACC = 1, jump to A1POINT
JMP      A2POINT     ; ACC = 2, jump to A2POINT
JMP      A3POINT     ; ACC = 3, jump to A3POINT
JMP      A4POINT     ; ACC = 4, jump to A4POINT
```

If the jump table position is from 00FDH to 0101H, the “@JMP\_A” macro will make the jump table to start from 0100h.

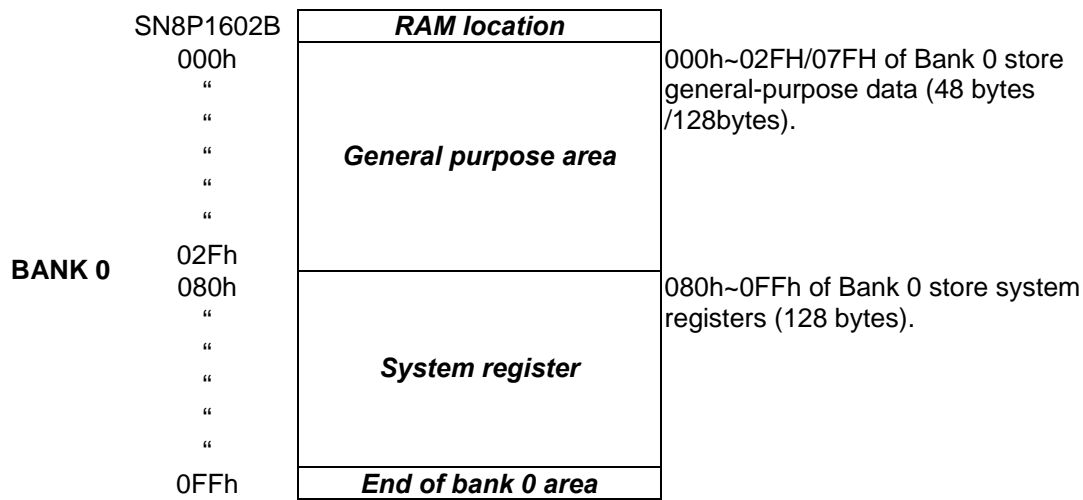
## DATA MEMORY (RAM)

### OVERVIEW

The SN8P1602B has internally built-in data memory up to 48 bytes for storing the general-purpose data.

- 48 \* 8-bit RAM

The memory is separated into bank 0. The bank 0 uses the first 48 bytes as general-purpose area, and the remaining 128 bytes area as system register.



## WORKING REGISTERS

These Y,Z registers can be used as the general-purpose working buffer or access ROM's and RAM's data. For instance, all of the ROM table can be looked-up by Y and Z registers. The data of RAM memory can be indirectly accessed with Y and Z registers.

### Y, Z REGISTERS

The Y and Z registers are the 8-bit buffers. There are three major functions of these registers.

- can be used as general working registers
- can be used as RAM data pointers with @YZ register
- can be used as ROM data pointer with the MOVC instruction for look-up table

084H	Bit 7	Bit 6	Bit 5	Bit 4	Bit 3	Bit 2	Bit 1	Bit 0
<b>Y</b>	YBIT7	YBIT6	YBIT5	YBIT4	YBIT3	YBIT2	YBIT1	YBIT0
Read/Write	R/W	R/W	R/W	R/W	R/W	R/W	R/W	R/W
After reset	0	0	0	0	0	0	0	0

083H	Bit 7	Bit 6	Bit 5	Bit 4	Bit 3	Bit 2	Bit 1	Bit 0
<b>Z</b>	ZBIT7	ZBIT6	ZBIT5	ZBIT4	ZBIT3	ZBIT2	ZBIT1	ZBIT0
Read/Write	R/W	R/W	R/W	R/W	R/W	R/W	R/W	R/W
After reset	0	0	0	0	0	0	0	0

➔ **Example:** uses YZ register as the data pointer to access data in the RAM address 025H of bank0.

```

B0MOV    Y, #00H           ; To set RAM bank 0 for Y register
B0MOV    Z, #25H           ; To set location 25H for Z register
B0MOV    A, @YZ            ; To read a data into ACC
    
```

➔ **Example:** uses the YZ register as data pointer to clear the RAM data

```

B0MOV    Y, #0             ; Y = 0, bank 0
B0MOV    Z, #07FH          ; Y = 7FH, the last address of the data memory area
    
```

CLR\_YZ\_BUF:

```

CLR      @YZ               ; Clear @YZ to be zero

DECMS    Z                 ; Z - 1, if Z= 0, finish the routine
JMP      CLR_YZ_BUF        ; Not zero
    
```

```

CLR      @YZ               ; End of clear general purpose data memory area of bank 0
END_CLR:
    
```

## R REGISTERS

R register is an 8-bit buffer. There are two major functions of the register.

- can be used as working register
- for store high-byte data of look-up table  
(MOVC instruction executed, the high-byte data of specified ROM address will be stored in R register and the low-byte data will be stored in ACC).

082H	Bit 7	Bit 6	Bit 5	Bit 4	Bit 3	Bit 2	Bit 1	Bit 0
<b>R</b>	RBIT7	RBIT6	RBIT5	RBIT4	RBIT3	RBIT2	RBIT1	RBIT0
Read/Write	R/W	R/W	R/W	R/W	R/W	R/W	R/W	R/W
After reset	0	0	0	0	0	0	0	0

➤ **Note: Please refer to the “LOOK-UP TABLE DESCRIPTION” about R register look-up table application.**



## PROGRAM FLAG

The PFLAG includes carry flag (C), decimal carry flag (DC) and zero flag (Z). If the result of operating is zero or there is carry, borrow occurrence, then these flags will be set to PFLAG register.

086H	Bit 7	Bit 6	Bit 5	Bit 4	Bit 3	Bit 2	Bit 1	Bit 0
<b>PFLAG</b>	NT0	NPD	-	-	-	C	DC	Z
Read/Write	R/W	R/W	-	-	-	R/W	R/W	R/W
After reset	-	-	-	-	-	0	0	0

## RESET/WAKEUP FLAG

NT0	NPD	Description
0	0	During the sleep mode, the device wakes up by the watch dog. Such function only valid when users set "INT_16K_RC" code option as "Always_On"
0	1	Watchdog timer overflow in normal/slow/green mode.
1	0	During the sleep mode, the device wakes up by the reset pin.
1	1	External reset or LVD reset active

Note: Watchdog timer can also be used as a fixed-period timer if the watchdog reset function has been disabled.

## CARRY FLAG

C = 1: When executed arithmetic addition with overflow or executed arithmetic subtraction without borrow or executed rotation instruction with logic "1" shifting out.

C = 0: When executed arithmetic addition without overflow or executed arithmetic subtraction with borrow or executed rotation instruction with logic "0" shifting out.

## DECIMAL CARRY FLAG

DC = 1: If executed arithmetic addition with overflow of low nibble or executed arithmetic subtraction without borrow of low nibble.

DC = 0: If executed arithmetic addition without overflow of low nibble or executed arithmetic subtraction with borrow of low nibble.

## ZERO FLAG

Z = 1: When the content of ACC or target memory is zero after executing instructions involving a zero flag.

Z = 0: When the content of ACC or target memory is not zero after executing instructions involving a zero flag.

## ACCUMULATOR

The ACC is an 8-bit data register responsible for transferring or manipulating data between ALU and data memory. If the result of operating is zero (Z) or there is carry (C or DC) occurrence, then these flags will be set to PFLAG register.

ACC is not in data memory (RAM), so ACC can't be access by "B0MOV" instruction during the instant addressing mode.

### ⇒ Example: Read and write ACC value.

; Read ACC data and store in BUF data memory

```
MOV     BUF, A
```

; Write a immediate data into ACC

```
MOV     A, #0FH
```

; Write ACC data from BUF data memory

```
MOV     A, BUF
```

The system doesn't store ACC and PFLAG value when interrupt executed. ACC and PFLAG data must be saved to other data memories.

### ⇒ Example: Protect ACC and working registers.

```
ACCBUF EQU 00H ; ACCBUF is ACC data buffer.
PFLAGBUF EQU 01H ; PFLAGBUF is PFLAG data buffer.
```

INT\_SERVICE:

```
B0XCH A, ACCBUF ; Store ACC value
B0MOV A, PFLAG ; Store PFLAG value
B0MOV PFLAGBUF, A
```

```
.
.
.
```

```
B0MOV A, PFLAGBUF ; Re-load PFLAG value
B0MOV PFLAG, A
B0XCH A, ACCBUF ; Re-load ACC by B0XCH command, and which will not
; affect the PFLAG again.
```

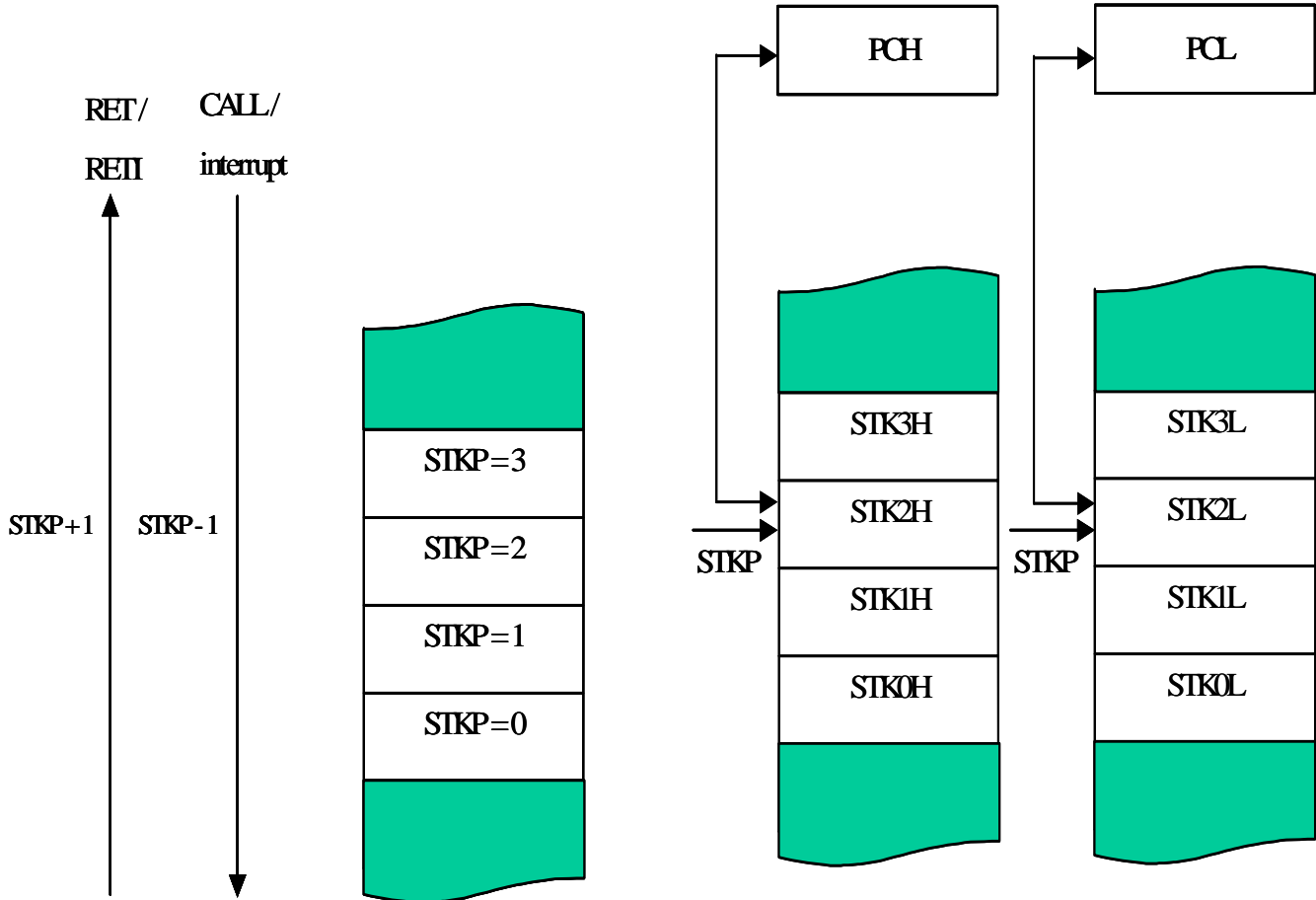
```
RETI ; Exit interrupt service vector
```

➤ **Note:** To save and re-load ACC data, users must use "B0XCH" instruction, or else the PFLAG Register might be modified by ACC operation.

# STACK OPERATIONS

## OVERVIEW

The stack buffer of SN8P1602B has 4-level. These buffers are designed to push and pop up program counter's (PC) data when interrupt service routine is executed. The STKP register is a pointer designed to point active level in order to push or pop up data from stack buffer. The STKnH and STKnL are the stack buffers to store program counter (PC) data.



## STACK REGISTERS

The stack pointer (STKP) is a 3-bit register to store the address used to access the stack buffer, 10-bit data memory (STKnH and STKnL) set aside for temporary storage of stack addresses.

The two stack operations are writing to the top of the stack (push) and reading from the top of stack (pop). Push operation decrements the STKP and the pop operation increments each time. That makes the STKP always point to the top address of stack buffer and write the last program counter value (PC) into the stack buffer.

The program counter (PC) value is stored in the stack buffer before a CALL instruction executed or during interrupt service routine. Stack operation is a LIFO type (Last in and first out). The stack pointer (STKP) and stack buffer (STKnH and STKnL) are located in the system register area bank 0.

➤ **SN8P1602B**

0DFH	Bit 7	Bit 6	Bit 5	Bit 4	Bit 3	Bit 2	Bit 1	Bit 0
<b>STKP</b>	GIE	-	-	-	-	STKPB2	STKPB1	STKPB0
Read/Write	R/W	-	-	-	-	R/W	R/W	R/W
After reset	0	-	-	-	-	1	1	1

STKPBn: Stack pointer (n = 0 ~ 2)

GIE: Global interrupt control bit. 0 = disable, 1 = enable. Please refer to the interrupt chapter.

➡ **Example: Stack pointer (STKP) reset, we strongly recommended to clear the stack pointers in the beginning of the program.**

```
MOV      A, #00000111B
B0MOV   STKP, A
```

➤ **SN8P1602B**

0F0H~0FFH	Bit 7	Bit 6	Bit 5	Bit 4	Bit 3	Bit 2	Bit 1	Bit 0
<b>STKnH</b>	-	-	-	-	-	-	SnPC9	SnPC8
Read/Write	-	-	-	-	-	-	R/W	R/W
After reset	-	-	-	-	-	-	0	0

**STKn = <STKnH , STKnL> (n = 3 ~ 0)**

➤ **SN8P1602B**

0F0H~0FFH	Bit 7	Bit 6	Bit 5	Bit 4	Bit 3	Bit 2	Bit 1	Bit 0
<b>STKnL</b>	SnPC7	SnPC6	SnPC5	SnPC4	SnPC3	SnPC2	SnPC1	SnPC0
Read/Write	R/W	R/W	R/W	R/W	R/W	R/W	R/W	R/W
After reset	0	0	0	0	0	0	0	0

**For SN8P1602B : STKn = <STKnH , STKnL> (n = 3 ~ 0)**

## STACK OPERATION EXAMPLE

The two kinds of Stack-Save operations refer to the stack pointer (STKP) and write the content of program counter (PC) to the stack buffer are CALL instruction and interrupt service. Under each condition, the STKP decreases and points to the next available stack location. The stack buffer stores the program counter about the op-code address. The Stack-Save operation is as the following table.

➤ **SN8P1602B**

Stack Level	STKP Register			Stack Buffer		Description
	STKPB2	STKPB1	STKPB0	High Byte	Low Byte	
0	1	1	1	Free	Free	-
1	1	1	0	STK0H	STK0L	-
2	1	0	1	STK1H	STK1L	-
3	1	0	0	STK2H	STK2L	-
4	0	1	1	STK3H	STK3L	-
> 4	0	1	0	-	-	Stack Over, error

There are Stack-Restore operations correspond to each push operation to restore the program counter (PC). The RETI instruction uses for interrupt service routine. The RET instruction is for CALL instruction. When a pop operation occurs, the STKP is incremented and points to the next free stack location. The stack buffer restores the last program counter (PC) to the program counter registers. The Stack-Restore operation is as the following table.

➤ **SN8P1602B**

Stack Level	STKP Register			Stack Buffer		Description
	STKPB2	STKPB1	STKPB0	High Byte	Low Byte	
4	0	1	1	STK3H	STK3L	-
3	1	0	0	STK2H	STK2L	-
2	1	0	1	STK1H	STK1L	-
1	1	1	0	STK0H	STK0L	-
0	1	1	1	Free	Free	-

## PROGRAM COUNTER

The program counter (PC) is a 10-bit binary counter separated into the high-byte 2 and the low-byte 8 bits. This counter is responsible for pointing a location in order to fetch an instruction for kernel circuit. Normally, the program counter is automatically incremented with each instruction during program execution.

Besides, it can be replaced with specific address by executing CALL or JMP instruction. When JMP or CALL instruction is executed, the destination address will be inserted to bit 0 ~ bit 9.

**SN8P1602B**

	Bit 15	Bit 14	Bit 13	Bit 12	Bit 11	Bit 10	Bit 9	Bit 8	Bit 7	Bit 6	Bit 5	Bit 4	Bit 3	Bit 2	Bit 1	Bit 0
<b>PC</b>	-	-	-	-	-	-	PC9	PC8	PC7	PC6	PC5	PC4	PC3	PC2	PC1	PC0
After reset	-	-	-	-	-	-	0	0	0	0	0	0	0	0	0	0
	PCH							PCL								

## ONE ADDRESS SKIPPING

There are nine instructions (CMPRS, INCS, INCMS, DECS, DECMS, BTS0, BTS1, B0BTS0, B0BTS1) with one address skipping function. If the result of these instructions is true, the PC will add 2 steps to skip next instruction.

*If the condition of bit test instruction is true, the PC will add 2 steps to skip next instruction.*

```

B0BTS1   FC           ; To skip, if Carry_flag = 1
JMP      C0STEP      ; Else jump to C0STEP.
C0STEP:   .
          NOP

B0MOV    A, BUF0     ; Move BUF0 value to ACC.
B0BTS0   FZ           ; To skip, if Zero flag = 0.
JMP      C1STEP      ; Else jump to C1STEP.
C1STEP:   .
          NOP

```

*If the ACC is equal to the immediate data or memory, the PC will add 2 steps to skip next instruction.*

```

CMPRS    A, #12H     ; To skip, if ACC = 12H.
JMP      C0STEP      ; Else jump to C0STEP.
C0STEP:   .
          NOP

```

*If the destination increased by 1, which results overflow of 0xFF to 0x00, the PC will add 2 steps to skip next instruction.*

**INCS instruction:**

```

INCS     BUF0
JMP      C0STEP      ; Jump to C0STEP if ACC is not zero.
C0STEP:   ...
          NOP

```

**INCMS instruction:**

```

INCMS    BUF0
JMP      C0STEP      ; Jump to C0STEP if BUF0 is not zero.
C0STEP:   ...
          NOP

```

*If the destination decreased by 1, which results underflow of 0x00 to 0xFF, the PC will add 2 steps to skip next instruction.*

**DECS instruction:**

```

DECS     BUF0
JMP      C0STEP      ; Jump to C0STEP if ACC is not zero.
C0STEP:   ...
          NOP

```

**DECMS instruction:**

```

DECMS    BUF0
JMP      C0STEP      ; Jump to C0STEP if BUF0 is not zero.
C0STEP:   ...
          NOP

```

## MULTI-ADDRESS JUMPING

Users can jump around the multi-address by either JMP instruction or ADD M, An instruction (M = PCL) to activate multi-address jumping function. If carry flag occurs after execution of ADD PCL, A, the carry flag will not affect PCH register.

⇒ **Example: If PC = 0323H (PCH = 03H, PCL = 23H)**

```
; PC = 0323H
MOV      A, #28H
B0MOV   PCL, A           ; Jump to address 0328H
.
.
.
; PC = 0328H
MOV      A, #00H
B0MOV   PCL, A           ; Jump to address 0300H
```

⇒ **Example: If PC = 0323H (PCH = 03H, PCL = 23H)**

```
; PC = 0323H
B0ADD   PCL, A           ; PCL = PCL + ACC, the PCH cannot be changed.
JMP     A0POINT         ; If ACC = 0, jump to A0POINT
JMP     A1POINT         ; ACC = 1, jump to A1POINT
JMP     A2POINT         ; ACC = 2, jump to A2POINT
JMP     A3POINT         ; ACC = 3, jump to A3POINT
.
.
.
;
```

# 4 ADDRESSING MODE

## OVERVIEW

The SN8P1602B provides three addressing modes to access RAM data, including immediate addressing mode, directly addressing mode and indirectly address mode.

### IMMEDIATE ADDRESSING MODE

The immediate addressing mode uses an immediate data to set up the location (“MOV A, # I”, “B0MOV M, # I”) in ACC or specific RAM.

#### *Immediate addressing mode*

MOV A, #12H ; To set an immediate data 12H into ACC

### DIRECTLY ADDRESSING MODE

The directly addressing mode moves the content of RAM location in or out of ACC.(“MOV A,12H”, “MOV 12H, A”).

#### *Directly addressing mode*

B0MOV A, 12H ; To get a content of location 12H of bank 0 and save in ACC

### INDIRECTLY ADDRESSING MODE

The indirectly addressing mode is to access the memory by the data pointer registers (Y/Z).

#### ➔ Example: Indirectly addressing mode with @YZ register

CLR Y ; To clear Y register to access RAM bank 0.  
B0MOV Z, #12H ; To set an immediate data 12H into Z register.  
B0MOV A, @YZ ; Use data pointer @YZ reads a data from RAM location  
; 012H into ACC.



# 5 SYSTEM REGISTER

## OVERVIEW

The RAM area located in 80H~FFH bank 0 is system register area. The main purpose of system registers is to control peripheral hardware of the chip. Using system registers can control I/O ports, timers and counters by programming. The memory map provides an easy and quick reference source for writing application program. These system registers accessing is controlled by the selected memory bank (RBANK = 0) or the bank 0 read/write instruction (B0MOV, B0BSET, B0BCLR...).

## SYSTEM REGISTER ARRANGEMENT (BANK 0)

### BYTES of SYSTEM REGISTER

#### ➤ SN8P1602B

	0	1	2	3	4	5	6	7	8	9	A	B	C	D	E	F
8	-	-	R	Z	Y	-	PFLAG	RPAGE	-	-	-	-	-	-	-	-
9	-	-	-	-	-	-	-	-	-	-	-	-	-	-	-	-
A	-	-	-	-	-	-	-	-	-	-	-	-	-	-	-	-
B	-	-	-	-	-	-	-	-	-	-	-	-	-	-	PUR	PEDGE
C	P1W	P1M	P2M	-	-	-	-	-	INTRQ	INTEN	OSCM	-	-	-	PCL	PCH
D	P0	P1	P2	-	-	-	-	-	T0M	-	TC0M	TC0C	-	-	-	STKP
E	-	-	-	-	-	-	-	@YZ	-	-	-	-	-	-	-	-
F	-	-	-	-	-	-	-	-	STK3L	STK3H	STK2L	STK2H	STK1L	STK1H	STK0L	STK0H

#### Description

PFLAG = ROM page and special flag register.

P1W = Port 1 wakeup register.

PnM = Port n input/output mode register.

INTRQ = Interrupt request register.

OSCM = Oscillator mode register.

TCnM = Timer n mode register.

T0M.1= TC0GN, TC0 green mode wakeup flag.

STKP = Stack pointer buffer.

@YZ = RAM YZ indirect addressing index pointer.

R = Working register and ROM look-up data buffer.

Y, Z = Working, @YZ and ROM addressing register.

Pn = Port n data buffer.

INTEN = Interrupt enable register.

PCH, PCL = Program counter.

TCnC = Timer n counting register.

STK0~STK3 = Stack 0 ~ stack 3 buffer.

## BITS of SYSTEM REGISTER

➤ **SN8P1602B system register table**

Address	Bit7	Bit6	Bit5	Bit4	Bit3	Bit2	Bit1	Bit0	R/W	Remarks
082H	RBIT7	RBIT6	RBIT5	RBIT4	RBIT3	RBIT2	RBIT1	RBIT0	R/W	R
083H	ZBIT7	ZBIT6	ZBIT5	ZBIT4	ZBIT3	ZBIT2	ZBIT1	ZBIT0	R/W	Z
084H	YBIT7	YBIT6	YBIT5	YBIT4	YBIT3	YBIT2	YBIT1	YBIT0	R/W	Y
086H	NT0	NPD	-	-	-	C	DC	Z	R/W	PFLAG
0BEH	-	-	-	-	-	PUR2	PUR1	PUR0	W	PUR
0BFH	PEDGEN	-	-	P00G1	P00G0	-	-	-	W	PEDGE
0C0H	0	0	0	P14W	P13W	P12W	P11W	P10W	R/W	P1W wakeup register
0C1H	0	0	0	P14M	P13M	P12M	P11M	P10M	R/W	P1M I/O direction
0C2H	P27M	P26M	P25M	P24M	P23M	P22M	P21M	P20M	R/W	P2M I/O direction
0C8H	0	0	TC0IRQ	0	0	0	0	P00IRQ	R/W	INTRQ
0C9H	0	0	TC0IEN	0	0	0	0	P00IEN	R/W	INTEN
0CAH	WTCKS	WDRST	0	CPUM1	CPUM0	CLKMD	STPHX	0	R/W	OSCM
0CEH	PC7	PC6	PC5	PC4	PC3	PC2	PC1	PC0	R/W	PCL
0CFH	-	-	-	-	-	-	-	PC9	R/W	PCH
0D0H	-	-	-	-	-	-	-	P00	R	P0 data buffer
0D1H	-	-	-	P14	P13	P12	P11	P10	R/W	P1 data buffer
0D2H	P27	P26	P25	P24	P23	P22	P21	P20	R/W	P2 data buffer
0D8H	-	-	-	-	-	-	TC0GN	-	R/W	T0M
0DAH	TC0ENB	TC0rate2	TC0rate1	TC0rate0	TC0CKS	0	0	0	R/W	TC0M
0DBH	TC0C7	TC0C6	TC0C5	TC0C4	TC0C3	TC0C2	TC0C1	TC0C0	R/W	TC0C
0DFH	GIE	-	-	-	-	STKPB2	STKPB1	STKPB0	R/W	STKP stack pointer
0E7H	@YZ7	@YZ6	@YZ5	@YZ4	@YZ3	@YZ2	@YZ1	@YZ0	R/W	@YZ index pointer
0F8H	S3PC7	S3PC6	S3PC5	S3PC4	S3PC3	S3PC2	S3PC1	S3PC0	R/W	STK3L
0F9H	-	-	-	-	-	-	S3PC9	S3PC8	R/W	STK3H
0FAH	S2PC7	S2PC6	S2PC5	S2PC4	S2PC3	S2PC2	S2PC1	S2PC0	R/W	STK2L
0FBH	-	-	-	-	-	-	S2PC9	S2PC8	R/W	STK2H
0FCH	S1PC7	S1PC6	S1PC5	S1PC4	S1PC3	S1PC2	S1PC1	S1PC0	R/W	STK1L
0FDH	-	-	-	-	-	-	S1PC9	S1PC8	R/W	STK1H
0FEH	S0PC7	S0PC6	S0PC5	S0PC4	S0PC3	S0PC2	S0PC1	S0PC0	R/W	STK0L
0FFH	-	-	-	-	-	-	S0PC9	S0PC8	R/W	STK0H

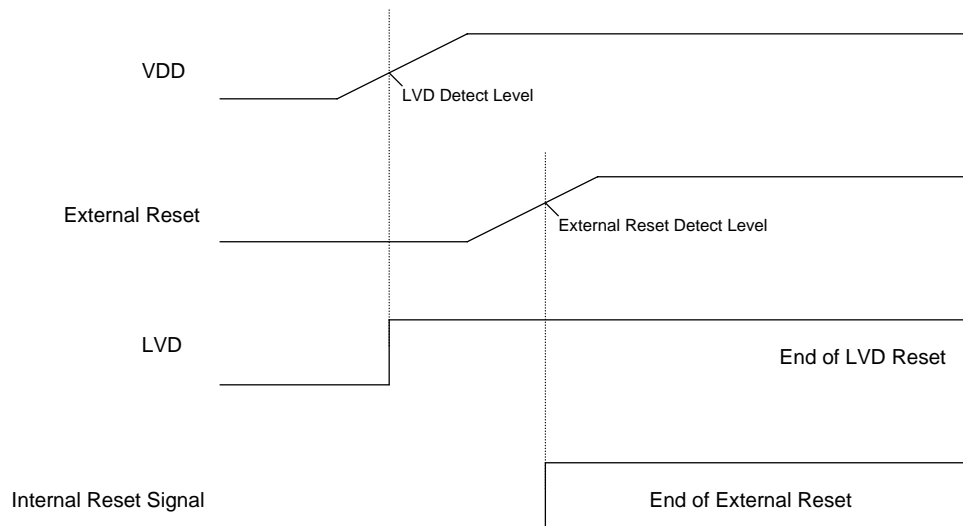
➤ **Note**

- a). To avoid system error, please be sure to put all the "0" as it indicates in the above table
- b). All of register names had been declared in SN8ASM assembler.
- c). One-bit name had been declared in SN8ASM assembler with "F" prefix code.
- d). "b0bset", "b0bclr", "bset", "bclr" instructions are only available to the "R/W" registers.
- e). For detail description, please refer to the "System Register Quick Reference Table"

# 6 POWER ON RESET

## OVERVIEW

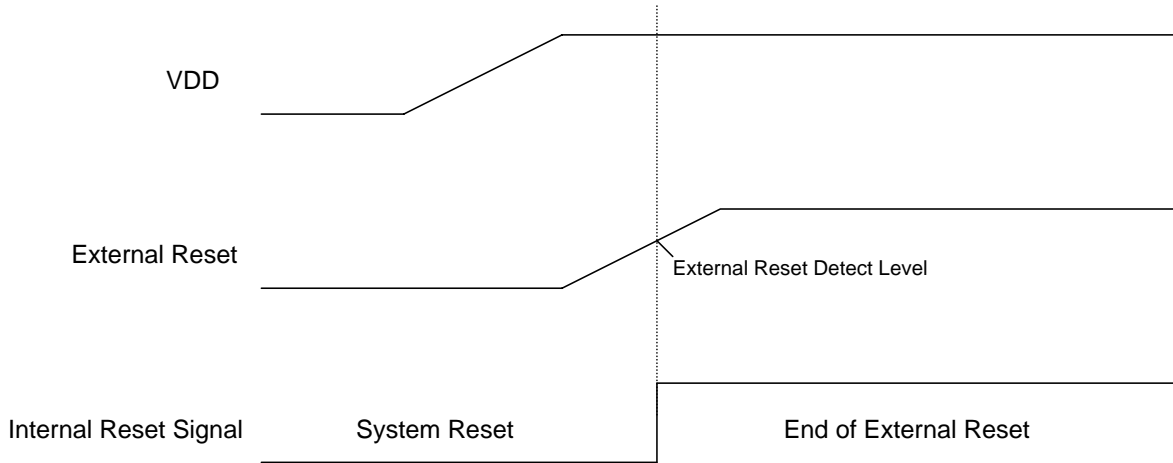
SN8P1602B provides two system resets. One is external reset and the other is internal low voltage detector (LVD). The external reset is a simple RC circuit connecting to the reset pin. The low voltage detector (LVD) is built in internal circuit. When one of the reset devices occurs, the system will reset and the system registers become initial value. The timing diagram is as the following.



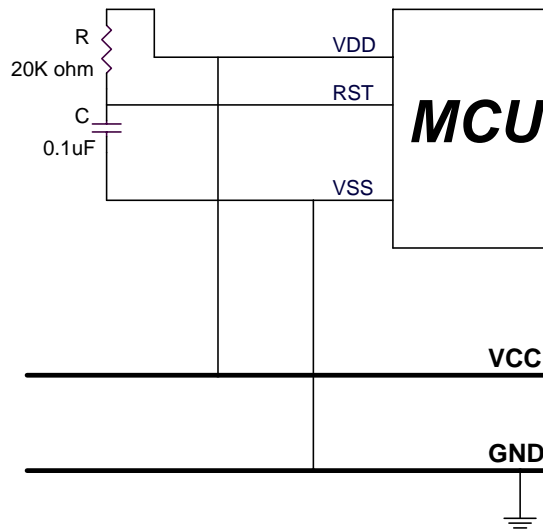
**SN8P1602B power on reset timing diagram**

## EXTERNAL RESET DESCRIPTION

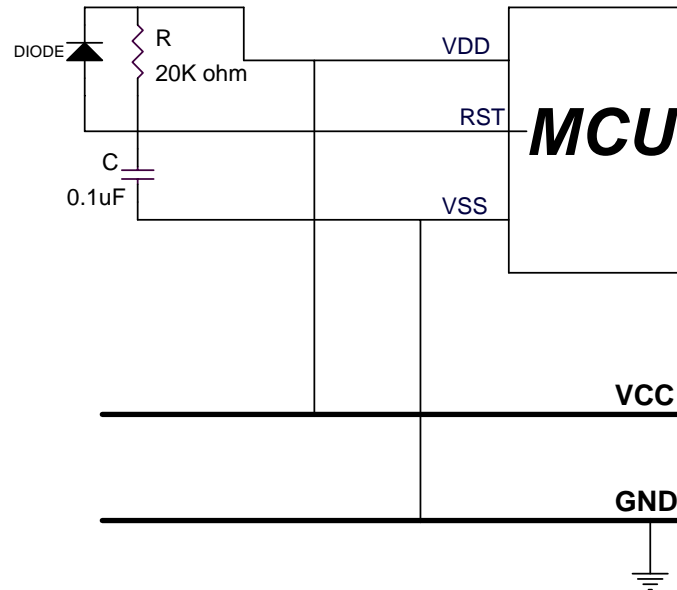
The external reset is a low level active device. The reset pin receives the low voltage and resets the system. When the voltage detects high level, it stops resetting the system. Users can use an external reset circuit to control system operation.



Users must make sure the VDD is stable earlier than external reset. Otherwise, the power on reset maybe fail. The external reset circuit is a simple RC circuit as the following figure.

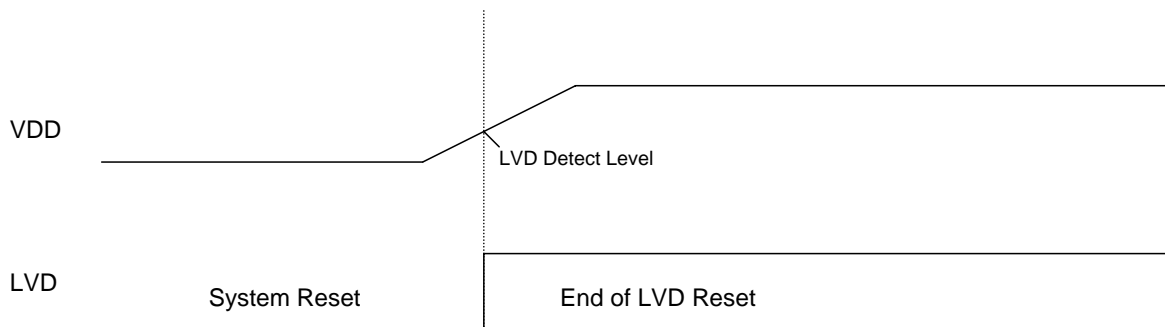


Under different environment, by placing a diode in between VCC and reset pin will help the Brownout reset.



## LOW VOLTAGE DETECTOR (LVD) DESCRIPTION

The LVD is a low voltage detector. It detects VDD level and reset the system as the VDD lower than the detected voltage. The detect level is 1.8V. If the VDD lower than 1.8V, the system resets.



# 7 OSCILLATORS

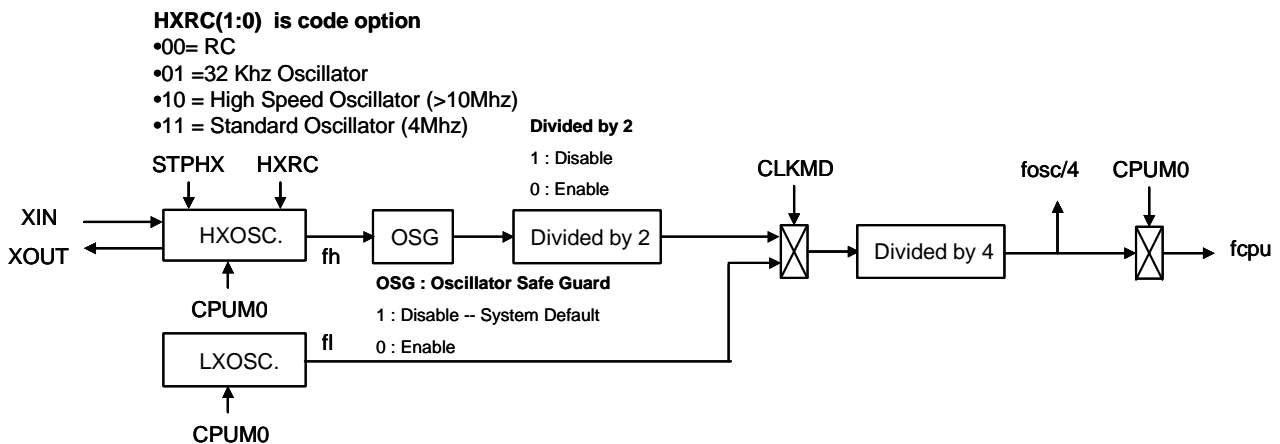
## OVERVIEW

The SN8P1602B is a dual clock micro-controller system. There are external high-speed clock and internal low-speed clock. The high-speed clock is generated from the external oscillator circuit. The low-speed clock is generated from on-chip RC oscillator circuit.

Both the external high-speed clock and the internal low-speed clock can be system clock ( $F_{osc}$ ). The system clock is divided by 4 to be the instruction cycle ( $F_{cpu}$ ).

$$F_{cpu} = F_{osc} / 4$$

## CLOCK BLOCK DIAGRAM



- HXOSC: External high-speed clock
- LXOSC: Internal low-speed clock
- OSG: Oscillator safe guard

## OSCM REGISTER DESCRIPTION

The OSCM register is an oscillator control register. It controls oscillator status, system mode, watchdog timer clock rate.

OCAH	Bit 7	Bit 6	Bit 5	Bit 4	Bit 3	Bit 2	Bit 1	Bit 0
<b>OSCM</b>	WTCKS	WDRST	0	CPUM1	CPUM0	CLKMD	STPHX	0
Read/Write	R/W	R/W	-	R/W	R/W	R/W	R/W	-
After reset	0	0	-	0	0	0	0	-

STPHX: External high-speed oscillator control bit. 0 = free run, 1 = stop. This bit only controls external high-speed oscillator. If STPHX=1, the internal low-speed RC oscillator is still running.

CLKMD: System high/Low clock mode: bit 0 = normal (dual) mode, 1 = slow mode.

CPUM1, CPUM0: CPU operating mode control bit:

- 00 = normal
- 01 = sleep (power down) mode
- 10 = green mode
- 11 = reserved.

WDRST: Watchdog timer reset bit

- 0 = Non-reset
  - 1 = clear the watchdog timer's counter.
- Please refer to the "watchdog timer chapter" for detailed information.

WTCKS: Watchdog clock source

- 0 = Fcpu
- 1 = internal RC low clock

## EXTERNAL HIGH-SPEED OSCILLATOR

SN8P1602B can be operated in four different oscillator modes. There are external RC oscillator modes, high crystal/resonator mode (12M code option), standard crystal/resonator mode (4M code option) and low crystal mode (32K code option). For different application, the users can select one of suitable oscillator mode by programming code option to generate system high-speed clock source after reset.

### ➔ Example: Stop external high-speed oscillator

`B0BSET FSTPHX` ; To stop external high-speed oscillator only.

### ➔ Example: When entering the Power Down mode, both external high-speed oscillator and internal low-speed oscillator will be stopped.

`B0BSET FCPUM0` ; To stop external high-speed oscillator and internal low-speed oscillator called power down mode (sleep mode).

## OSCILLATOR MODE CODE OPTION

SN8P1602B has four oscillator modes for different applications. These modes are 4M, 12M, 32K and RC. The main purpose is to support different oscillator types and frequencies. MCU needs more current when operating at High-speed mode than the low-speed mode. For crystals, there are three steps to select. If the oscillator is RC type, to select "RC" and the system will divide the frequency by 2 automatically. User can select oscillator mode from code option table before compiling. Following is the code option table.

Code Option	Oscillator Mode	Remark
00	RC mode	Output the Fcpu square wave from Xout pin.
01	32K	32768Hz
10	12M	12MHz ~ 16MHz
11	4M	3.58MHz

## OSCILLATOR DEVIDE BY 2 CODE OPTION

SN8P1602B has a code option to divide external clock by 2, called "High\_Clk / 2". If "High\_Clk / 2" is enabled, the external clock frequency is divided by 8 for the Fcpu. Fcpu is equal to Fosc/8. If "High\_Clk / 2" is disabled, the Fcpu is equal to Fosc/4.

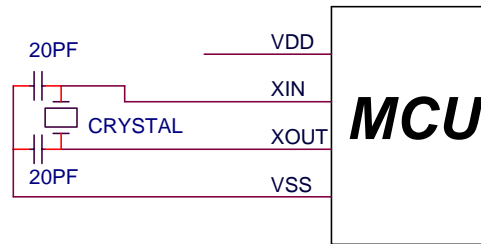
➤ **Note:** In RC mode, "High\_Clk / 2" is always enabled.

## OSCILLATOR SAFE GUARD CODE OPTION

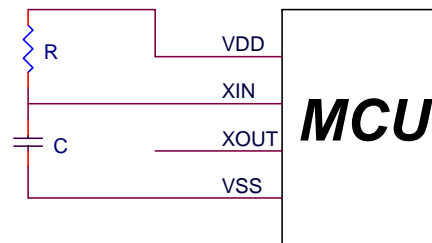
SN8P1602B builds in an oscillator safe guard (OSG) to make oscillator more stable. It is a low-pass filter circuit and stops high frequency noise into system from external oscillator circuit. This function makes system to work better under AC noisy conditions.



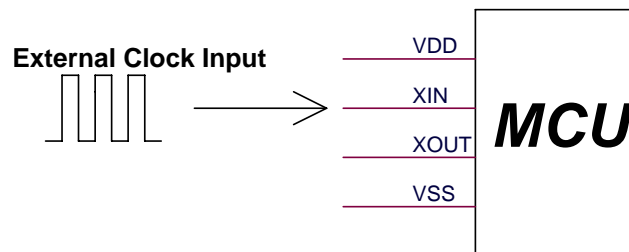
## SYSTEM OSCILLATOR CIRCUITS



**Crystal/Ceramic Oscillator**



**RC Oscillator**



**External clock input**

- **Note1:** The external oscillator circuit must be directly from Vss pin of micro-controller.
- **Note2:** The input source of XIN pin received from external oscillator circuit, the code option can be either be RC type oscillator or crystal type oscillator.
- **Note3:** In RC type oscillator code option situation, the external clock frequency is automatically divided by 2.

## External RC Oscillator Frequency Measurement

There are two ways to get the Fosc frequency of external RC oscillator. One way is to measure the XOUT output waveform. Moreover, the other way is to measure the external RC frequency by software instruction cycle (Fcpu).

### ➤ Example: Fcpu instruction cycle of external oscillator

```
B0BSET    P1M.0           ; Set P1.0 to be output mode for outputting Fcpu toggle signal.
```

@@:

```
B0BSET    P1.0           ; Output Fcpu toggle signal in low-speed clock mode.  
B0BCLR    P1.0           ; Measure the Fcpu frequency by oscilloscope.  
JMP       @B
```

- **Note:** Do not measure the RC frequency directly from XIN, the probe impedance will affect the RC value.

## INTERNAL LOW-SPEED OSCILLATOR

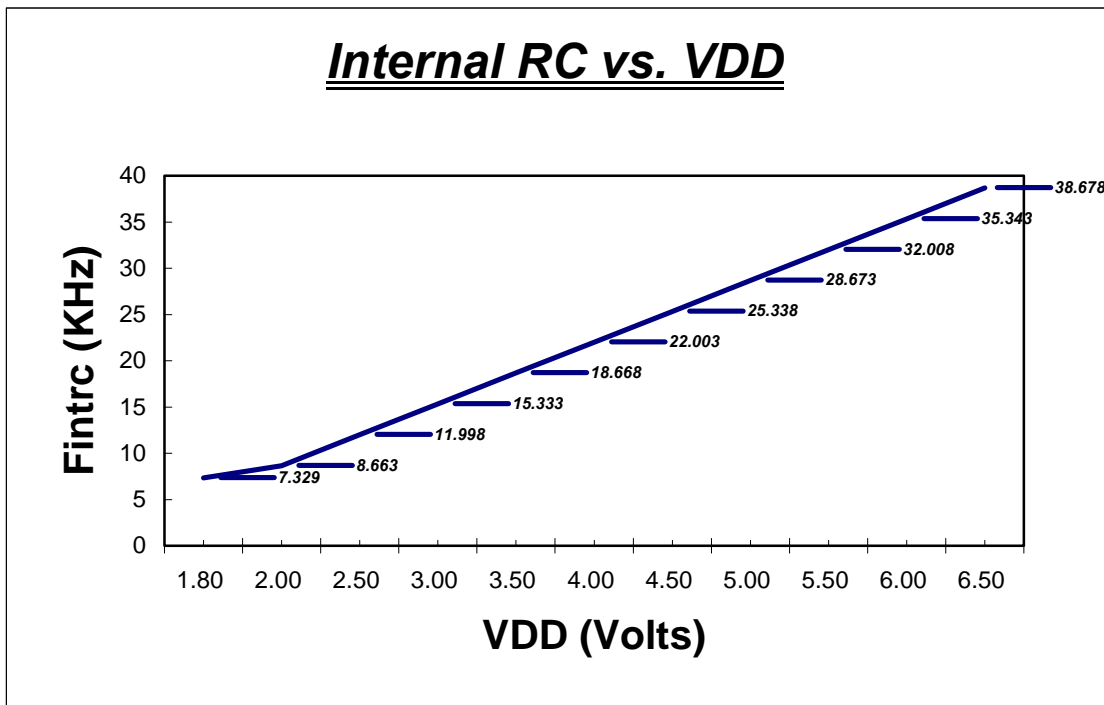
The internal low-speed oscillator is built in the micro-controller. The low-speed clock source is a RC type oscillator circuit.

➔ **Example: Stop internal low-speed oscillator**

```
B0BSET    FCPUM0           ; To stop external high-speed oscillator and internal low-speed
                                ; oscillator called power down mode (sleep mode).
```

➤ **Note: The internal low-speed clock can't be turned off individually. It is controlled by CPUM0 bit of OSCM register.**

The low-speed oscillator uses RC type oscillator circuit. The frequency is affected by the voltage and temperature of the system. In common condition, the frequency of the RC oscillator is about 16KHz at 3V and 32KHz at 5V. The relation between the RC frequency and voltage is as the following figure.



➔ **Example: Measure the internal RC frequency by instruction cycle (Fcpu). The internal RC frequency is the Fcpu multiplied by 4. We can get the Fosc frequency of internal RC from the Fcpu frequency.**

```
B0BSET    P1M.0           ; Set P1.0 to be output mode for outputting Fcpu toggle signal.

B0BSET    FCLKMD          ; Switch the system clock to internal low-speed clock mode.

@@:
B0BSET    P1.0             ; Output Fcpu toggle signal in low-speed clock mode.
B0BCLR    P1.0             ; Measure the Fcpu frequency by oscilloscope.
JMP      @B
```

---

---

## SYSTEM MODE DESCRIPTION

### OVERVIEW

The chip is featured with low power consumption by switching around four different modes as following.

- High-speed mode
- Low-speed mode
- Power-down mode (Sleep mode)
- Green mode

### NORMAL MODE

In normal mode, the system clock source is external high-speed clock. After power on, the system works under normal mode. The instruction cycle is  $f_{osc}/4$ . When the external high-speed oscillator is 3.58MHz, the instruction cycle is  $3.58\text{MHz}/4 = 895\text{KHz}$ . From normal mode, the system can get into power down mode, slow mode and green mode.

### SLOW MODE

In slow mode, the system clock source is internal low-speed RC clock. To set  $\text{CLKMD} = 1$ , the system switches into slow mode. In slow mode, the system functions similar to the normal mode except using the internal RC clock. The system in slow mode can switch back to high-speed normal mode. On the other hand, it can be easily switch to power down mode and green mode for less power consumption.

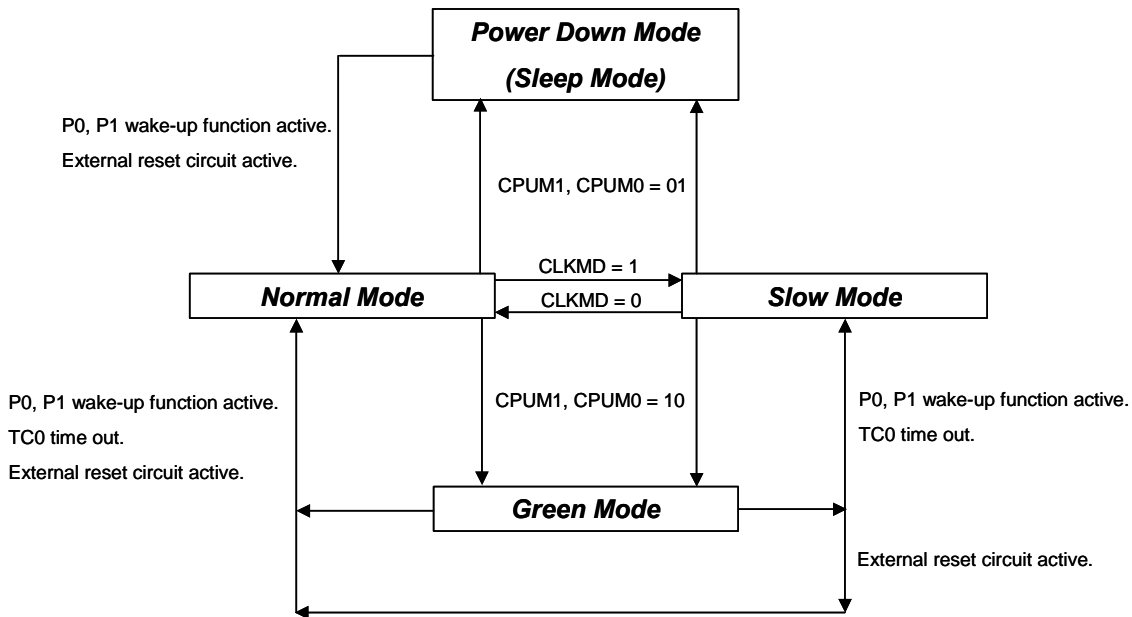
### GREEN MODE

The green mode provides a time-variable wakeup function. Users can decide wakeup time by setting TC0 timer. There are two paths into green mode. One is from normal mode and the other is from slow mode. In normal mode, the TC0 timer overflow time is very short. In slow mode, the overflow time is longer. Users can select appropriate situation for their applications. Under green mode, the power consumption is around 5uA in 3V condition. The system can be waked up to last system mode by TC0 timer timeout and P0 trigger signal.

### POWER DOWN MODE

The power down mode is also called sleep mode. The MCU stops working as sleeping status. To set  $\text{CUPM0} = 1$ , the system gets into power down mode. The external high-speed and low-speed oscillators are turned off. The system can be waked up by P0, P1 trigger signal.

## SYSTEM MODE CONTROL



### SN8P1602B Type

#### Operating mode description

MODE	NORMAL	SLOW	GREEN	POWER DOWN (SLEEP)	REMARK
HX osc.	Running	By STPHX	By STPHX	Stop	
LX osc.	Running	Running	Running	Stop	
CPU instruction	Executing	Executing	Stop	Stop	
TC0 timer	*Active	*Active	*Active	Inactive	* Active by program
Watchdog timer	Active	Active	By INT_16K_RC	By INT_16K_RC	
Internal interrupt	All active	All active	TC0	All inactive	
External interrupt	All active	All active	All active	All inactive	
Wakeup source	-	-	P0, P1, TC0 Reset	P0, P1, Reset	

## SYSTEM MODE SWITCHING

**Switch normal/slow mode to power down (sleep) mode.**  
**CPUM0 = 1**

```
B0BSET      FCPUM0      ; Set CPUM0 = 1.
```

During the sleep, only the wakeup pin and reset can wakeup the system back to the normal mode.

**Switch normal mode to slow mode.**

```
B0BSET      FCLKMD      ;To set CLKMD = 1, Change the system into slow mode
B0BSET      FSTPHX      ;To stop external high-speed oscillator for power saving.
```

**Switch slow mode to normal mode (The external high-speed oscillator is still running)**

```
B0BCLR      FCLKMD      ;To set CLKMD = 0
```

**Switch slow mode to normal mode (The external high-speed oscillator stops)**

If external high clock stop and program want to switch back normal mode. It is necessary to delay at least 10mS for external clock stable.

```
B0BCLR      FSTPHX      ; Turn on the external high-speed oscillator.
@@:         B0MOV        Z, #27      ; If VDD = 5V, internal RC=32KHz (typical) will delay
            DECMS        Z          ; 0.125ms X 81 = 10.125ms for external clock stable
            JMP          @B
            ;
            B0BCLR      FCLKMD      ; Change the system back to the normal mode
```

➔ **Example: Go into Green mode and enable TC0 wakeup function.**

; Set TC0 timer wakeup function.

```
B0BCLR      FTC0IEN      ; To disable TC0 interrupt service
B0BCLR      FTC0ENB      ; To disable TC0 timer
MOV         A,#20H      ;
B0MOV       TC0M,A      ; To set TC0 clock = Fcpu / 64
MOV         A,#74H      ;
B0MOV       TC0C,A      ; To set TC0C initial value = 74H (To set TC0 interval = 10
                        ms)
B0BCLR      FTC0IEN      ; To disable TC0 interrupt service
B0BCLR      FTC0IRQ      ; To clear TC0 interrupt request
B0BSET      FTC0ENB      ; To enable TC0 timer
B0BSET      FTC0GN      ; To enable TC0 wakeup function
```

; Go into green mode

```
B0BCLR      FCPUM0      ;To set CPUMx = 10
B0BSET      FCPUM1
```

➤ **Note: If TC0ENB = 0 or TC0GN = 0, TC0 will not be able to wakeup from green mode to normal/slow mode function.**

## WAKEUP TIME

### OVERVIEW

The external high-speed oscillator needs a delay time from stopping to operating. The delay is necessary for oscillator to be stabilized.. The delay time for external high-speed oscillator restart is sometimes called wakeup time.

Following are two conditions require wakeup time, one is switching power down mode to normal mode, and the other is switching slow mode to normal mode. For the first condition, SN8P1602B provides 2048 oscillator clocks as the wakeup time. The second condition, users need to take the wakeup time into consideration, which involved stabilizing period for start up the external high-speed oscillator.

### HARDWARE WAKEUP

When the system is in power down mode (sleep mode), the external high-speed oscillator stops. When waked up from power down mode, MCU waits for 2048 external high-speed oscillator clocks as the wakeup time to stable the oscillator circuit. After the wakeup time, the system goes into the normal mode. The value of the wakeup time is as the following.

$$\text{The Wakeup time} = 1/F_{osc} * 2048 \text{ (sec)} + X'tal \text{ settling time}$$

The X'tal settling time is depended on the X'tal type. Typically, it is about 2~4mS.

- ➔ **Example: In power down mode (sleep mode), the system is waked up by P0 or P1 trigger signal. After the wakeup time, the system goes into normal mode. The wakeup time of P0, P1 wakeup function is as the following.**

$$\text{The wakeup time} = 1/F_{osc} * 2048 = 0.57 \text{ ms} \quad (F_{osc} = 3.58\text{MHz})$$

$$\text{The total wakeup time} = 0.57\text{ms} + X'tal \text{ settling time}$$

Under power down mode (sleep mode), only the I/O ports with wakeup function are able to wake the system up to normal mode. The Port 0 and Port 1 have wakeup function. Port 0 wakeup function always enables, but the Port 1 is controlled by the P1W register.

#### ➤ SN8P1602B

0C0H	Bit 7	Bit 6	Bit 5	Bit 4	Bit 3	Bit 2	Bit 1	Bit 0
<b>P1W</b>	0	0	0	P14W	P13W	P12W	P11W	P10W
Read/Write	-	-	-	R/W	R/W	R/W	R/W	R/W
After reset	-	-	-	0	0	0	0	0

P10W~P14W: Port 1 wakeup function control bits. 0 = none wakeup function, 1 = Enable each pin of Port 1 wakeup function.

## EXTERNAL WAKEUP TRIGGER CONTROL

In the SN8P1602B, the wakeup trigger direction is control by PEDGE register.

**PEDGE initial value = 0xx0 0xxx**

0BFH	Bit 7	Bit 6	Bit 5	Bit 4	Bit 3	Bit 2	Bit 1	Bit 0
<b>PEDGE</b>	PEDGEN	-	-	P00G1	P00G0	-	-	-
	R/W	-	-	R/W	R/W	-	-	-

- Bit7     **PEDGEN**: Interrupt and wakeup trigger edge control bit.  
 0 = Disable edge trigger function.  
       Port 0: Low-level wakeup trigger and falling edge interrupt trigger.  
       Port 1: Low-level wakeup trigger.  
 1 = Enable edge trigger function.  
       P0.0: Wakeup and interrupt trigger is controlled by P00G1 and P00G0 bits.  
       Port 1: Level change (falling or rising edge) wakeup trigger.
- Bit[4:3]   **P00G[1:0]**: Port 0.0 edge select bits.  
 00 = reserved,  
 01 = rising edge,  
 10 = falling edge,  
 11 = rising/falling bi-direction.



# 8 TIMERS

## WATCHDOG TIMER (WDT)

The watchdog timer (WDT) is a binary up counter designed for monitoring program execution. If the program goes into the unknown status by noise interference, WDT overflow signal raises and resets MCU. The instruction that clears the watchdog timer (" B0BSET FWDRST ") should be executed within a certain period. If an instruction that clears the watchdog timer is not executed within the period and the watchdog timer overflows, reset signal is generated and system is restarted.

0CAH	Bit 7	Bit 6	Bit 5	Bit 4	Bit 3	Bit 2	Bit 1	Bit 0
<b>OSCM</b>	WTCKS	WDRST	0	CPUM1	CPUM0	CLKMD	STPHX	0
Read/Write	R/W	R/W	-	R/W	R/W	R/W	R/W	-
After reset	0	0	-	0	0	0	0	-

WDRST: Watchdog timer reset bit. 0 = Non reset, 1 = clear the watchdog timer counter.

WTCKS: Watchdog clock source select bit 0 = Fcpu, 1 = internal RC low clock.

### Watchdog timer overflow table.

WTCKS	CLKMD	Code Option	Watchdog Timer Overflow Time
0	0	4M_X'tal / 12M_X'tal / RC	$1 / ( F_{cpu} \div 2^{14} \div 16 ) = 293 \text{ ms}$ , Fosc=3.58MHz
0	0	32K_X'tal	$1 / ( F_{cpu} \div 2^8 \div 16 ) = 500 \text{ ms}$ , Fosc=32768Hz
0	1	-	$1 / ( F_{cpu} \div 2^{14} \div 16 ) = 65.5\text{s}$ , Fosc=16KHz@3V
1	-	-	$1 / ( 16\text{K} \div 512 \div 16 ) \sim 0.5\text{s}$ @3V
-	-	Enable Int_16K_RC	$1 / ( 16\text{K} \div 512 \div 16 ) \sim 0.5\text{s}$ @3V

➤ **Note:** The watchdog timer can be enabled or disabled by the code option. If disabled, the watchdog timer can also be served as fixed-period timer by checking the NT0 flag.

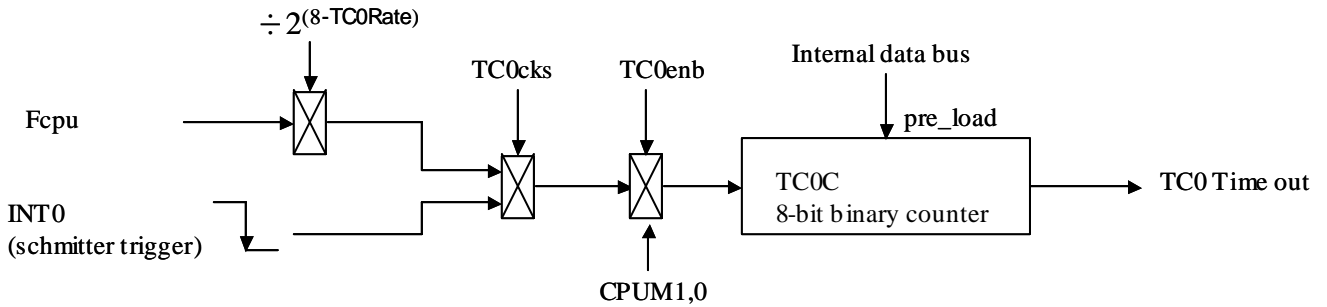
➔ **Example:** An operation of watchdog timer is as following. To clear the watchdog timer counter in the top of the main routine of the program.

```
Main:
      BOBSET      FWDRST      ; Clear the watchdog timer counter.
      .
      CALL      SUB1
      CALL      SUB2
      .
      .
      .
      JMP      MAIN
```

## TIMER0 (TC0)

### OVERVIEW

The TC0 is an 8-bit binary up timer and event counter, using TC0M register to select TC0C's clock source from GTMR or from external INTO pin ( falling edge trigger) for counting a precision time. If TC0 timer occurs an overflow (from FFH to 00H), it will continue counting and issue a time-out signal to trigger TC0 interrupt to request interrupt service.



The main purposes of the TC0 timer is as following.

- **8-bit programmable timer:** Generates interrupts at specific time intervals based on the selected clock frequency.
- **External event counter:** Counts system “events” based on falling edge detection of external clock signals at the INTO input pin.

## TC0M MODE REGISTER

The TC0M is an 8-bit read/write timer mode register. By loading different value into the TC0M register, users can modify the timer period as program executing.

Eight rates for TC0 timer can be selected by TC0RATE0 ~ TC0RATE2 bits. The range is from  $f_{cpu}/2$  to  $f_{cpu}/256$ . The TC0M initial value is zero and the rate is  $f_{cpu}/256$ . The bit7 of TC0M called TC0ENB is the control bit to start TC0 timer. The combination of these bits is to determine the TC0 timer clock frequency and the intervals.

ODAH	Bit 7	Bit 6	Bit 5	Bit 4	Bit 3	Bit 2	Bit 1	Bit 0
<b>TC0M</b>	TC0ENB	TC0rate2	TC0rate1	TC0rate0	TC0CKS	0	0	0
Read/Write	R/W	R/W	R/W	R/W	R/W	-	-	-
After reset	0	0	0	0	0	-	-	-

TC0ENB: TC0 counter enable bit. "0" = disable, "1" = enable.

TC0RATE2~TC0RATE0: TC0 internal clock select bits. 000 =  $f_{cpu}/256$ , 001 =  $f_{cpu}/128$ , ... , 110 =  $f_{cpu}/4$ , 111 =  $f_{cpu}/2$ .

TC0CKS: TC0 clock source select bit. 0 = Fcpu, 1 = External clock comes from INT0/P0.0 pin.

- **Note1: The ICE S8KC does not support the PWM0OUT and TC0OUT Function. The PWM0OUT and TC0OUT must use the S8KD ICE (or later) to verify the function.**
- **Note2: When TC0CKS=1, TC0 became an external event counter. No more P0.0 interrupt request will be raised. (P0.0IRQ will be always 0)**

## TC0C COUNTING REGISTER

TC0C is an 8-bit counter register for the timer (TC0). TC0C must be reset whenever the TC0ENB is set to “1” to start the timer. TC0C is incremented each time a clock pulse of the frequency determined by TC0RATE0 ~ TC0RATE2. When TC0C has incremented to “0FFH”, it counts to “00H” an overflow generated. Under TC0 interrupt service request (TC0IEN) enable condition, the TC0 interrupt request flag will be set to “1” and the system executes the interrupt service routine. The TC0C has no auto reload function. After TC0C overflow, the TC0C is continuing counting. Users need to redefine the TC0C value to get an accurate time.

0DBH	Bit 7	Bit 6	Bit 5	Bit 4	Bit 3	Bit 2	Bit 1	Bit 0
<b>TC0C</b>	TC0C7	TC0C6	TC0C5	TC0C4	TC0C3	TC0C2	TC0C1	TC0C0
Read/Write	R/W	R/W	R/W	R/W	R/W	R/W	R/W	R/W
After reset	0	0	0	0	0	0	0	0

### The basic timer table interval time of TC0

TC0RATE	TC0CLOCK	High speed mode (Fcpu = 3.58MHz / 4)		Low speed mode (Fcpu = 32768Hz / 4)	
		Max overflow interval	One step = max/256	Max overflow interval	One step = max/256
000	fcpu/256	73.2 ms	286us	8000 ms	31.25 ms
001	fcpu/128	36.6 ms	143us	4000 ms	15.63 ms
010	fcpu/64	18.3 ms	71.5us	2000 ms	7.8 ms
011	fcpu/32	9.15 ms	35.8us	1000 ms	3.9 ms
100	fcpu/16	4.57 ms	17.9us	500 ms	1.95 ms
101	fcpu/8	2.28 ms	8.94us	250 ms	0.98 ms
110	fcpu/4	1.14 ms	4.47us	125 ms	0.49 ms
111	fcpu/2	0.57 ms	2.23us	62.5 ms	0.24 ms

The equation of TC0C initial value is as following.

$$\boxed{TC0C \text{ initial value} = 256 - (TC0 \text{ interrupt interval time} * \text{input clock})}$$

- ⇒ **Example:** To set 10ms interval time for TC0 interrupt at 3.58MHz high-speed mode. TC0C value (74H) = 256 - (10ms \* fcpu/64)

$$\begin{aligned}
 TC0C \text{ initial value} &= 256 - (TC0 \text{ interrupt interval time} * \text{input clock}) \\
 &= 256 - (10\text{ms} * 3.58 * 10^6 / 4 / 64) \\
 &= 256 - (10^{-2} * 3.58 * 10^6 / 4 / 64) \\
 &= 116 \\
 &= 74H
 \end{aligned}$$

## TC0 TIMER OPERATION SEQUENCE

The TC0 timer's sequence of operation may be as following.

- Set the TC0C initial value to setup the interval time.
- Set the TC0ENB to be "1" to enable TC0 timer.
- TC0C is incremented by one after each clock pulse corresponding to TC0M selection.
- TC0C overflow if TC0C from FFH to 00H.
- When TC0C overflow occur, the TC0IRQ flag is set to be "1" by hardware.
- Execute the interrupt service routine.
- Users reset the TC0C value and resume the TC0 timer operation.

### ➤ Example: Setup the TC0M and TC0C.

```

B0BCLR    FTC0IEN    ; To disable TC0 interrupt service
B0BCLR    FTC0ENB    ; To disable TC0 timer
MOV       A,#20H     ;
B0MOV     TC0M,A     ; To set TC0 clock = Fcpu / 64
MOV       A,#74H     ; To set TC0C initial value = 74H
B0MOV     TC0C,A     ;(To set TC0 interval = 10 ms)

B0BSET    FTC0IEN    ; To enable TC0 interrupt service
B0BCLR    FTC0IRQ    ; To clear TC0 interrupt request
B0BSET    FTC0ENB    ; To enable TC0 timer

```

### ➤ Example: TC0 interrupt service routine.

```

ORG       8           ; Interrupt vector
JMP       INT_SERVICE

INT_SERVICE:

B0XCH     A, ACCBUF   ; B0xch instruction do not change C,Z flag
B0MOV     A, PFLAG
B0MOV     PFLAGBUF, A

B0BTS1    FTC0IRQ    ; Check TC0IRQ
JMP       EXIT_INT   ; TC0IRQ = 0, exit interrupt vector

B0BCLR    FTC0IRQ    ; Reset TC0IRQ
MOV       A,#74H     ; Reload TC0C
B0MOV     TC0C,A

.         .           ; TC0 interrupt service routine
.         .
JMP       EXIT_INT   ; End of TC0 interrupt service routine and exit interrupt
                        vector

EXIT_INT:

B0MOV     A, PFLAGBUF
B0MOV     PFLAG, A
B0XCH     A, ACCBUF   ; Restore ACC value.

RETI     ; Exit interrupt vector

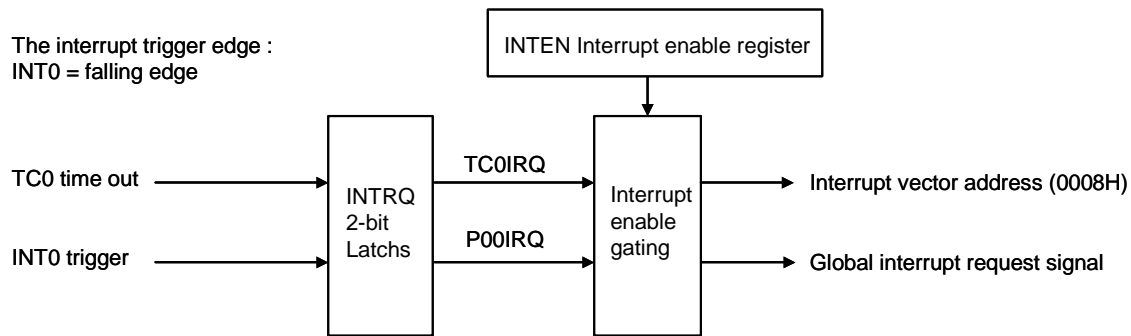
```

# 9 INTERRUPT

## OVERVIEW

The SN8P1602B provides 2 interrupt sources, including 1 internal interrupt (TC0) and 1 external interrupt (INT0). The external interrupt can wakeup the chip while the system is switched from power down mode to high-speed normal mode. Once interrupt service is executed, the GIE bit in STKP register will clear to "0" for stopping other interrupt request. On the contrast, when interrupt service exits, the GIE bit will set to "1" to accept the next interrupts' request. All of the interrupt request signals are stored in INTRQ register.

### ➤ SN8P1602B



### ➤ Note: The GIE bit must enable during all interrupt operation.

## INTEN INTERRUPT ENABLE REGISTER

INTEN is the interrupt request control register including one internal interrupts, one external interrupts enable control bits. One of the register to be set "1" is to enable the interrupt request function. Once of the interrupt occur, the stack is incremented and program jump to ORG 8 to execute interrupt service routines. The program exits the interrupt service routine when the returning interrupt service routine instruction (RETI) is executed.

### ➤ SN8P1602B

0C9H	Bit 7	Bit 6	Bit 5	Bit 4	Bit 3	Bit 2	Bit 1	Bit 0
<b>INTEN</b>	0	0	TC0IEN	0	0	0	0	P00IEN
Read/Write	-	-	R/W	-	-	-	-	R/W
After reset	-	-	0	-	-	-	-	0

P00IEN : External P0.0 interrupt control bit. 0 = disable, 1 = enable.

TC0IEN : Timer 0 interrupt control bit 0 = disable, 1 = enable.

## INTRQ INTERRUPT REQUEST REGISTER

INTRQ is the interrupt request flag register. The register includes all interrupt request indication flags. Each one of the interrupt requests occurs, the bit of the INTRQ register would be set "1". The INTRQ value needs to be clear by programming after detecting the flag. In the interrupt vector of program, users know the any interrupt requests occurring by the register and do the routine corresponding of the interrupt request.

### ➤ SN8P1602B

0C8H	Bit 7	Bit 6	Bit 5	Bit 4	Bit 3	Bit 2	Bit 1	Bit 0
<b>INTRQ</b>	0	0	TC0IRQ	0	0	0	0	P00IRQ
Read/Write	-	-	R/W	-	-	-	-	R/W
After reset	-	-	0	-	-	-	-	0

P00IRQ : External P0.0 interrupt request bit. 0 = non-request, 1 = request.

TC0IRQ : TC0 timer interrupt request controls bit 0 = non request, 1 = request.

When interrupt occurs, the related request bit of INTRQ register will be set to "1" no matter the related enable bit of INTEN register is enabled or disabled. If the related bit of INTEN = 1 and the related bit of INTRQ is also set to be "1". As the result, the system will execute the interrupt vector (ORG 8). If the related bit of INTEN = 0, moreover, the system won't execute interrupt vector even when the related bit of INTRQ is set to be "1". Users need to be cautious with the operation under multi-interrupt situation.

## INTERRUPT OPERATION DESCRIPTION

### GIE GLOBAL INTERRUPT OPERATION

GIE is the global interrupt control bit. All interrupts start work after the GIE = 1. It is necessary for interrupt service request. One of the interrupt requests occurs, and the program counter (PC) points to the interrupt vector (ORG 8) and the stack add 1 level.

➤ **SN8P1602B**

ODFH	Bit 7	Bit 6	Bit 5	Bit 4	Bit 3	Bit 2	Bit 1	Bit 0
<b>STKP</b>	GIE	-	-	-	-	STKPB2	STKPB1	STKPB0
Read/Write	R/W	-	-	-	-	R/W	R/W	R/W
After reset	0	-	-	-	-	1	1	1

GIE: Global interrupt control bit. 0 = disable, 1 = enable.

➔ **Example: Set global interrupt control bit (GIE).**

```
BOBSET          FGIE          ; Enable GIE
```

➤ **Note: The GIE bit must enable during all interrupt operation.**



## INT0 (P0.0) INTERRUPT OPERATION

The P0.0 interrupt trigger direction is control by PEDGE register.

**PEDGE initial value = 0xx0 0xxx**

0BFH	Bit 7	Bit 6	Bit 5	Bit 4	Bit 3	Bit 2	Bit 1	Bit 0
<b>PEDGE</b>	PEDGEN	-	-	P00G1	P00G0	-	-	-
	R/W	-	-	R/W	R/W	-	-	-

Bit7     **PEDGEN:** Interrupt and wakeup trigger edge control bit.  
 0 = Disable edge trigger function.  
       Port 0: Low-level wakeup trigger and falling edge interrupt trigger.  
       Port 1: Low-level wakeup trigger.  
 1 = Enable edge trigger function.  
       P0.0: Wakeup and interrupt trigger is controlled by P00G1 and P00G0 bits.  
       Port 1: Level change (falling or rising edge) wakeup trigger.

Bit[4:3]   **P00G[1:0]:** Port 0.0 edge select bits.  
 00 = reserved,  
 01 = rising edge,  
 10 = falling edge,  
 11 = rising/falling bi-direction.

➔ **Example: INT0 interrupt request setup.**

```

BOBSET      FP00IEN      ; Enable INT0 interrupt service
BOBCLR      FP00IRQ      ; Clear INT0 interrupt request flag
BOBSET      FGIE         ; Enable GIE
  
```

➔ **Example: INT0 interrupt service routine.**

```

INT_SERVICE:
    ORG      8             ; Interrupt vector
    JMP      INT_SERVICE

    BOXCH    A, ACCBUF     ; Store ACC value.
    BOMOV    A, PFLAG
    BOMOV    PFLAGBUF, A

    BOBTS1   FP00IRQ      ; Check P00IRQ
    JMP      EXIT_INT     ; P00IRQ = 0, exit interrupt vector

    BOBCLR   FP00IRQ      ; Reset P00IRQ
    .        .            ; INT0 interrupt service routine
    .        .

EXIT_INT:
    BOMOV    A, PFLAGBUF
    BOMOV    PFLAG, A
    BOXCH    A, ACCBUF     ; Restore ACC value.

    RETI      ; Exit interrupt vector
  
```

When the INT0 trigger occurs, the P00IRQ will be set to "1" no matter the P00IEN is enable or disable. If the P00IEN = 1 and the trigger event P00IRQ is also set to be "1". As the result, the system will execute the interrupt vector (ORG 8). If the P00IEN = 0 and the trigger event P00IRQ is still set to be "1". Moreover, the system won't execute interrupt vector even when the P00IRQ is set to be "1". Users need to be cautious with the operation under multi-interrupt situation.

## TC0 INTERRUPT OPERATION

### ➔ Example: TC0 interrupt request setup.

```

B0BCLR    FTC0IEN    ; Disable TC0 interrupt service
B0BCLR    FTC0ENB    ; Disable TC0 timer
MOV       A, #20H    ;
B0MOV     TC0M, A    ; Set TC0 clock = Fcpu / 64
MOV       A, #74H    ; Set TC0C initial value = 74H
B0MOV     TC0C, A    ; Set TC0 interval = 10 ms

B0BSET    FTC0IEN    ; Enable TC0 interrupt service
B0BCLR    FTC0IRQ    ; Clear TC0 interrupt request flag
B0BSET    FTC0ENB    ; Enable TC0 timer

B0BSET    FGIE       ; Enable GIE

```

### ➔ Example: TC0 interrupt service routine.

```

ORG       8          ; Interrupt vector
JMP      INT_SERVICE

INT_SERVICE:

B0XCH    A, ACCBUF   ; Store ACC value.
B0MOV    A, PFLAG
B0MOV    PFLAGBUF, A

B0BTS1   FTC0IRQ    ; Check TC0IRQ
JMP      EXIT_INT   ; TC0IRQ = 0, exit interrupt vector

B0BCLR   FTC0IRQ    ; Reset TC0IRQ
MOV      A, #74H
B0MOV    TC0C, A    ; Reset TC0C.
.        .          ; TC0 interrupt service routine
.        .

EXIT_INT:

B0MOV    A, PFLAGBUF
B0MOV    PFLAG, A
B0XCH    A, ACCBUF   ; Restore ACC value.

RETI    ; Exit interrupt vector

```

When the TC0C counter overflows, the TC0IRQ will be set to “1” no matter the TC0IEN is enable or disable. If the TC0IEN and the trigger event TC0IRQ is set to be “1”. As the result, the system will execute the interrupt vector. If the TC0IEN = 0, the trigger event TC0IRQ is still set to be “1”. Moreover, the system won’t execute interrupt vector even when the TC0IEN is set to be “1”. Users need to be cautious with the operation under multi-interrupt situation.

## MULTI-INTERRUPT OPERATION

Under certain condition, the software designer uses more than one interrupt requests. Processing multi-interrupt request requires setting the priority of the interrupt requests. The IRQ flags of interrupts are controlled by the interrupt event. Nevertheless, the IRQ flag "1" doesn't mean the system will execute the interrupt vector. And which means the IRQ flags can be set "1" by the events without enable the interrupt. Once the event occurs, the IRQ will be logic "1". The IRQ and its trigger event relationship is as the below table.

<b>Interrupt Name</b>	<b>Trigger Event Description</b>
P00IRQ	P0.0 trigger controlled by PEDGE
TC0IRQ	TC0C overflow

For multi-interrupt conditions, two things need to be taking care of. One is to set the priority for these interrupt requests. Two is using IEN and IRQ flags to decide which interrupt to be executed. Users have to check interrupt control bit and interrupt request flag in interrupt routine.

### ⇒ Example: Check the interrupt request under multi-interrupt operation

```

ORG          8                ; Interrupt vector

BOXCH       A, ACCBUF        ; Store ACC value.
BOMOV      A, PFLAG          ; Store PFLAG value
BOMOV      PFLAGBUF,A

INTP00CHK:
B0BTS1     FP00IEN           ; Check INT0 interrupt request
JMP        INTTC0CHK        ; Check P00IEN
B0BTS0     FP00IRQ           ; Jump check to next interrupt
JMP        INTTC0CHK        ; Check P00IRQ
INTTC0CHK:
B0BTS1     FTC0IEN           ; Jump to INT0 interrupt service routine
JMP        INTTC0CHK        ; Check TC0 interrupt request
B0BTS0     FTC0IRQ           ; Check TC0IEN
JMP        INTTC0CHK        ; Jump to exit of IRQ
INT_EXIT:
B0BTS0     PFLAGBUF          ; Check TC0IRQ
JMP        INTTC0CHK        ; Jump to TC0 interrupt service routine

INT_EXIT:
BOMOV      A, PFLAGBUF        ; Restore PFLAG value
BOMOV      PFLAG,A
BOXCH     A, ACCBUF          ; Restore ACC value.

RETI                          ; Exit interrupt vector

```

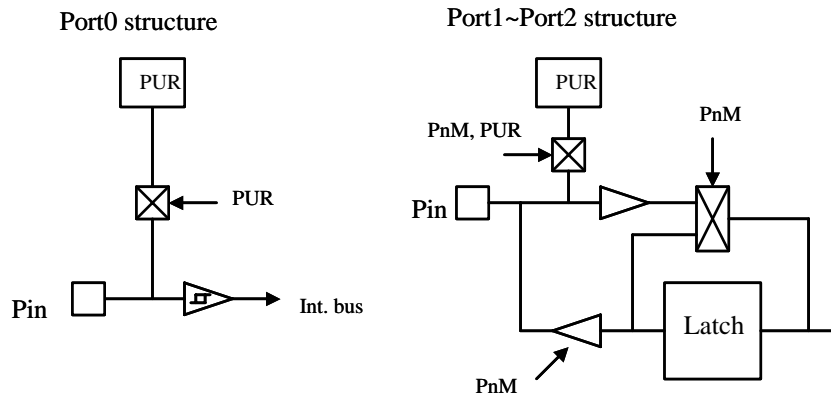
# 10 I/O PORT

## OVERVIEW

The SN8P1602B provides 3 ports for users' application, consisting one input only port (P0) and two I/O ports (P1, P2,). Each port consists input pull-up resistors. The direction of I/O port can be selected by PnM register. When the system resets, these ports will then be set as input port without pull up resistors.

The pull-up resistor can be set up by PUR register.

### ➤ SN8P1602B



➤ **Note: All of the latch output circuits are push-pull structures.**

## I/O PORT FUNCTION TABLE

➤ **SN8P1602B**

Port/Pin	I/O	Function Description	Remark
P0.0	I	General-purpose input function	
		External interrupt (INT0)	See <P00G1,P00G0>
		Wakeup from power down mode	See <P00G1,P00G0>
P1.0~P1.4	I/O	General-purpose input/output function	
		Wakeup from power down mode	Level Change
P2.0~P2.7	I/O	General-purpose input/output function	

➤ **Note: The P1.4 enables when the external oscillator is RC type.**

## I/O PORT MODE

The port direction is programmed by PnM register. Port 0 is always input mode. Port 1 and Port 2 can select input or output direction.

➤ **SN8P1602B**

0C1H	Bit 7	Bit 6	Bit 5	Bit 4	Bit 3	Bit 2	Bit 1	Bit 0
<b>P1M</b>	0	0	0	P14M	P13M	P12M	P11M	P10M
Read/Write	-	-	-	R/W	R/W	R/W	R/W	R/W
After reset	-	-	-	0	0	0	0	0

➤ **SN8P1602B**

0C2H	Bit 7	Bit 6	Bit 5	Bit 4	Bit 3	Bit 2	Bit 1	Bit 0
<b>P2M</b>	P27M	P26M	P25M	P24M	P23M	P22M	P21M	P20M
Read/Write	R/W	R/W	R/W	R/W	R/W	R/W	R/W	R/W
After reset	0	0	0	0	0	0	0	0

When PnM=0, the Pn is input mode  
PnM=1, the Pn is output mode

➤ **Users can program them by bit control instructions (B0BSET, B0BCLR).**

➤ **Example: I/O mode selecting**

```
CLR          P1M          ; Set all ports to be input mode.
CLR          P2M
```

```
MOV          A, #0FFH    ; Set all ports to be output mode.
B0MOV        P1M, A
B0MOV        P2M, A
```

```
B0BCLR       P1M.2       ; Set P1.2 to be input mode.
```

```
B0BSET       P1M.2       ; Set P1.2 to be output mode.
```

## I/O PULL UP REGISTER

➤ **SN8P1602B**

0BEH	Bit 7	Bit 6	Bit 5	Bit 4	Bit 3	Bit 2	Bit 1	Bit 0
<b>PUR</b>	-	-	-	-	-	PUR2	PUR1	PUR0
Read/Write	-	-	-	-	-	W	W	W
After reset	-	-	-	-	-	0	0	0

➤ **Example: I/O Pull up Register**

```

CLR          PUR          ; Disable all ports Pull-up register.

MOV          A, #07H      ; Enable Port0, 1, 2 Pull-up register,
BO MOV       PUR, A      ;
    
```

## I/O PORT DATA REGISTER

➤ **SN8P1602B**

0D0H	Bit 7	Bit 6	Bit 5	Bit 4	Bit 3	Bit 2	Bit 1	Bit 0
<b>P0</b>	-	-	-	-	-	-	-	P00
Read/Write	-	-	-	-	-	-	-	R
After reset	-	-	-	-	-	-	-	0

➤ **SN8P1602B**

0D1H	Bit 7	Bit 6	Bit 5	Bit 4	Bit 3	Bit 2	Bit 1	Bit 0
<b>P1</b>	-	-	-	P14	P13	P12	P11	P10
Read/Write	-	-	-	R/W	R/W	R/W	R/W	R/W
After reset	-	-	-	0	0	0	0	0

➤ **SN8P1602B**

0D2H	Bit 7	Bit 6	Bit 5	Bit 4	Bit 3	Bit 2	Bit 1	Bit 0
<b>P2</b>	P27	P26	P25	P24	P23	P22	P21	P20
Read/Write	R/W	R/W	R/W	R/W	R/W	R/W	R/W	R/W
After reset	0	0	0	0	0	0	0	0

➤ **Example: Read data from input port.**

```

BO MOV       A, P0      ; Read data from Port 0
BO MOV       A, P1      ; Read data from Port 1
BO MOV       A, P2      ; Read data from Port 2
    
```

➤ **Example: Write data to output port.**

```

MOV          A, #55H      ; Write data 55H to Port 1 and Port 2
BO MOV       P1, A
BO MOV       P2, A
    
```

➤ **Example: Write one bit data to output port.**

```

BO BSET      P1.3        ; Set P1.3 and P2.5 to be "1".
BO BSET      P2.5

BO BCLR      P1.3        ; Set P1.3 and P2.5 to be "0".
BO BCLR      P2.5
    
```

➤ **Example: Port bit test.**

```

BO BTS1      P0.0        ; Bit test 1 for P0.0
BO BTS0      P1.2        ; Bit test 0 for P1.2
    
```

# 11 CODING ISSUE

## TEMPLATE CODE

```

;*****
; FILENAME   : TEMPLATE.ASM
; AUTHOR     : SONiX
; PURPOSE    : Template Code for SN8X16XX
; REVISION   : 09/01/2002 V1.0   First issue
;*****
;* (c) Copyright 2002, SONiX TECHNOLOGY CO., LTD.
;*****

CHIP      SN8P1602B                ; Select the CHIP

;-----
;
;                               Include Files
;-----

.nolist                               ; do not list the macro file

        INCLUDESTD      MACRO1.H
        INCLUDESTD      MACRO2.H
        INCLUDESTD      MACRO3.H

.list                               ; Enable the listing function

;-----
;
;                               Constants Definition
;-----

;   ONE      EQU      1

;-----
;
;                               Variables Definition
;-----

.DATA
        org      0h                ;Data section start from RAM address 0
        Wk00     DS      1          ;Temporary buffer for main loop
        Iwk00    DS      1          ;Temporary buffer for ISR
        AccBuf   DS      1          ;Accumulator buffer
        PflagBuf DS      1          ;PFLAG buffer

;-----
;
;                               Bit Variables Definition
;-----

        Wk00B0   EQU      Wk00.0    ;Bit 0 of Wk00
        Iwk00B1  EQU      Iwk00.1    ;Bit 1 of Iwk00

```

```

;-----
;                               Code section
;-----

.CODE

    ORG        0                ;Code section start
    jmp        Reset           ;Reset vector
                                ;Address 4 to 7 are reserved

    ORG        8
    jmp        Isr             ;Interrupt vector

    ORG        10h
;-----
; Program reset section
;-----
Reset:
    mov        A,#07Fh         ;Initial stack pointer and
    b0mov      STKP,A          ;disable global interrupt
    b0mov      PFLAG,#00h     ;pflag = x,x,x,x,x,c,dc,z
    mov        A,#40h         ;Clear watchdog timer and initial system mode
    b0mov      OSCM,A

    call       ClrRAM          ;Clear RAM
    call       SysInit        ;System initial
    b0bset     FGIE           ;Enable global interrupt

;-----
; Main routine
;-----
Main:
    b0bset     FWDRST         ;Clear watchdog timer

    call       MnApp

    jmp        Main

;-----
; Main application
;-----
MnApp:

    ; Put your main program here

    ret

;-----
; Jump table routine
;-----
    ORG        0x0100         ;The jump table should start from the head
                                ;of boundary.

    b0mov      A,Wk00
    and        A,#3
    ADD        PCL,A
    jmp        JmpSub0
    jmp        JmpSub1
    jmp        JmpSub2
;-----

```



```

JumpSub0:
    ; Subroutine 1
    jmp      JumpExit

JumpSub1:
    ; Subroutine 2
    jmp      JumpExit

JumpSub2:
    ; Subroutine 3
    jmp      JumpExit

JumpExit:
    ret                      ;Return Main

;-----
; Isr (Interrupt Service Routine)
; Arguments :
; Returns   :
; Reg Change:
;-----
Isr:
;-----
; Save ACC
;-----

    b0xch    A,AccBuf        ;B0xch instruction do not change C,Z flag

    b0mov    A,PFLAG
    b0mov    PflagBuf,A

;-----
; Interrupt service routine
;-----

    b0bts0   FP00IRQ
    jmp      INT0isr
    b0bts0   FTC0IRQ
    jmp      TC0isr

;-----
; Exit interrupt service routine
;-----

IsrExit:

    b0mov    A, PflagBuf
    b0mov    PFLAG, A        ;Restore the PFlag
    b0xch    A,AccBuf        ;Restore the Reg. A
                                ;B0xch instruction do not change C,Z flag
    reti      ;Exit the interrupt routine

```

```

;-----
; INT0 interrupt service routine
;-----
INT0isr:
    b0bclr        FP00IRQ

    ;Process P0.0 external interrupt here

    jmp          IsrExit

;-----
; TC0 interrupt service routine
;-----
TC0isr:
    b0bclr        FTC0IRQ

    ;Process TC0 interrupt here

    jmp          IsrExit

;-----
; SysInit
; System initial to define Register, RAM, I/O, Timer.....
;-----
SysInit:

    ret

;-----
; ClrRAM
; Use index @YZ to clear RAM (00h~2Fh)
;-----
ClrRAM:

    clr          Y                ;
    b0mov       Z,#0x2f          ;Set @YZ address from 2fh

ClrRAM10:
    clr         @YZ              ;Clear @YZ content
    decms      Z                ;z = z - 1 , skip next if z=0
    jmp        ClrRAM10
    clr         @YZ              ;Clear address $00

    ret

;-----
    ENDP

```

## PROGRAM CHECK LIST

Item	Description
<b>Undefined Bits</b>	All bits those are marked as "0" (undefined bits) in system registers should be set "0" to avoid unpredicted system errors.
<b>Interrupt</b>	Do not enable interrupt before initializing RAM.
<b>Non-Used I/O</b>	Non-used I/O ports should be set as output low mode or pull-up at input mode to save current consumption.
<b>Sleep Mode</b>	Enable on-chip pull-up resistors of port 0 and port 1 to avoid unpredicted wakeup.
<b>Stack Buffer</b>	Be careful of function call and interrupt service routine operation. Don't let stack buffer overflow or underflow.
<b>System Initial</b>	<ol style="list-style-type: none"> <li>1. Write 0x7F into STKP register to initial stack pointer and disable global interrupt</li> <li>2. Clear all RAM.</li> <li>3. Initialize all system register even unused registers.</li> </ol>
<b>Noisy Immunity</b>	<ol style="list-style-type: none"> <li>1. Enable OSG and High_Clk / 2 code option together</li> <li>2. Enable noise filter code option in SN8P1602B.</li> <li>3. Enable the watchdog option to protect system crash.</li> <li>4. Non-used I/O ports should be set as output low mode</li> <li>5. Constantly refresh important system registers and variables in RAM to avoid system crash by a high electrical fast transient noise.</li> <li>6. <b>Disable Low Power Function</b></li> </ol>

# 12 INSTRUCTION SET TABLE

Field	Mnemonic	Description	C	DC	Z	Cycle
MOV	MOV A,M	$A \leftarrow M$	-	-	√	1
	MOV M,A	$M \leftarrow A$	-	-	-	1
	B0MOV A,M	$A \leftarrow M$ (bank 0)	-	-	√	1
	B0MOV M,A	$M$ (bank 0) $\leftarrow A$	-	-	-	1
	MOV A,I	$A \leftarrow I$	-	-	-	1
	B0MOV M,I	$M \leftarrow I$ , (M = only for Working registers R, Y, Z, RBANK & PFLAG)	-	-	-	1
	XCH A,M	$A \leftrightarrow M$	-	-	-	1
	B0XCH A,M	$A \leftrightarrow M$ (bank 0)	-	-	-	1
MOV	MOV R,A	$R, A \leftarrow ROM [Y,Z]$	-	-	-	2
ARITHMETIC	ADC A,M	$A \leftarrow A + M + C$ , if occur carry, then C=1, else C=0	√	√	√	1
	ADC M,A	$M \leftarrow A + M + C$ , if occur carry, then C=1, else C=0	√	√	√	1
	ADD A,M	$A \leftarrow A + M$ , if occur carry, then C=1, else C=0	√	√	√	1
	ADD M,A	$M \leftarrow A + M$ , if occur carry, then C=1, else C=0	√	√	√	1
	B0ADD M,A	$M$ (bank 0) $\leftarrow M$ (bank 0) + A, if occur carry, then C=1, else C=0	√	√	√	1
	ADD A,I	$A \leftarrow A + I$ , if occur carry, then C=1, else C=0	√	√	√	1
	SBC A,M	$A \leftarrow A - M - /C$ , if occur borrow, then C=0, else C=1	√	√	√	1
	SBC M,A	$M \leftarrow A - M - /C$ , if occur borrow, then C=0, else C=1	√	√	√	1
	SUB A,M	$A \leftarrow A - M$ , if occur borrow, then C=0, else C=1	√	√	√	1
	SUB M,A	$M \leftarrow A - M$ , if occur borrow, then C=0, else C=1	√	√	√	1
C	SUB A,I	$A \leftarrow A - I$ , if occur borrow, then C=0, else C=1	√	√	√	1
	DAA	To adjust ACC's data format from HEX to DEC.	√	-	-	1
LOGIC	AND A,M	$A \leftarrow A$ and M	-	-	√	1
	AND M,A	$M \leftarrow A$ and M	-	-	√	1
	AND A,I	$A \leftarrow A$ and I	-	-	√	1
	OR A,M	$A \leftarrow A$ or M	-	-	√	1
	OR M,A	$M \leftarrow A$ or M	-	-	√	1
	OR A,I	$A \leftarrow A$ or I	-	-	√	1
	XOR A,M	$A \leftarrow A$ xor M	-	-	√	1
	XOR M,A	$M \leftarrow A$ xor M	-	-	√	1
P	SWAP M	$A (b3 \sim b0, b7 \sim b4) \leftarrow M(b7 \sim b4, b3 \sim b0)$	-	-	-	1
	SWAPM M	$M(b3 \sim b0, b7 \sim b4) \leftarrow M(b7 \sim b4, b3 \sim b0)$	-	-	-	1
	RRC M	$A \leftarrow RRC M$	√	-	-	1
	RRCM M	$M \leftarrow RRC M$	√	-	-	1
	RLC M	$A \leftarrow RLC M$	√	-	-	1
	RLCM M	$M \leftarrow RLC M$	√	-	-	1
	CLR M	$M \leftarrow 0$	-	-	-	1
	BCLR M.b	$M.b \leftarrow 0$	-	-	-	1
	BSET M.b	$M.b \leftarrow 1$	-	-	-	1
	BOBCLR M.b	$M(bank 0).b \leftarrow 0$	-	-	-	1
BOBSET M.b	$M(bank 0).b \leftarrow 1$	-	-	-	1	
BRANCH	CMPRS A,I	ZF,C $\leftarrow A - I$ , If A = I, then skip next instruction	√	-	√	1 + S
	CMPRS A,M	ZF,C $\leftarrow A - M$ , If A = M, then skip next instruction	√	-	√	1 + S
	INCS M	$A \leftarrow M + 1$ , If A = 0, then skip next instruction	-	-	-	1 + S
	INCMS M	$M \leftarrow M + 1$ , If M = 0, then skip next instruction	-	-	-	1 + S
	DECS M	$A \leftarrow M - 1$ , If A = 0, then skip next instruction	-	-	-	1 + S
	DECMS M	$M \leftarrow M - 1$ , If M = 0, then skip next instruction	-	-	-	1 + S
	BTS0 M.b	If M.b = 0, then skip next instruction	-	-	-	1 + S
	BTS1 M.b	If M.b = 1, then skip next instruction	-	-	-	1 + S
	BOBTS0 M.b	If M(bank 0).b = 0, then skip next instruction	-	-	-	1 + S
	BOBTS1 M.b	If M(bank 0).b = 1, then skip next instruction	-	-	-	1 + S
	JMP d	$PC15/14 \leftarrow RomPages1/0, PC13 \sim PC0 \leftarrow d$	-	-	-	2
	CALL d	$Stack \leftarrow PC15 \sim PC0, PC15/14 \leftarrow RomPages1/0, PC13 \sim PC0 \leftarrow d$	-	-	-	2
MISC	RET	$PC \leftarrow Stack$	-	-	-	2
	RETI	$PC \leftarrow Stack$ , and to enable global interrupt	-	-	-	2
	RETLW	$PC \leftarrow Stack$ , and to load a value by PC+A	-	-	-	2
	NOP	No operation	-	-	-	1

Note: Any instruction that read/write from OSCM, will add an extra cycle.

# 13 ELECTRICAL CHARACTERISTIC

## ABSOLUTE MAXIMUM RATING

(All of the voltages referenced to Vss)

Supply voltage (Vdd).....	- 0.3V ~ 6.0V
Input in voltage (Vin).....	Vss - 0.2V ~ Vdd + 0.2V
Operating ambient temperature (Top).....	-20°C ~ + 70°C
Storage ambient temperature (Tstor).....	-30°C ~ + 125°C
Power consumption (Pc).....	500 mW

## STANDARD ELECTRICAL CHARACTERISTIC

### SN8P1602B

(All of voltages referenced to Vss, Vdd = 5.0V, Fosc = 3.579545 MHz, ambient temperature is 25°C unless otherwise notice.)

PARAMETER	SYM.	DESCRIPTION	MIN.	TYP.	MAX.	UNIT	
Operating voltage	Vdd	Normal mode (OSG, Low Power Disable)	2.4	5.0	5.5	V	
		Normal mode (OSG Enable, Low Power Disable)	2.4	5.0	5.5	V	
		Normal mode (OSG Disable, Low Power Enable)	2.9	5.0	5.5	V	
		Normal mode (OSG, Low Power Enable)	2.9	5.0	5.5	V	
		Programming mode, Vpp = 12.5V	4.5	5.0	5.5	V	
RAM Data Retention voltage	Vdr		-	1.5	-	V	
Input Low Voltage	ViL1	All input pins except those specified below	Vss	-	0.3Vdd	V	
	ViL2	Input with Schmitt trigger buffer - Port0	Vss	-	0.2Vdd	V	
	ViL3	Reset pin ; Xin ( in RC mode )	Vss	-	0.3Vdd	V	
	ViL4	Xin ( in X'tal mode )	Vss	-	0.3Vdd	V	
Input High Voltage	ViH1	All input pins except those specified below	0.7Vdd	-	Vdd	V	
	ViH2	Input with Schmitt trigger buffer -Port0	0.8Vdd	-	Vdd	V	
	ViH3	Reset pin ; Xin ( in RC mode )	0.9Vdd	-	Vdd	V	
	ViH4	Xin ( in X'tal mode )	0.7Vdd	-	Vdd	V	
Reset pin leakage current	Ilekg	Vin = Vdd	-	-	1	uA	
I/O port input leakage current	Ilekg	Pull-up resistor disable, Vin = Vdd	-	-	2	uA	
Port1 output source current sink current	IoH	Vop = Vdd - 0.5V	-	12	-	mA	
	IoL	Vop = Vss + 0.5V	-	15	-		
Port2 output source current sink current	IoH	Vop = Vdd - 0.5V	-	12	-	mA	
	IoL	Vop = Vss + 0.5V	-	15	-		
INTn trigger pulse width	Tint0	INT0 ~ INT2 interrupt request pulse width	2/fcpu	-	-	cycle	
Oscillator Frequency	Fhosc	Crystal type or ceramic resonator	32768	4M	16M	Hz	
		VDD = 3V, RC type for external mode	-	6M	-		
		VDD = 5V, RC type for external mode	-	10M	-		
Supply Current	Idd1	Run Mode (Low Power Disable)	Vdd= 5V 4Mhz	-	3	8	mA
			Vdd= 3V 4Mhz	-	1	2	
			Vdd= 3V 32768Hz	-	50	100	
	Idd2	Run Mode (Low Power Enable)	Vdd= 5V 4Mhz	-	2	5	mA
			Vdd= 3V 4Mhz	-	0.8	2	
	Idd3	Slow mode (Stop High Clock)	Vdd= 5V 32KHz Int. RC	-	25	50	uA
			Vdd= 3V 16KHz Int. RC	-	7	20	
	Idd4	Sleep mode	Vdd= 5V	-	1	2	uA
			Vdd= 3V	-	0.6	1	
	Idd5	Green Mode (Stop High Clock)	Vdd= 5V 32KHz Int. RC	-	15	30	uA
Vdd= 3V 16KHz Int. RC			-	3	10		
LVD Detect Voltage	Vdet	Low voltage detect level	-	1.8	-	V	

➤ **Note: Date in Typical (TYP.) column is base on characterization results at 25 . This data is design for guidance only and is not tested.**

## CHARACTERISTIC GRAPHS

The Graphs in this section are for design guidance, not tested or guaranteed. In some graphs, the data presented are outside specified operating range. This is for information only and devices are guaranteed to operate properly only within the specified range.

### SN8P1602B

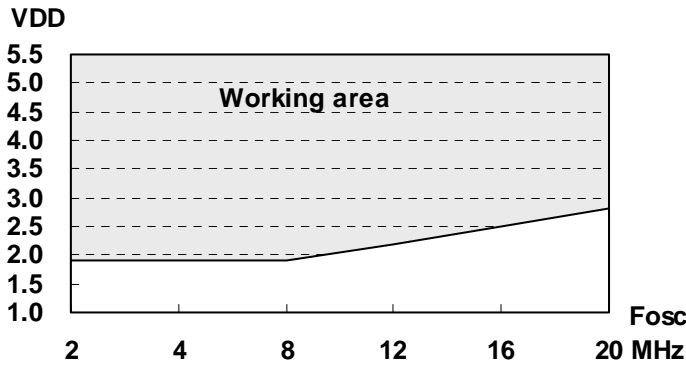


Figure 13-1 Working Voltage vs. Frequency  
(OSG, Low Power, Noise Filter Disable)

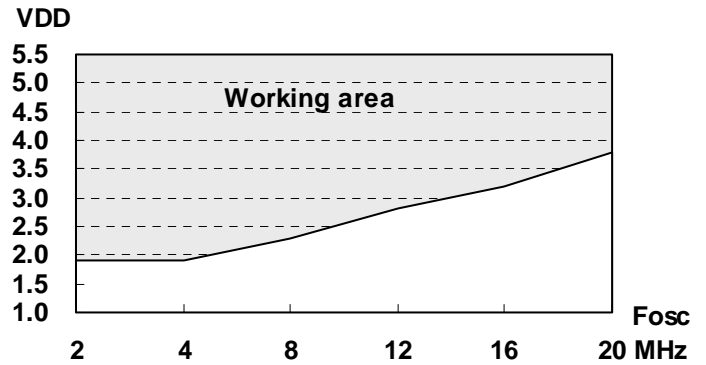


Figure 13-2 Working Voltage vs. Frequency  
(Noise Filter Enable, OSG, Low Power Disable)

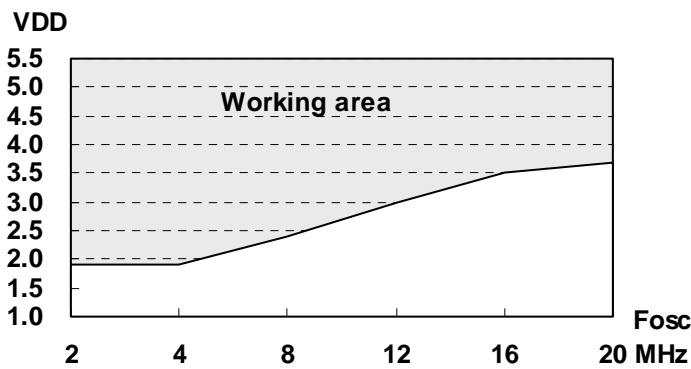


Figure 13-3 Working Voltage vs. Frequency  
(Low Power Enable, OSG, Noise Filter Disable)

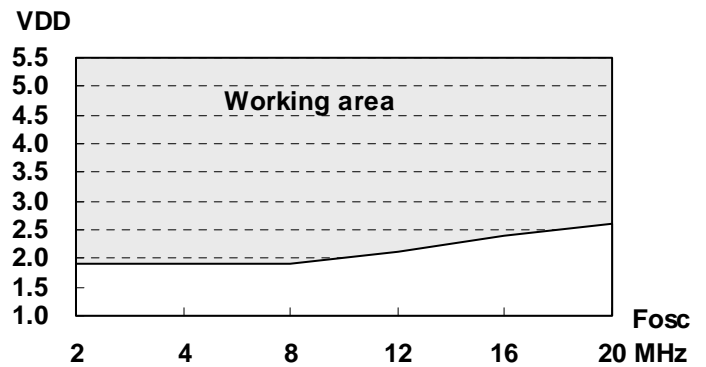


Figure 13-4 Working Voltage vs. Frequency  
(OSG Enable, Noise filter, Low Power Disable)

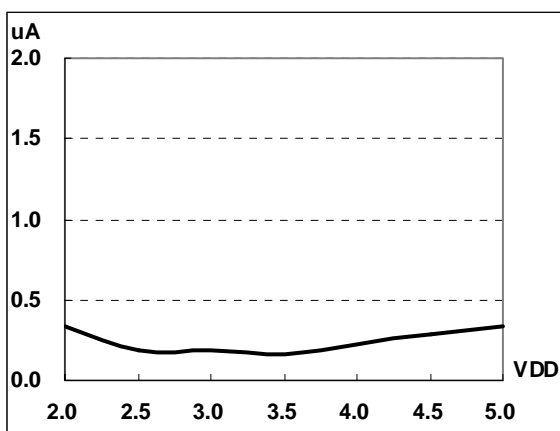


Figure 13-5 Typical Stop Mode current ( $I_{dd4}$ ) vs. VDD

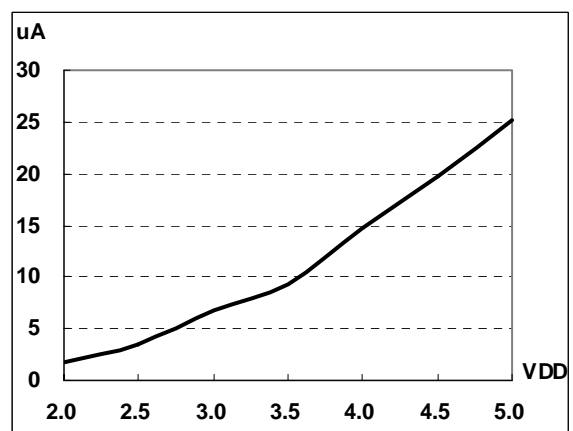


Figure 13-6 Typical Slow Mode current ( $I_{dd3}$ ) vs. VDD  
(Stop High Clock)

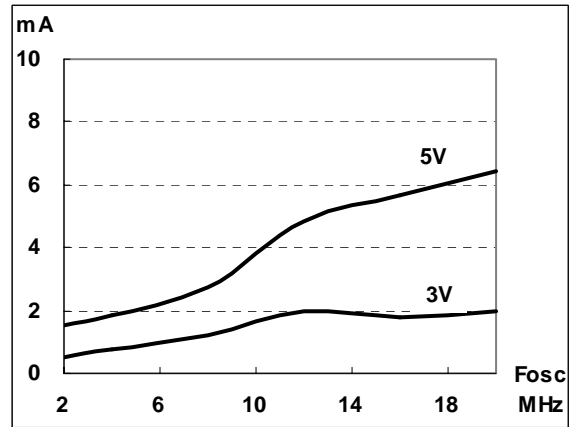
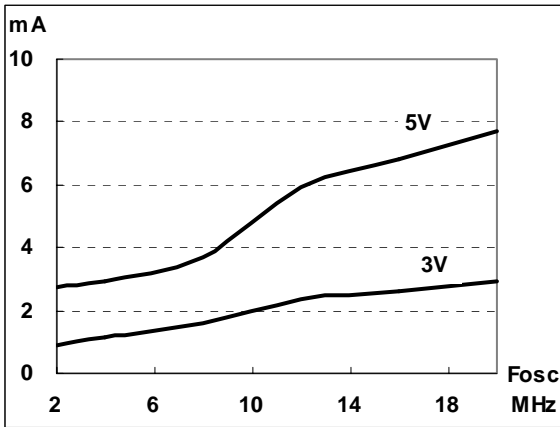


Figure 13-7 Typical Run Mode current (Idd1) vs. Fosc (Low Power Disable)

Figure 13-8 Typical Run Mode current (Idd2) vs. Fosc (Low Power Enable)

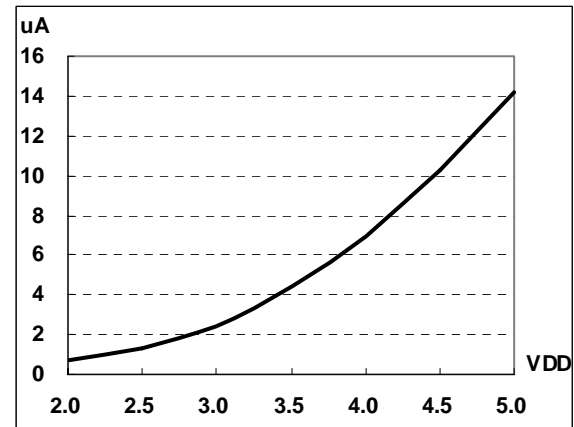
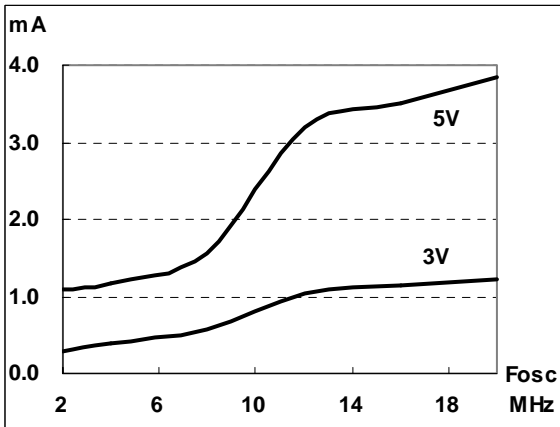


Figure 13-9 Typical Green Mode current vs. Fosc (Without Stopping High clock)

Figure 13-10 Typical Green Mode current vs. VDD (Stop High clock)

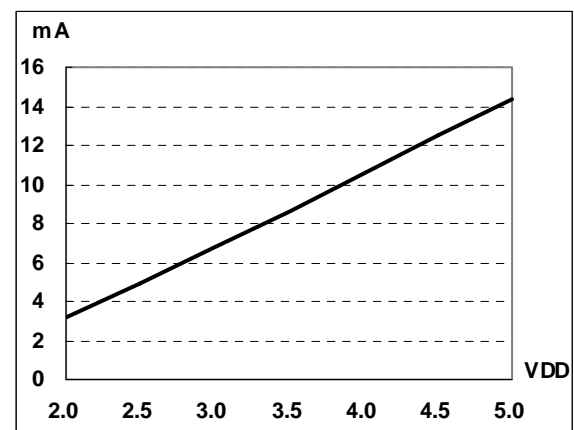
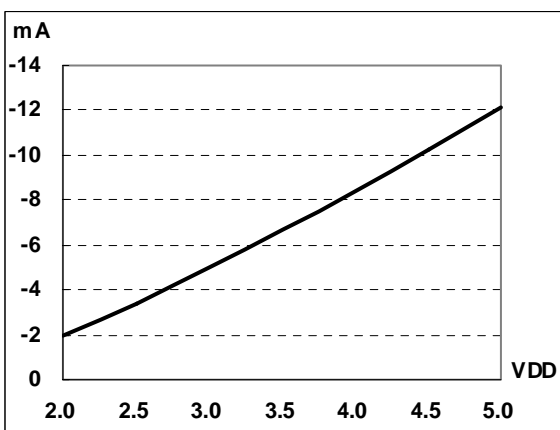


Figure 13-11 Typical IOH vs. VDD

Figure 13-12 Typical IOL vs. VDD

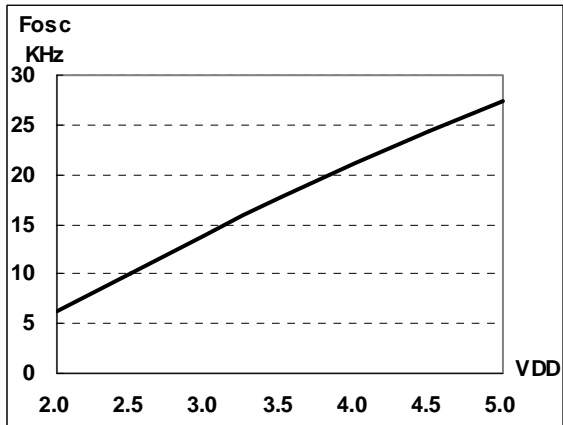
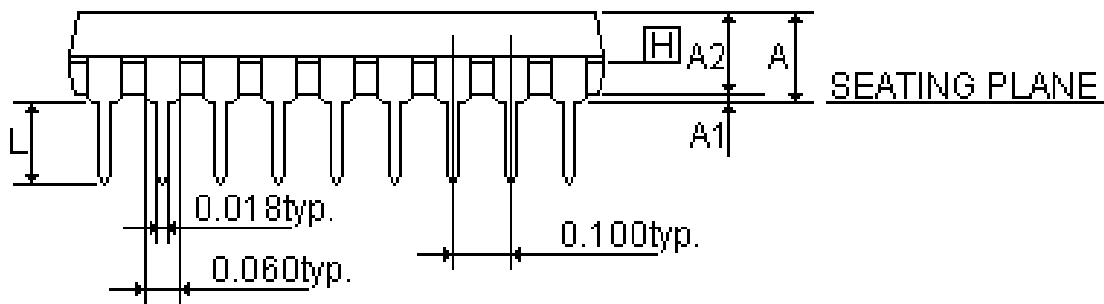
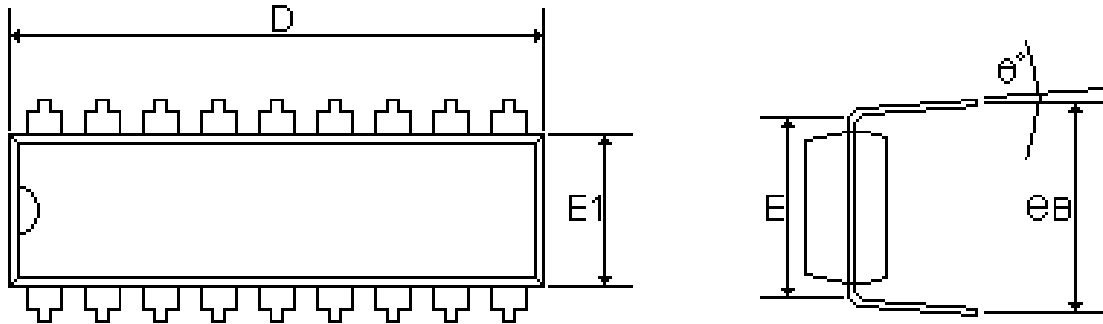


Figure 13-13 Typical Slow Mode Frequency vs. VDD



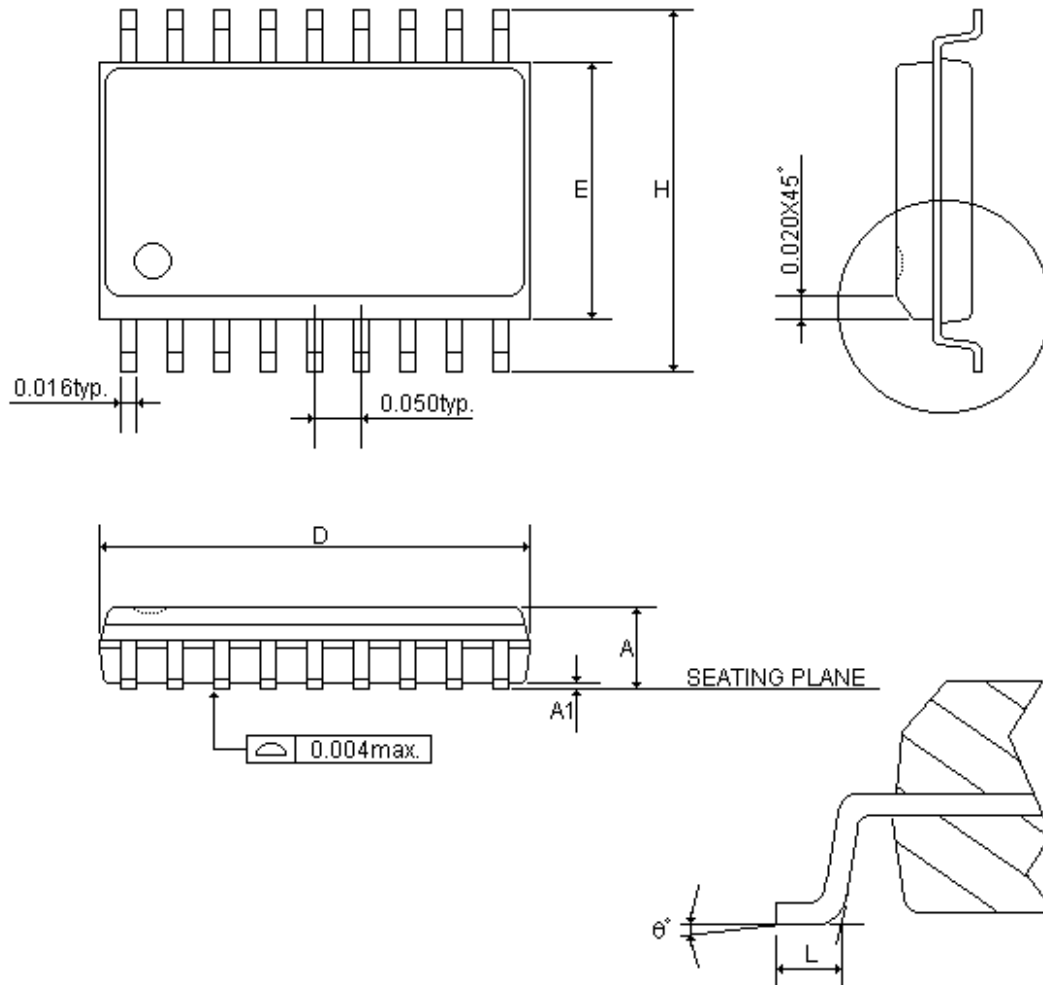
# 14 PACKAGE INFORMATION

## P-DIP 18 PIN



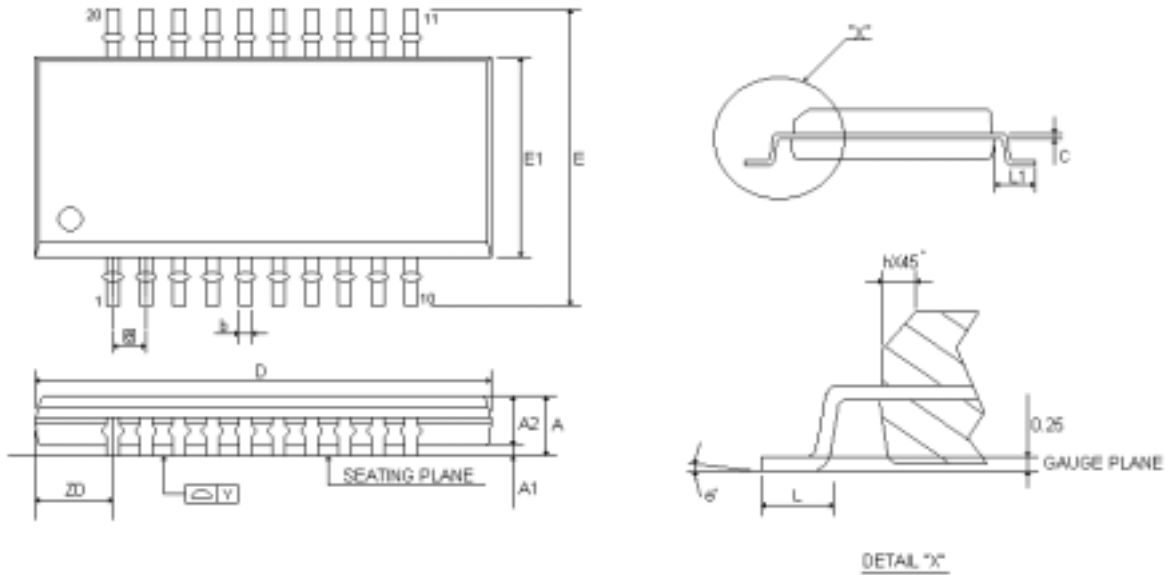
SYMBOLS	MIN	NOR	MAX	MIN	NOR	MAX
	(inch)			(mm)		
A	-	-	0.210	-	-	5.334
A1	0.015	-	-	0.381	-	-
A2	0.125	0.130	0.135	3.175	3.302	3.429
D	0.880	0.900	0.920	22.352	22.860	23.368
E	0.300			7.620		
E1	0.245	0.250	0.255	6.223	6.350	6.477
L	0.115	0.130	0.150	2.921	3.302	3.810
eB	0.335	0.355	0.375	8.509	9.017	9.525
$\theta^\circ$	0°	7°	15°	0°	7°	15°

## SOP 18 PIN



SYMBOLS	MIN	NOR	MAX	MIN	NOR	MAX
	(inch)			(mm)		
A	0.093	0.099	0.104	2.362	2.502	2.642
A1	0.004	0.008	0.012	0.102	0.203	0.305
D	0.447	0.455	0.463	11.354	11.557	11.760
E	0.291	0.295	0.299	7.391	7.493	7.595
H	0.394	0.407	0.419	10.008	10.325	10.643
L	0.016	0.033	0.050	0.406	0.838	1.270
$\theta^\circ$	0°	4°	8°	0°	4°	8°

## SSOP 20 PIN



SYMBOLS	MIN	NOR	MAX	MIN	NOR	MAX
	(inch)			(mm)		
A	0.053	0.063	0.069	1.350	1.600	1.750
A1	0.004	0.006	0.010	0.100	0.150	0.250
A2	-	-	0.059	-	-	1.500
b	0.008	0.010	0.012	0.200	0.254	0.300
c	0.007	0.008	0.010	0.180	0.203	0.250
D	0.337	0.341	0.344	8.560	8.660	8.740
E	0.228	0.236	0.244	5.800	6.000	6.200
E1	0.150	0.154	0.157	3.800	3.900	4.000
[e]	0.025			0.635		
h	0.010	0.017	0.020	0.250	0.420	0.500
L	0.016	0.025	0.050	0.400	0.635	1.270
L1	0.039	0.041	0.043	1.000	1.050	1.100
ZD	0.059			1.500		
Y	-	-	0.004	-	-	0.100
$\theta^\circ$	0°	-	8°	0°	-	8°

SONIX reserves the right to make change without further notice to any products herein to improve reliability, function or design. SONIX does not assume any liability arising out of the application or use of any product or circuit described herein; neither does it convey any license under its patent rights nor the rights of others. SONIX products are not designed, intended, or authorized for use as components in systems intended, for surgical implant into the body, or other applications intended to support or sustain life, or for any other application in which the failure of the SONIX product could create a situation where personal injury or death may occur. Should Buyer purchase or use SONIX products for any such unintended or unauthorized application. Buyer shall indemnify and hold SONIX and its officers, employees, subsidiaries, affiliates and distributors harmless against all claims, cost, damages, and expenses, and reasonable attorney fees arising out of, directly or indirectly, any claim of personal injury or death associated with such unintended or unauthorized use even if such claim alleges that SONIX was negligent regarding the design or manufacture of the part.

**Main Office:**

Address: 9F, NO. 8, Hsien Cheng 5th St, Chupei City, Hsinchu, Taiwan R.O.C.  
Tel: 886-3-551 0520  
Fax: 886-3-551 0523

**Taipei Office:**

Address: 15F-2, NO. 171, Song Ted Road, Taipei, Taiwan R.O.C.  
Tel: 886-2-2759 1980  
Fax: 886-2-2759 8180

**Hong Kong Office:**

Address: Flat 3 9/F Energy Plaza 92 Granville Road, Tsimshatsui East Kowloon.  
Tel: 852-2723 8086  
Fax: 852-2723 9179

**Technical Support by Email:**

Sn8fae@sonix.com.tw