

Silicon NPN Power Transistors

BU536

DESCRIPTION

- With TO-3 package
- High voltage
- Fast switching speed

APPLICATIONS

- For color TV horizontal deflection circuits.

PINNING(see fig.2)

PIN	DESCRIPTION
1	Base
2	Emitter
3	Collector

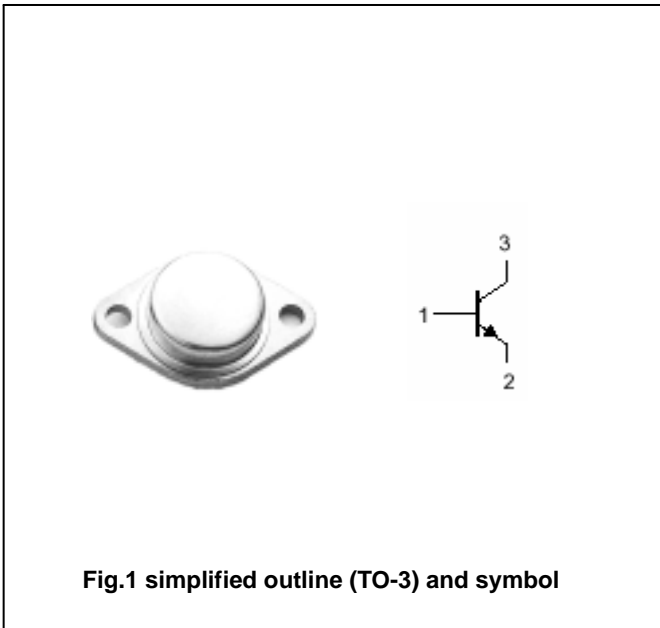


Fig.1 simplified outline (TO-3) and symbol

Absolute maximum ratings(Ta=)

SYMBOL	PARAMETER	CONDITIONS	VALUE	UNIT
V_{CBO}	Collector-base voltage	Open emitter	1100	V
V_{CEO}	Collector-emitter voltage	Open base	480	V
V_{EBO}	Emitter-base voltage	Open collector	7	V
I_C	Collector current		8	A
I_{CM}	Collector current-peak	$t_p < 5ms$	15	A
P_T	Total power dissipation	$T_C = 25$	62	W
T_j	Junction temperature		175	
T_{stg}	Storage temperature		-65~175	

THERMAL CHARACTERISTICS

SYMBOL	PARAMETER	MAX	UNIT
$R_{th\ j-c}$	Thermal resistance junction to case	1.0	/W

Silicon NPN Power Transistors

BU536

CHARACTERISTICS

T_j=25 unless otherwise specified

SYMBOL	PARAMETER	CONDITIONS	MIN	TYP.	MAX	UNIT
V _{CE0(SUS)}	Collector-emitter sustaining voltage	I _C =100mA; I _B =0;	480			V
V _{(BR)EBO}	Emitter-base breakdown voltage	I _E =10mA; I _C =0;	7			V
V _{CEsat}	Collector-emitter saturation voltage	I _C =4A; I _B =0.8A			5.0	V
V _{BEsat}	Base-emitter saturation voltage	I _C =4A; I _B =0.8A			1.5	V
I _{CBO}	Collector cut-off current	V _{CB} =1100V; I _E =0			1.0	mA
I _{EBO}	Emitter cut-off current	V _{EB} =5V; I _C =0			0.1	mA
h _{FE-1}	DC current gain	I _C =1A ; V _{CE} =5V	10			
h _{FE-2}	DC current gain	I _C =4A ; V _{CE} =5V	5.5			

PACKAGE OUTLINE

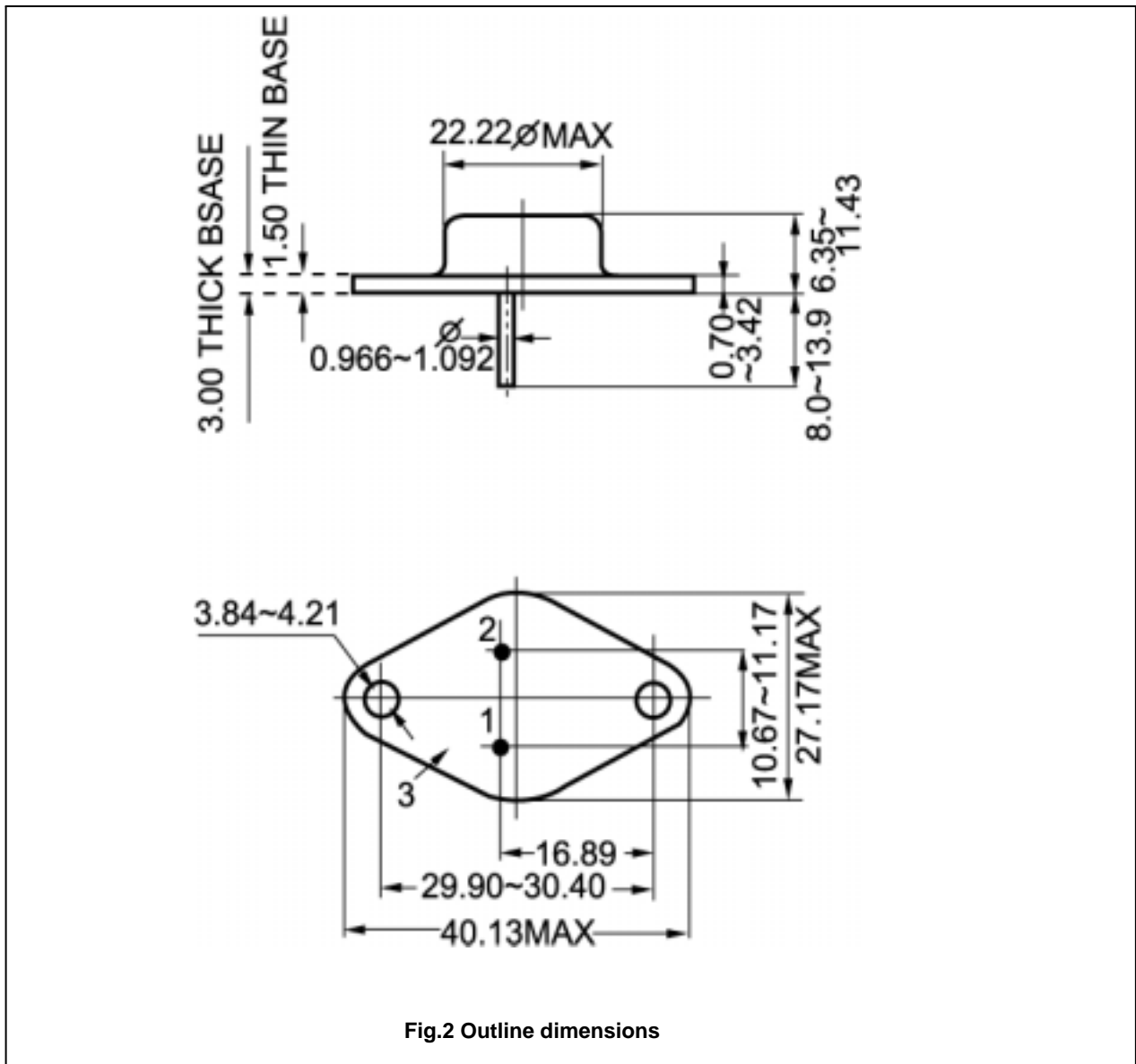


Fig.2 Outline dimensions