



## LOW SPEED USB 8-BIT MCU FAMILY WITH FLASH/ROM, UP TO 512 BYTES RAM, 8-BIT ADC, WDG, TIMER, SCI & I<sup>2</sup>C

### ■ Memories

- 4, 8 or 16 Kbytes Program Memory: High Density Flash (HDFlash) or ROM with Read-out and Write Protection
- In-Application Programming (IAP) and In-Circuit programming (ICP) for HDFlash devices
- 384 or 512 bytes RAM memory (128-byte stack)

### ■ Clock, Reset and Supply Management

- Run, Wait, Slow and Halt CPU modes
- 12 or 24 MHz Oscillator
- RAM Retention mode
- Optional Low Voltage Detector (LVD)

### ■ USB (Universal Serial Bus) Interface

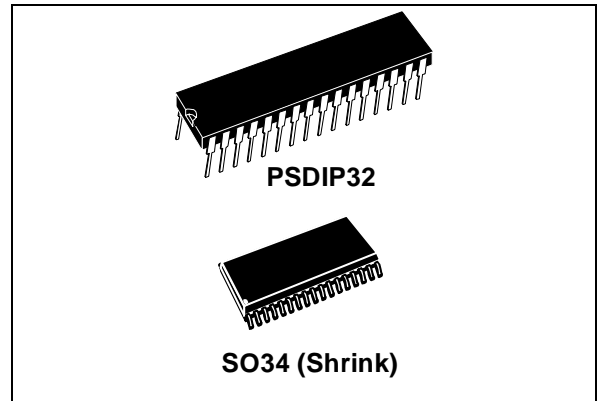
- DMA for low speed applications compliant with USB 1.5 Mbs (version 1.1) and HID specifications (version 1.0)
- Integrated 3.3 V voltage regulator and transceivers
- Suspend and Resume operations
- 3 Endpoints with programmable In/Out configuration

### ■ 19 I/O Ports

- 8 high sink I/Os (10 mA at 1.3 V)
- 2 very high sink true open drain I/Os (25 mA at 1.5 V)
- 8 lines individually programmable as interrupt inputs

### ■ 2 Timers

- Programmable Watchdog
- 16-bit Timer with 2 Input Captures, 2 Output Compares, PWM output and clock input



### ■ 2 Communication Interfaces

- Asynchronous Serial Communications Interface (on K4 and K2 versions only)
- I<sup>2</sup>C Multi Master Interface up to 400 kHz (on K4 versions only)

### ■ 1 Analog Peripheral

- 8-bit A/D Converter (ADC) with 8 channels

### ■ Instruction Set

- 63 basic instructions
- 17 main addressing modes
- 8 x 8 unsigned multiply instruction
- True bit manipulation

### ■ Development Tools

- Versatile Development Tools (under Windows) including assembler, linker, C-compiler, archiver, source level debugger, software library, hardware emulator, programming boards and gang programmers

Table 1. Device Summary

| Features               | ST72F63BK4   | ST7263BK2                                   | ST7263BK1                        |
|------------------------|--|---|----------------------------------|
| Program Memory -bytes- | 16K<br>(Flash or FASTROM)  | 8K<br>(Flash, ROM or FASTROM)               | 4K<br>(Flash, ROM or FASTROM)    |
| RAM (stack) - bytes    | 512 (128)  | 384 (128)                                   |                                  |
| Peripherals            | Watchdog timer, 16-bit timer, SCI, I <sup>2</sup> C, ADC, USB    | Watchdog timer, 16-bit timer, SCI, ADC, USB | Watchdog, 16-bit timer, ADC, USB |
| Operating Supply       | 4.0 V to 5.5 V   |   |                                  |
| CPU frequency          | 8 MHz (with 24 MHz oscillator) or 4 MHz (with 12 MHz oscillator) |   |                                  |
| Operating temperature  | 0 °C to +70 °C   |   |                                  |
| Packages               | SO34/SDIP32  |   |                                  |

---

# Table of Contents

---

|  |           |
|--|-----------|
| <b>1 INTRODUCTION</b>                                  | <b>4</b>  |
| <b>2 PIN DESCRIPTION</b>                               | <b>5</b>  |
| <b>3 REGISTER &amp; MEMORY MAP</b>                     | <b>8</b>  |
| <b>4 FLASH PROGRAM MEMORY</b>                          | <b>11</b> |
| 4.1 INTRODUCTION                                       | 11        |
| 4.2 MAIN FEATURES                                      | 11        |
| 4.3 STRUCTURE  | 11        |
| 4.4 ICC INTERFACE                                      | 12        |
| 4.5 ICP (IN-CIRCUIT PROGRAMMING)                       | 13        |
| 4.6 IAP (IN-APPLICATION PROGRAMMING)                   | 13        |
| <b>5 CENTRAL PROCESSING UNIT</b>                       | <b>14</b> |
| 5.1 INTRODUCTION                                       | 14        |
| 5.2 MAIN FEATURES                                      | 14        |
| 5.3 CPU REGISTERS                                      | 14        |
| <b>6 RESET AND CLOCK MANAGEMENT</b>                    | <b>17</b> |
| 6.1 RESET  | 17        |
| 6.2 CLOCK SYSTEM                                       | 19        |
| <b>7 INTERRUPTS</b>                                    | <b>20</b> |
| 7.1 INTERRUPT REGISTER                                 | 22        |
| <b>8 POWER SAVING MODES</b>                            | <b>23</b> |
| 8.1 INTRODUCTION                                       | 23        |
| 8.2 HALT MODE  | 23        |
| 8.3 SLOW MODE  | 24        |
| 8.4 WAIT MODE  | 24        |
| <b>9 I/O PORTS</b>                                     | <b>25</b> |
| 9.1 INTRODUCTION                                       | 25        |
| 9.2 FUNCTIONAL DESCRIPTION                             | 25        |
| 9.3 I/O PORT IMPLEMENTATION                            | 26        |
| <b>10 MISCELLANEOUS REGISTER</b>                       | <b>32</b> |
| <b>11 ON-CHIP PERIPHERALS</b>                          | <b>33</b> |
| 11.1 WATCHDOG TIMER (WDG)                              | 33        |
| 11.2 16-BIT TIMER                                      | 36        |
| 11.3 SERIAL COMMUNICATIONS INTERFACE (SCI)             | 55        |
| 11.4 USB INTERFACE (USB)                               | 67        |
| 11.5 I <sup>2</sup> C BUS INTERFACE (I <sup>2</sup> C) | 75        |
| 11.6 8-BIT A/D CONVERTER (ADC)                         | 86        |
| <b>12 INSTRUCTION SET</b>                              | <b>90</b> |
| 12.1 ST7 ADDRESSING MODES                              | 90        |
| 12.2 INSTRUCTION GROUPS                                | 93        |
| <b>13 ELECTRICAL CHARACTERISTICS</b>                   | <b>96</b> |
| 13.1 PARAMETER CONDITIONS                              | 96        |
| 13.2 ABSOLUTE MAXIMUM RATINGS                          | 97        |

# Table of Contents

|   |            |
|---|------------|
| 13.3 OPERATING CONDITIONS .....                               | 98         |
| 13.4 SUPPLY CURRENT CHARACTERISTICS .....                     | 100        |
| 13.5 CLOCK AND TIMING CHARACTERISTICS .....                   | 101        |
| 13.6 MEMORY CHARACTERISTICS .....                             | 103        |
| 13.7 EMC CHARACTERISTICS .....                                | 104        |
| 13.8 I/O PORT PIN CHARACTERISTICS .....                       | 109        |
| 13.9 CONTROL PIN CHARACTERISTICS .....                        | 114        |
| 13.10 COMMUNICATION INTERFACE CHARACTERISTICS .....           | 116        |
| 13.11 8-BIT ADC CHARACTERISTICS .....                         | 119        |
| <b>14 PACKAGE CHARACTERISTICS .....</b>                       | <b>121</b> |
| 14.1 PACKAGE MECHANICAL DATA .....                            | 121        |
| 14.2 THERMAL CHARACTERISTICS .....                            | 122        |
| 14.3 SOLDERING AND GLUEABILITY INFORMATION .....              | 123        |
| <b>15 DEVICE CONFIGURATION AND ORDERING INFORMATION .....</b> | <b>124</b> |
| 15.1 OPTION BYTE .....  | 124        |
| 15.2 DEVICE ORDERING INFORMATION .....                        | 125        |
| 15.3 DEVELOPMENT TOOLS .....                                  | 126        |
| 15.4 ST7 APPLICATION NOTES .....                              | 128        |
| <b>16 KNOWN LIMITATIONS .....</b>                             | <b>130</b> |
| 16.1 UNEXPECTED RESET FETCH .....                             | 130        |
| 16.2 HALT MODE POWER CONSUMPTION WITH ADC ON .....            | 130        |
| <b>17 SUMMARY OF CHANGES .....</b>                            | <b>131</b> |

To obtain the most recent version of this datasheet,  
please check at [www.st.com>products>technical literature>datasheet](http://www.st.com/products/technical_literature/datasheet)

Please also pay special attention to the Section "IMPORTANT NOTES" on page 130.

# 1 INTRODUCTION

The ST7263B Microcontrollers form a sub-family of the ST7 MCUs dedicated to USB applications. The devices are based on an industry-standard 8-bit core and feature an enhanced instruction set. They operate at a 24 MHz or 12 MHz oscillator frequency. Under software control, the ST7263B MCUs may be placed in either Wait or Halt modes, thus reducing power consumption. The enhanced instruction set and addressing modes afford real programming potential. In addition to standard 8-bit data management, the ST7263B MCUs feature true bit manipulation, 8x8 unsigned multiplication and indirect addressing modes. The devices include an ST7 Core, up to 16 Kbytes of program memory, up to 512 bytes of RAM, 19 I/O lines and the following on-chip peripherals:

- USB low speed interface with 3 endpoints with programmable in/out configuration using the DMA architecture with embedded 3.3V voltage regulator and transceivers (no external components are needed).
- 8-bit Analog-to-Digital converter (ADC) with 8 multiplexed analog inputs

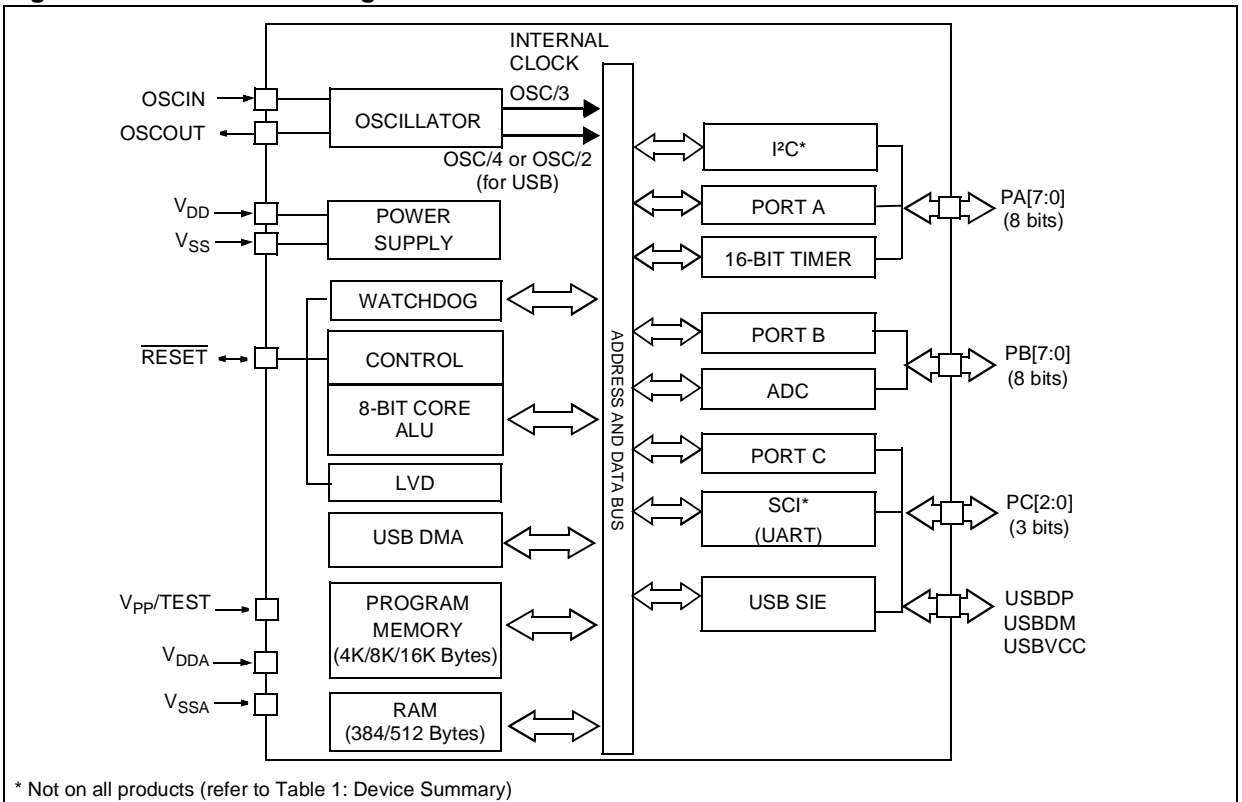
- Industry standard asynchronous SCI serial interface (not on all products - see [Table 1](#) Device Summary)
- Watchdog
- 16-bit Timer featuring an External clock input, 2 Input Captures, 2 Output Compares with Pulse Generator capabilities
- Fast I<sup>2</sup>C Multi Master interface (not on all products - see device summary)
- Low voltage reset (LVD) ensuring proper power-on or power-off of the device

The ST7263B devices are ROM versions.

The ST72P63B devices are Factory Advanced Service Technique ROM (FASTROM) versions: they are factory-programmed and are not reprogrammable.

The ST72F63B devices are Flash versions. They support programming in IAP mode (In-application programming) via the on-chip USB interface.

**Figure 1. General Block Diagram**



## 2 PIN DESCRIPTION

Figure 2. 34-Pin SO Package Pinout

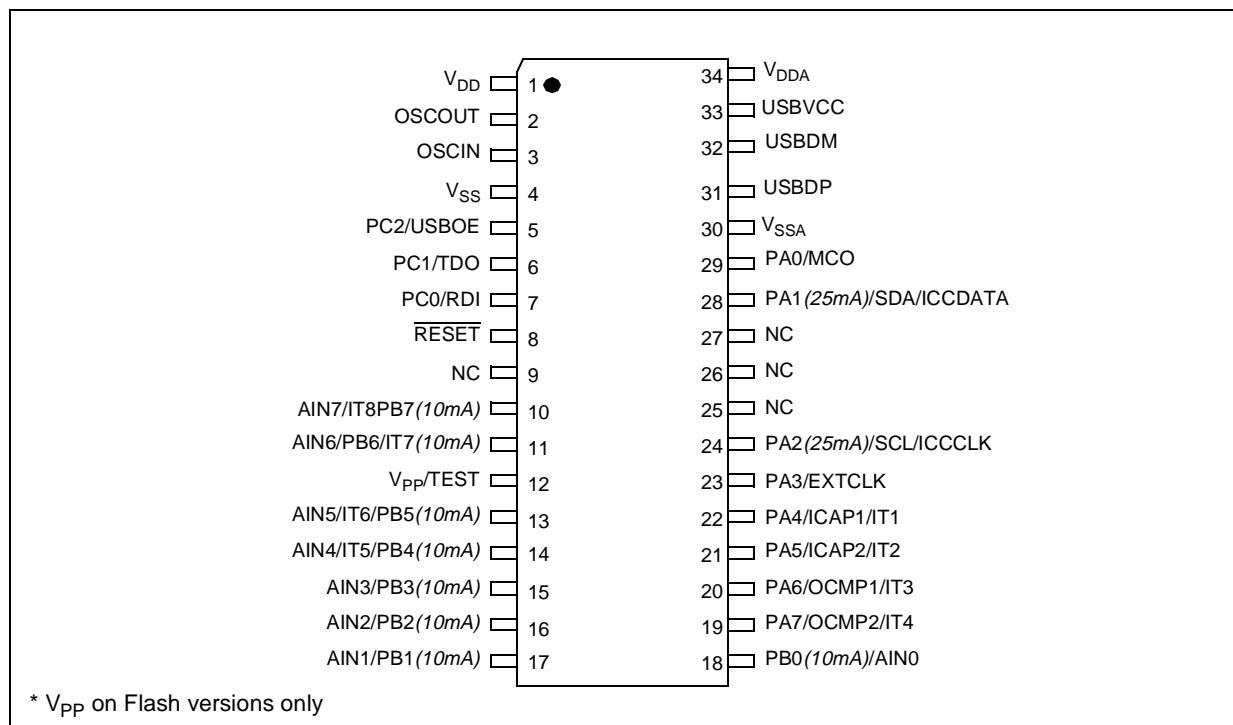
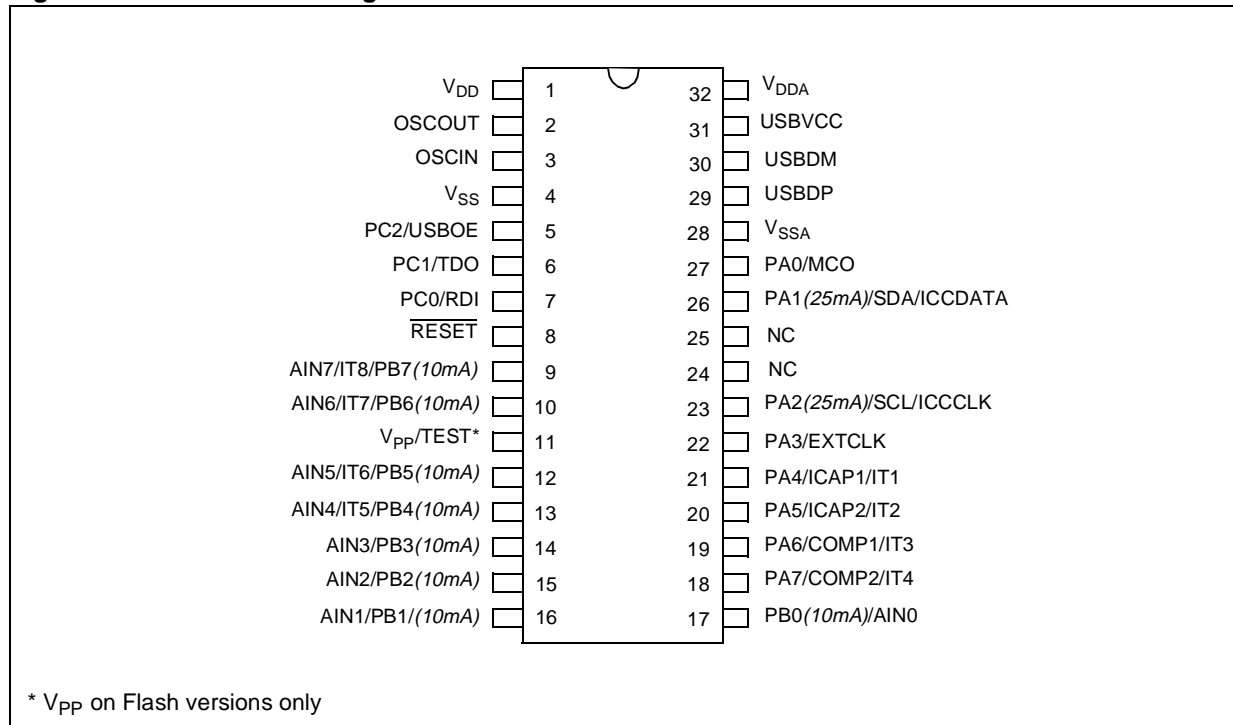


Figure 3. 32-Pin SDIP Package Pinout



**PIN DESCRIPTION** (Cont'd)

**RESET** (see Note 1): Bidirectional. This active low signal forces the initialization of the MCU. This event is the top priority non maskable interrupt. This pin is switched low when the Watchdog is triggered or the  $V_{DD}$  is low. It can be used to reset external peripherals.

**OSCIN/OSCOU**T: Input/Output Oscillator pin. These pins connect a parallel-resonant crystal, or an external source, to the on-chip oscillator.

**$V_{DD}/V_{SS}$**  (see Note 2): Main Power Supply and Ground voltages.

**$V_{DDA}/V_{SSA}$**  (see Note 2): Power Supply and Ground voltages for analog peripherals.

**Alternate Functions:** Several pins of the I/O ports assume software programmable alternate functions as shown in the pin description.

**Note 1:** Adding two 100 nF decoupling capacitors on the Reset pin (respectively connected to  $V_{DD}$  and  $V_{SS}$ ) will significantly improve product electro-magnetic susceptibility performance.

**Note 2:** To enhance the reliability of operation, it is recommended that  $V_{DDA}$  and  $V_{DD}$  be connected together on the application board. This also applies to  $V_{SSA}$  and  $V_{SS}$ .

**Table 2. Device Pin Description**

| Pin n° | SDIP32 | SO34           | Pin Name | Type  | Level |        | Port / Control |     |     |     |        |                | Main Function (after reset)      | Alternate Function |
|--------|--------|----------------|----------|-------|-------|--------|----------------|-----|-----|-----|--------|----------------|----------------------------------|--------------------|
|        |        |                |          |       | Input | Output | Input          |     |     |     | Output |                |                                  |                    |
|        |        |                |          |       |       |        | float          | wpu | int | ana | OD     | PP             |                                  |                    |
| 1      | 1      | $V_{DD}$       | S        |       |       |        |                |     |     |     |        |                | Power supply voltage (4V - 5.5V) |                    |
| 2      | 2      | OSCOU          | O        |       |       |        |                |     |     |     |        |                | Oscillator output                |                    |
| 3      | 3      | OSCIN          | I        |       |       |        |                |     |     |     |        |                | Oscillator input                 |                    |
| 4      | 4      | $V_{SS}$       | S        |       |       |        |                |     |     |     |        |                | Digital ground                   |                    |
| 5      | 5      | PC2/USBOE      | I/O      | $C_T$ |       | X      |                |     |     | X   |        | <b>Port C2</b> | USB Output Enable                |                    |
| 6      | 6      | PC1/TDO        | I/O      | $C_T$ |       | X      |                |     |     | X   |        | <b>Port C1</b> | SCI Transmit Data Output*        |                    |
| 7      | 7      | PC0/RDI        | I/O      | $C_T$ |       | X      |                |     |     | X   |        | <b>Port C0</b> | SCI Receive Data Input*          |                    |
| 8      | 8      | RESET          | I/O      |       |       | X      |                |     |     | X   |        |                | Reset                            |                    |
| --     | 9      | NC             | --       |       |       |        |                |     |     |     |        |                | Not connected                    |                    |
| 9      | 10     | PB7/AIN7/IT8   | I/O      | $C_T$ | 10mA  | X      |                | X   | X   |     | X      | <b>Port B7</b> | ADC analog input 7               |                    |
| 10     | 11     | PB6/AIN6/IT7   | I/O      | $C_T$ | 10mA  | X      |                | X   | X   |     | X      | <b>Port B6</b> | ADC analog input 6               |                    |
| 11     | 12     | $V_{PP}$ /TEST | S        |       |       |        |                |     |     |     |        |                | Programming supply               |                    |
| 12     | 13     | PB5/AIN5/IT6   | I/O      | $C_T$ | 10mA  | X      |                | X   | X   |     | X      | <b>Port B5</b> | ADC analog input 5               |                    |
| 13     | 14     | PB4/AIN4/IT5   | I/O      | $C_T$ | 10mA  | X      |                | X   | X   |     | X      | <b>Port B4</b> | ADC analog input 4               |                    |
| 14     | 15     | PB3/AIN3       | I/O      | $C_T$ | 10mA  | X      |                |     | X   |     | X      | <b>Port B3</b> | ADC analog input 3               |                    |
| 15     | 16     | PB2/AIN2       | I/O      | $C_T$ | 10mA  | X      |                |     | X   |     | X      | <b>Port B2</b> | ADC analog input 2               |                    |
| 16     | 17     | PB1/AIN1       | I/O      | $C_T$ | 10mA  | X      |                |     | X   |     | X      | <b>Port B1</b> | ADC analog input 1               |                    |
| 17     | 18     | PB0/AIN0       | I/O      | $C_T$ | 10mA  | X      |                |     | X   |     | X      | <b>Port B0</b> | ADC Analog Input 0               |                    |
| 18     | 19     | PA7/OCMP2/IT4  | I/O      | $C_T$ |       |        | X              | X   |     |     | X      | <b>Port A7</b> | Timer Output Compare 2           |                    |
| 19     | 20     | PA6/OCMP1/IT3  | I/O      | $C_T$ |       |        | X              | X   |     |     | X      | <b>Port A6</b> | Timer Output Compare 1           |                    |
| 20     | 21     | PA5/ICAP2/IT2  | I/O      | $C_T$ |       |        | X              | X   |     |     | X      | <b>Port A5</b> | Timer Input Capture 2            |                    |
| 21     | 22     | PA4/ICAP1/IT1  | I/O      | $C_T$ |       |        | X              | X   |     |     | X      | <b>Port A4</b> | Timer Input Capture 1            |                    |

| Pin n° |      | Pin Name         | Type | Level          |        | Port / Control |     |     |     |        |    | Main Function (after reset) | Alternate Function                        |
|--------|------|------------------|------|----------------|--------|----------------|-----|-----|-----|--------|----|-----------------------------|---|
| SDIP32 | SO34 |                  |      | Input          | Output | Input          |     |     |     | Output |    |                             |   |
|        |      |                  |      |                |        | float          | wpu | int | ana | OD     | PP |                             |   |
| 22     | 23   | PA3/EXTCLK       | I/O  | C <sub>T</sub> |        |                | X   |     |     |        | X  | <b>Port A3</b>              | Timer External Clock                      |
| 23     | 24   | PA2/SCL/ICCCLK   | I/O  | C <sub>T</sub> | 25mA   | X              |     |     |     |        | T  | <b>Port A2</b>              | I <sup>2</sup> C serial clock*, ICC Clock |
| --     | 25   | NC               | --   |                |        |                |     |     |     |        |    |                             | Not connected                             |
| 24     | 26   | NC               | --   |                |        |                |     |     |     |        |    |                             | Not connected                             |
| 25     | 27   | NC               | --   |                |        |                |     |     |     |        |    |                             | Not connected                             |
| 26     | 28   | PA1/SDA/ICCDATA  | I/O  | C <sub>T</sub> | 25mA   | X              |     |     |     |        | T  | <b>Port A1</b>              | I <sup>2</sup> C serial data*, ICC Data   |
| 27     | 29   | PA0/MCO          | I/O  | C <sub>T</sub> |        |                |     | X   |     |        | X  | <b>Port A0</b>              | Main Clock Output                         |
| 28     | 30   | V <sub>SSA</sub> | S    |                |        |                |     |     |     |        |    |                             | Analog ground                             |
| 29     | 31   | USBDP            | I/O  |                |        |                |     |     |     |        |    |                             | USB bidirectional data (data +)           |
| 30     | 32   | USBDM            | I/O  |                |        |                |     |     |     |        |    |                             | USB bidirectional data (data -)           |
| 31     | 33   | USBVCC           | O    |                |        |                |     |     |     |        |    |                             | USB power supply                          |
| 32     | 34   | V <sub>DDA</sub> | S    |                |        |                |     |     |     |        |    |                             | Analog supply voltage                     |

**Note** (\*): if the peripheral is present on the device (see [Table 1, "Device Summary"](#))

#### Legend / Abbreviations for [Figure 2](#) and [Table 2](#):

Type: I = input, O = output, S = supply

In/Output level: C<sub>T</sub> = CMOS 0.3V<sub>DD</sub>/0.7V<sub>DD</sub> with input trigger

Output level: 10mA = 10mA high sink (on N-buffer only)

25mA = 25mA very high sink (on N-buffer only)

Port and control configuration:

- Input: float = floating, wpu = weak pull-up, int = interrupt, ana = analog
- Output: OD = open drain, PP = push-pull, T = True open drain

Refer to "I/O PORTS" on page 25 for more details on the software configuration of the I/O ports.

The RESET configuration of each pin is shown in **bold**. This configuration is kept as long as the device is under reset state.

### 3 REGISTER & MEMORY MAP

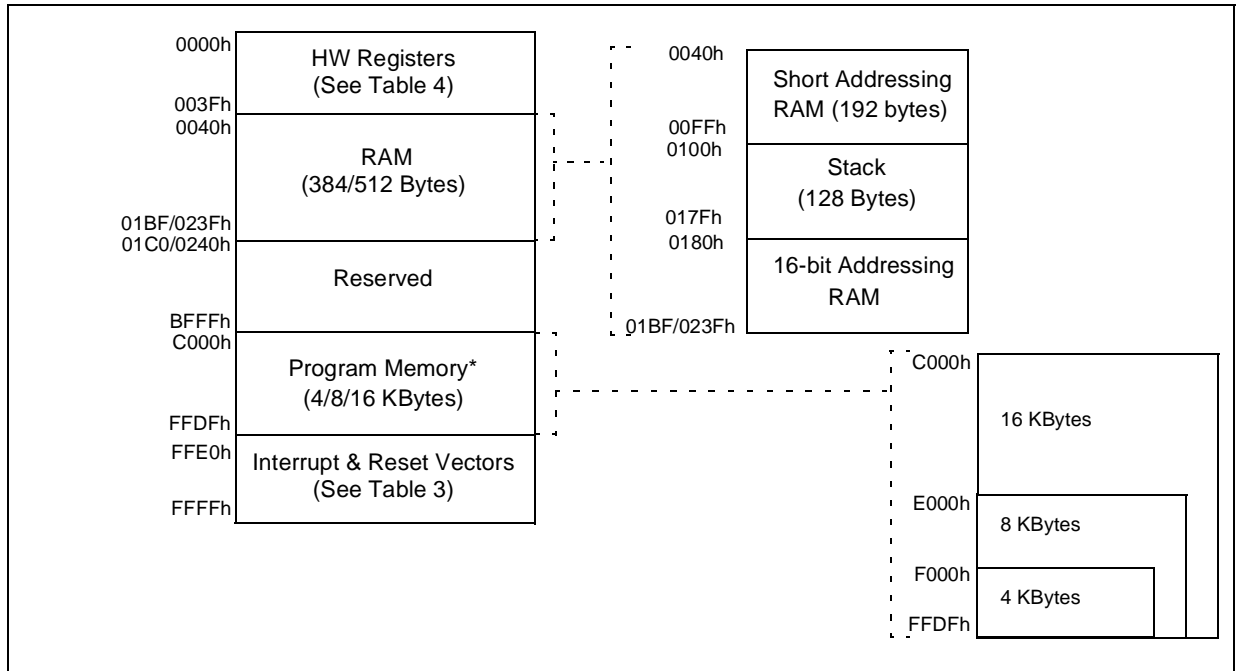
As shown in [Figure 4](#), the MCU is capable of addressing 64 Kbytes of memories and I/O registers.

The available memory locations consist of up to 512 bytes of RAM including 64 bytes of register locations, and up to 16K bytes of user program memory in which the upper 32 bytes are reserved for interrupt vectors. The RAM space includes up to 128 bytes for the stack from 0100h to 017Fh.

The highest address bytes contain the user reset and interrupt vectors.

**IMPORTANT:** Memory locations noted “Reserved” must never be accessed. Accessing a reserved area can have unpredictable effects on the device.

**Figure 4. Memory Map**



\* Program memory and RAM sizes are product dependent (see [Table 1, "Device Summary"](#))

**Table 3. Interrupt Vector Map**

| Vector Address | Description                              | Masked by | Remarks             | Exit from Halt Mode |
|----------------|--|-----------|---------------------|---------------------|
| FFE0h-FFEDh    | Reserved Area                            |           |                     |                     |
| FFEEh-FFEFh    | USB Interrupt Vector                     | I- bit    | Internal Interrupt  | No                  |
| FFF0h-FFF1h    | SCI Interrupt Vector                     | I- bit    | Internal Interrupt  | No                  |
| FFF2h-FFF3h    | I <sup>2</sup> C Interrupt Vector        | I- bit    | Internal Interrupt  | No                  |
| FFF4h-FFF5h    | TIMER Interrupt Vector                   | I- bit    | Internal Interrupt  | No                  |
| FFF6h-FFF7h    | IT1 to IT8 Interrupt Vector              | I- bit    | External Interrupt  | Yes                 |
| FFF8h-FFF9h    | USB End Suspend Mode Interrupt Vector    | I- bit    | External Interrupts | Yes                 |
| FFFAh-FFFBh    | Flash Start Programming Interrupt Vector | I- bit    | Internal Interrupt  | Yes                 |
| FFFCh-FFFDh    | TRAP (software) Interrupt Vector         | None      | CPU Interrupt       | No                  |
| FFFEh-FFFFh    | RESET Vector                             | None      |                     | Yes                 |



Table 4. Hardware Register Memory Map

| Address              | Block              | Register Label    | Register name                         | Reset Status        | Remarks   |
|----------------------|--------------------|-------------------|---------------------------------------|---------------------|-----------|
| 0000h<br>0001h       | Port A             | PADR              | Port A Data Register                  | 00h                 | R/W       |
|                      |                    | PADDR             | Port A Data Direction Register        | 00h                 | R/W       |
| 0002h<br>0003h       | Port B             | PBDR              | Port B Data Register                  | 00h                 | R/W       |
|                      |                    | PBDDR             | Port B Data Direction Register        | 00h                 | R/W       |
| 0004h<br>0005h       | Port C             | PCDR              | Port C Data Register                  | 1111 x000b          | R/W       |
|                      |                    | PCDDR             | Port C Data Direction Register        | 1111 x000b          | R/W       |
| 0006h<br>0007h       | Reserved (2 Bytes) |                   |                                       |                     |           |
| 0008h                | ITC                | ITIFRE            | Interrupt Register                    | 00h                 | R/W       |
| 0009h                | MISC               | MISCR             | Miscellaneous Register                | 00h                 | R/W       |
| 000Ah<br>000Bh       | ADC                | ADCDR             | ADC Data Register                     | 00h                 | Read only |
|                      |                    | ADCCSR            | ADC control Status register           | 00h                 | R/W       |
| 000Ch                | WDG                | WDGCR             | Watchdog Control Register             | 7Fh                 | R/W       |
| 000Dh<br>to<br>0010h | Reserved (4 bytes) |                   |                                       |                     |           |
| 0011h                | TIM                | TCR2              | Timer Control Register 2              | 00h                 | R/W       |
| 0012h                |                    | TCR1              | Timer Control Register 1              | 00h                 | R/W       |
| 0013h                |                    | TSR               | Timer Status Register                 | 00h                 | Read only |
| 0014h                |                    | TIC1HR            | Timer Input Capture High Register 1   | xxh                 | Read only |
| 0015h                |                    | TIC1LR            | Timer Input Capture Low Register 1    | xxh                 | Read only |
| 0016h                |                    | TOC1HR            | Timer Output Compare High Register 1  | 80h                 | R/W       |
| 0017h                |                    | TOC1LR            | Timer Output Compare Low Register 1   | 00h                 | R/W       |
| 0018h                |                    | TCHR              | Timer Counter High Register           | FFh                 | Read only |
| 0019h                |                    | TCLR              | Timer Counter Low Register            | FCh                 | R/W       |
| 001Ah                |                    | TACHR             | Timer Alternate Counter High Register | FFh                 | Read only |
| 001Bh                |                    | TACL              | Timer Alternate Counter Low Register  | FCh                 | R/W       |
| 001Ch                |                    | TIC2HR            | Timer Input Capture High Register 2   | xxh                 | Read only |
| 001Dh                |                    | TIC2LR            | Timer Input Capture Low Register 2    | xxh                 | Read only |
| 001Eh                |                    | TOC2HR            | Timer Output Compare High Register 2  | 80h                 | R/W       |
| 001Fh                |                    | TOC2LR            | Timer Output Compare Low Register 2   | 00h                 | R/W       |
| 0020h                |                    | SCI <sup>1)</sup> | SCISR                                 | SCI Status Register | C0h       |
| 0021h                | SCIDR              |                   | SCI Data Register                     | xxh                 | R/W       |
| 0022h                | SCIBRR             |                   | SCI Baud Rate Register                | 00h                 | R/W       |
| 0023h                | SCICR1             |                   | SCI Control Register 1                | x000 0000b          | R/W       |
| 0024h                | SCICR2             |                   | SCI Control Register 2                | 00h                 | R/W       |

| Address           | Block                          | Register Label     | Register name                                    | Reset Status | Remarks   |
|-------------------|--------------------------------|--------------------|--|--------------|-----------|
| 0025h             | USB                            | USBPIDR            | USB PID Register                                 | x0h          | Read only |
| 0026h             |                                | USBDMAR            | USB DMA address Register                         | xxh          | R/W       |
| 0027h             |                                | USBIDR             | USB Interrupt/DMA Register                       | x0h          | R/W       |
| 0028h             |                                | USBISTR            | USB Interrupt Status Register                    | 00h          | R/W       |
| 0029h             |                                | USBIMR             | USB Interrupt Mask Register                      | 00h          | R/W       |
| 002Ah             |                                | USBCTLR            | USB Control Register                             | 06h          | R/W       |
| 002Bh             |                                | USBDAADDR          | USB Device Address Register                      | 00h          | R/W       |
| 002Ch             |                                | USBEP0RA           | USB Endpoint 0 Register A                        | 0000 xxxxb   | R/W       |
| 002Dh             |                                | USBEP0RB           | USB Endpoint 0 Register B                        | 80h          | R/W       |
| 002Eh             |                                | USBEP1RA           | USB Endpoint 1 Register A                        | 0000 xxxxb   | R/W       |
| 002Fh             |                                | USBEP1RB           | USB Endpoint 1 Register B                        | 0000 xxxxb   | R/W       |
| 0030h             |                                | USBEP2RA           | USB Endpoint 2 Register A                        | 0000 xxxxb   | R/W       |
| 0031h             |                                | USBEP2RB           | USB Endpoint 2 Register B                        | 0000 xxxxb   | R/W       |
| 0032h to<br>0036h |                                | Reserved (5 bytes) |  |              |           |
| 0032h<br>0036h    | Reserved (5 Bytes)             |                    |  |              |           |
| 0037h             | Flash                          | FCSR               | Flash Control /Status Register                   | 00h          | R/W       |
| 0038h             | Reserved (1 byte)              |                    |  |              |           |
| 0039h             | I <sup>2</sup> C <sup>1)</sup> | I2CDR              | I <sup>2</sup> C Data Register                   | 00h          | R/W       |
| 003Ah             |                                |                    | Reserved   | -            |           |
| 003Bh             |                                | I2COAR             | I <sup>2</sup> C (7 Bits) Slave Address Register | 00h          | R/W       |
| 003Ch             |                                | I2CCCR             | I <sup>2</sup> C Clock Control Register          | 00h          | R/W       |
| 003Dh             |                                | I2CSR2             | I <sup>2</sup> C 2nd Status Register             | 00h          | Read only |
| 003Eh             |                                | I2CSR1             | I <sup>2</sup> C 1st Status Register             | 00h          | Read only |
| 003Fh             |                                | I2CCR              | I <sup>2</sup> C Control Register                | 00h          | R/W       |

Note 1. If the peripheral is present on the device (see [Table 1, "Device Summary"](#))

## 4 FLASH PROGRAM MEMORY

### 4.1 Introduction

The ST7 dual voltage High Density Flash (HDFlash) is a non-volatile memory that can be electrically erased as a single block or by individual sectors and programmed on a Byte-by-Byte basis using an external  $V_{PP}$  supply.

The HDFlash devices can be programmed and erased off-board (plugged in a programming tool) or on-board using ICP (In-Circuit Programming) or IAP (In-Application Programming).

The array matrix organisation allows each sector to be erased and reprogrammed without affecting other sectors.

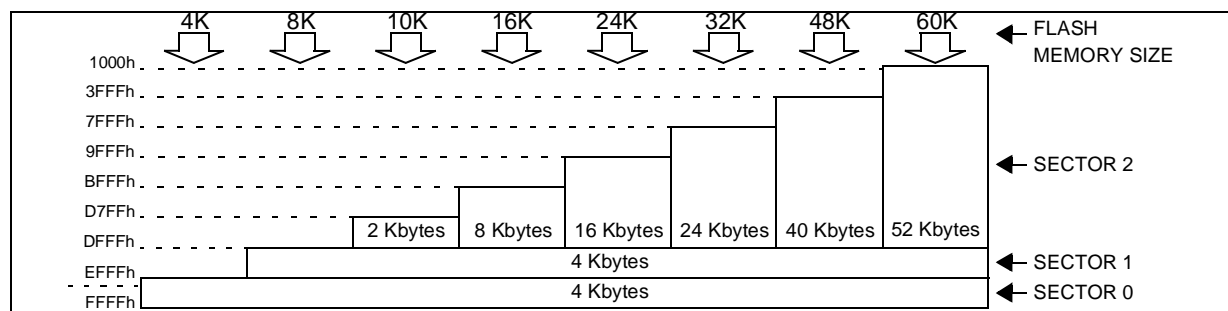
### 4.2 Main Features

- Three Flash programming modes:
  - Insertion in a programming tool. In this mode, all sectors including option bytes can be programmed or erased.
  - ICP (In-Circuit Programming). In this mode, all sectors including option bytes can be programmed or erased without removing the device from the application board.
  - IAP (In-Application Programming) In this mode, all sectors except Sector 0, can be programmed or erased without removing the device from the application board and while the application is running.
- ICT (In-Circuit Testing) for downloading and executing user application test patterns in RAM
- Read-out protection against piracy
- Register Access Security System (RASS) to prevent accidental programming or erasing

### 4.3 Structure

The Flash memory is organised in sectors and can be used for both code and data storage.

**Figure 5. Memory Map and Sector Address**



Depending on the overall Flash memory size in the microcontroller device, there are up to three user sectors (see Table 5). Each of these sectors can be erased independently to avoid unnecessary erasing of the whole Flash memory when only a partial erasing is required.

The first two sectors have a fixed size of 4 Kbytes (see Figure 5). They are mapped in the upper part of the ST7 addressing space so the reset and interrupt vectors are located in Sector 0 (F000h-FFFFh).

**Table 5. Sectors available in Flash devices**

| Flash Size (bytes) | Available Sectors |
|--------------------|-------------------|
| 4K                 | Sector 0          |
| 8K                 | Sectors 0,1       |
| > 8K               | Sectors 0,1, 2    |

#### 4.3.1 Read-out Protection

Read-out protection, when selected, makes it impossible to extract the memory content from the microcontroller, thus preventing piracy. Even ST cannot access the user code.

In flash devices, this protection is removed by reprogramming the option. In this case, the entire program memory is first automatically erased.

Read-out protection selection depends on the device type:

- In Flash devices it is enabled and removed through the FMP\_R bit in the option byte.
- In ROM devices it is enabled by mask option specified in the Option List.

FLASH PROGRAM MEMORY (Cont'd)

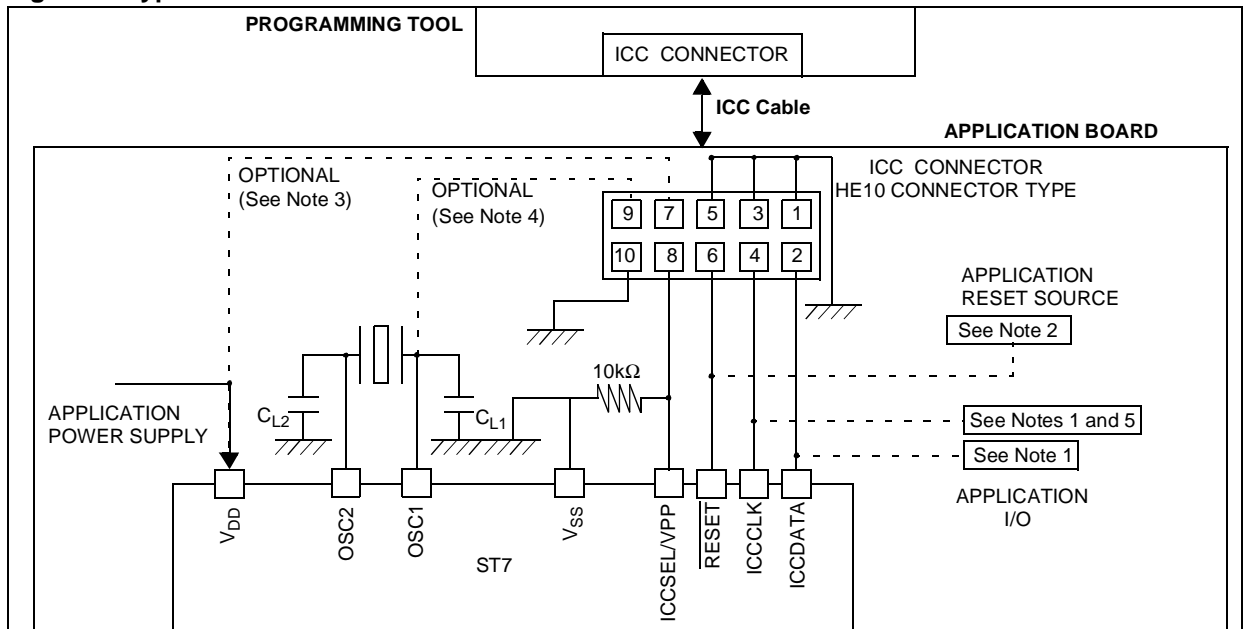
4.4 ICC Interface

ICC needs a minimum of 4 and up to 6 pins to be connected to the programming tool (see Figure 6). These pins are:

- RESET: device reset
- V<sub>SS</sub>: device power supply ground

- ICCCLK: ICC output serial clock pin
- ICCDATA: ICC input/output serial data pin
- ICCSEL/V<sub>PP</sub>: programming voltage
- OSC1(or OSCIN): main clock input for external source (optional)
- V<sub>DD</sub>: application board power supply (optional, see Figure 6, Note 3)

Figure 6. Typical ICC Interface



Notes:

1. If the ICCCLK or ICCDATA pins are only used as outputs in the application, no signal isolation is necessary. As soon as the Programming Tool is plugged to the board, even if an ICC session is not in progress, the ICCCLK and ICCDATA pins are not available for the application. If they are used as inputs by the application, isolation such as a serial resistor has to be implemented in case another device forces the signal. Refer to the Programming Tool documentation for recommended resistor values.
2. During the ICC session, the programming tool must control the RESET pin. This can lead to conflicts between the programming tool and the application reset circuit if it drives more than 5mA at high level (push pull output or pull-up resistor < 1K). A schottky diode can be used to isolate the application RESET circuit in this case. When using a classical RC network with R > 1K or a reset management IC with open drain output and pull-up resistor > 1K, no additional components are needed.

In all cases the user must ensure that no external reset is generated by the application during the ICC session.

3. The use of Pin 7 of the ICC connector depends on the Programming Tool architecture. This pin must be connected when using most ST Programming Tools (it is used to monitor the application power supply). Please refer to the Programming Tool manual.
4. Pin 9 has to be connected to the OSC1 or OSCIN pin of the ST7 when the clock is not available in the application or if the selected clock option is not programmed in the option byte. ST7 devices with multi-oscillator capability need to have OSC2 grounded in this case.
5. During normal operation, the ICCCLK pin must be pulled-up, internally or externally, to avoid entering ICC mode unexpectedly during a reset.

## FLASH PROGRAM MEMORY (Cont'd)

### 4.5 ICP (In-Circuit Programming)

To perform ICP the microcontroller must be switched to ICC (In-Circuit Communication) mode by an external controller or programming tool.

Depending on the ICP code downloaded in RAM, Flash memory programming can be fully customized (number of bytes to program, program locations, or selection serial communication interface for downloading).

When using an STMicroelectronics or third-party programming tool that supports ICP and the specific microcontroller device, the user needs only to implement the ICP hardware interface on the application board (see [Figure 6](#)). For more details on the pin locations, refer to the device pinout description.

### 4.6 IAP (In-Application Programming)

This mode uses a BootLoader program previously stored in Sector 0 by the user (in ICP mode or by plugging the device in a programming tool).

This mode is fully controlled by user software. This allows it to be adapted to the user application, (user-defined strategy for entering programming

mode, choice of communications protocol used to fetch the data to be stored, etc.). For example, it is possible to download code from the SPI, SCI, USB or CAN interface and program it in the Flash. IAP mode can be used to program any of the Flash sectors except Sector 0, which is write/erase protected to allow recovery in case errors occur during the programming operation.

#### 4.6.1 Register Description

##### FLASH CONTROL/STATUS REGISTER (FCSR)

Read/Write

Reset Value: 0000 0000 (00h)

|   |   |   |   |   |   |   |   |
|---|---|---|---|---|---|---|---|
| 7 |   |   |   |   |   |   | 0 |
| 0 | 0 | 0 | 0 | 0 | 0 | 0 | 0 |

This register is reserved for use by Programming Tool software. It controls the Flash programming and erasing operations. For details on customizing Flash programming methods and In-Circuit Testing, refer to the ST7 Flash Programming Reference Manual.

## 5 CENTRAL PROCESSING UNIT

### 5.1 INTRODUCTION

This CPU has a full 8-bit architecture and contains six internal registers allowing efficient 8-bit data manipulation.

### 5.2 MAIN FEATURES

- 63 basic instructions
- Fast 8-bit by 8-bit multiply
- 17 main addressing modes
- Two 8-bit index registers
- 16-bit stack pointer
- Low power modes
- Maskable hardware interrupts
- Non-maskable software interrupt

### 5.3 CPU REGISTERS

The 6 CPU registers shown in [Figure 7](#) are not present in the memory mapping and are accessed by specific instructions.

#### Accumulator (A)

The Accumulator is an 8-bit general purpose register used to hold operands and the results of the arithmetic and logic calculations and to manipulate data.

#### Index Registers (X and Y)

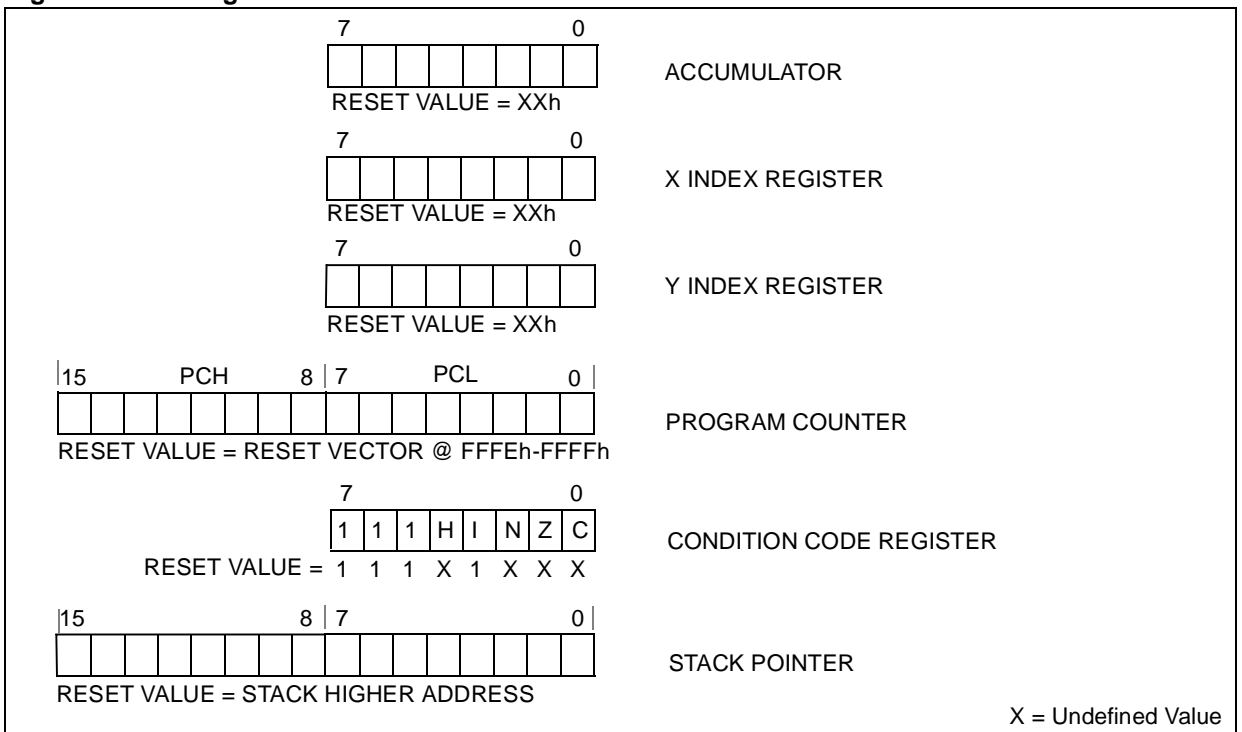
In indexed addressing modes, these 8-bit registers are used to create either effective addresses or temporary storage areas for data manipulation. (The Cross-Assembler generates a precede instruction (PRE) to indicate that the following instruction refers to the Y register.)

The Y register is not affected by the interrupt automatic procedures (not pushed to and popped from the stack).

#### Program Counter (PC)

The program counter is a 16-bit register containing the address of the next instruction to be executed by the CPU. It is made of two 8-bit registers PCL (Program Counter Low which is the LSB) and PCH (Program Counter High which is the MSB).

Figure 7. CPU Registers



**CPU REGISTERS** (Cont'd)**CONDITION CODE REGISTER (CC)**

Read/Write

Reset Value: 111x1xxx

|   |   |   |   |   |   |   |   |
|---|---|---|---|---|---|---|---|
| 7 |   |   |   |   |   |   | 0 |
| 1 | 1 | 1 | H | I | N | Z | C |

The 8-bit Condition Code register contains the interrupt mask and four flags representative of the result of the instruction just executed. This register can also be handled by the PUSH and POP instructions.

These bits can be individually tested and/or controlled by specific instructions.

**Bit 4 = H Half carry.**

This bit is set by hardware when a carry occurs between bits 3 and 4 of the ALU during an ADD or ADC instruction. It is reset by hardware during the same instructions.

0: No half carry has occurred.

1: A half carry has occurred.

This bit is tested using the JRH or JRNH instruction. The H bit is useful in BCD arithmetic subroutines.

**Bit 3 = I Interrupt mask.**

This bit is set by hardware when entering in interrupt or by software to disable all interrupts except the TRAP software interrupt. This bit is cleared by software.

0: Interrupts are enabled.

1: Interrupts are disabled.

This bit is controlled by the RIM, SIM and IRET instructions and is tested by the JRM and JRNM instructions.

**Note:** Interrupts requested while I is set are latched and can be processed when I is cleared. By default an interrupt routine is not interruptable

because the I bit is set by hardware at the start of the routine and reset by the IRET instruction at the end of the routine. If the I bit is cleared by software in the interrupt routine, pending interrupts are serviced regardless of the priority level of the current interrupt routine.

**Bit 2 = N Negative.**

This bit is set and cleared by hardware. It is representative of the result sign of the last arithmetic, logical or data manipulation. It is a copy of the 7<sup>th</sup> bit of the result.

0: The result of the last operation is positive or null.

1: The result of the last operation is negative (i.e. the most significant bit is a logic 1).

This bit is accessed by the JRMI and JRPL instructions.

**Bit 1 = Z Zero.**

This bit is set and cleared by hardware. This bit indicates that the result of the last arithmetic, logical or data manipulation is zero.

0: The result of the last operation is different from zero.

1: The result of the last operation is zero.

This bit is accessed by the JREQ and JRNE test instructions.

**Bit 0 = C Carry/borrow.**

This bit is set and cleared by hardware and software. It indicates an overflow or an underflow has occurred during the last arithmetic operation.

0: No overflow or underflow has occurred.

1: An overflow or underflow has occurred.

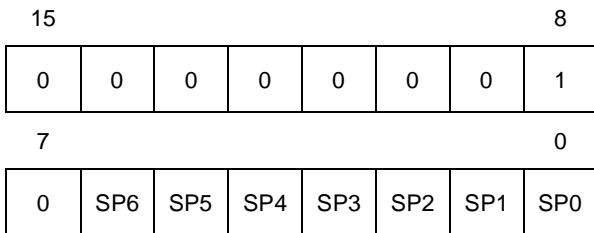
This bit is driven by the SCF and RCF instructions and tested by the JRC and JRNC instructions. It is also affected by the "bit test and branch", shift and rotate instructions.

**CPU REGISTERS** (Cont'd)

**STACK POINTER (SP)**

Read/Write

Reset Value: 017Fh



The Stack Pointer is a 16-bit register which is always pointing to the next free location in the stack. It is then decremented after data has been pushed onto the stack and incremented before data is popped from the stack (see Figure 8).

Since the stack is 128 bytes deep, the 9 most significant bits are forced by hardware. Following an MCU Reset, or after a Reset Stack Pointer instruction (RSP), the Stack Pointer contains its reset value (the SP6 to SP0 bits are set) which is the stack higher address.

The least significant byte of the Stack Pointer (called S) can be directly accessed by a LD instruction.

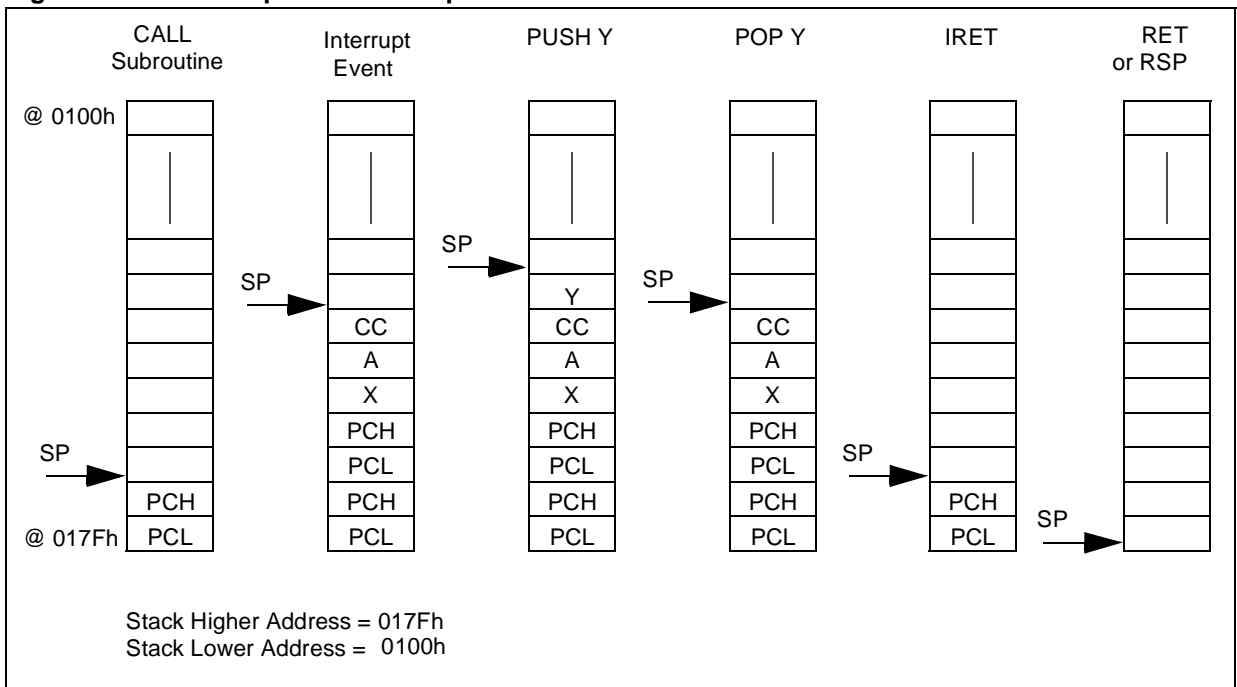
**Note:** When the lower limit is exceeded, the Stack Pointer wraps around to the stack upper limit, without indicating the stack overflow. The previously stored information is then overwritten and therefore lost. The stack also wraps in case of an underflow.

The stack is used to save the return address during a subroutine call and the CPU context during an interrupt. The user may also directly manipulate the stack by means of the PUSH and POP instructions. In the case of an interrupt, the PCL is stored at the first location pointed to by the SP. Then the other registers are stored in the next locations as shown in Figure 8.

- When an interrupt is received, the SP is decremented and the context is pushed on the stack.
- On return from interrupt, the SP is incremented and the context is popped from the stack.

A subroutine call occupies two locations and an interrupt five locations in the stack area.

**Figure 8. Stack Manipulation Example**





## 6 RESET AND CLOCK MANAGEMENT

### 6.1 RESET

The Reset procedure is used to provide an orderly software start-up or to exit low power modes.

Three reset modes are provided: a low voltage (LVD) reset, a watchdog reset and an external reset at the  $\overline{\text{RESET}}$  pin.

A reset causes the reset vector to be fetched from addresses FFFEh and FFFFh in order to be loaded into the PC and with program execution starting from this point.

An internal circuitry provides a 4096 CPU clock cycle delay from the time that the oscillator becomes active.

#### 6.1.1 Low Voltage Detector (LVD)

Low voltage reset circuitry generates a reset when  $V_{DD}$  is:

- below  $V_{IT+}$  when  $V_{DD}$  is rising,
- below  $V_{IT-}$  when  $V_{DD}$  is falling.

During low voltage reset, the  $\overline{\text{RESET}}$  pin is held low, thus permitting the MCU to reset other devices.

The Low Voltage Detector can be disabled by setting bit 3 of the option byte.

#### 6.1.2 Watchdog Reset

When a watchdog reset occurs, the  $\overline{\text{RESET}}$  pin is pulled low permitting the MCU to reset other devices in the same way as the low voltage reset (Figure 9).

#### 6.1.3 External Reset

The external reset is an active low input signal applied to the  $\overline{\text{RESET}}$  pin of the MCU.

As shown in Figure 12, the  $\overline{\text{RESET}}$  signal must stay low for a minimum of one and a half CPU clock cycles.

An internal Schmitt trigger at the  $\overline{\text{RESET}}$  pin is provided to improve noise immunity.

Figure 9. Low Voltage Detector functional Diagram

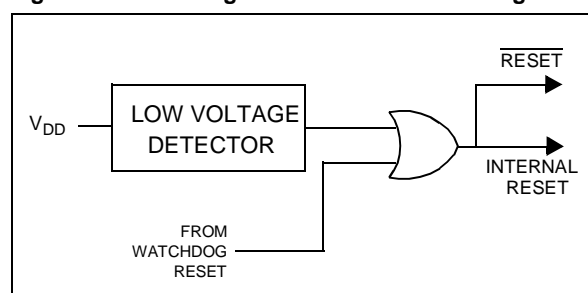
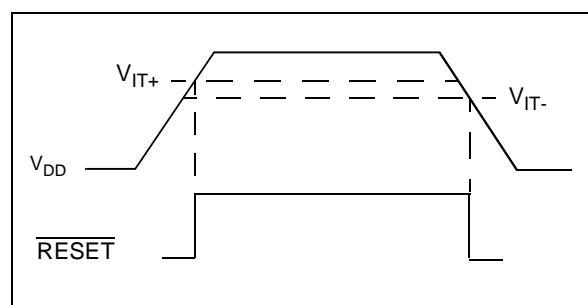
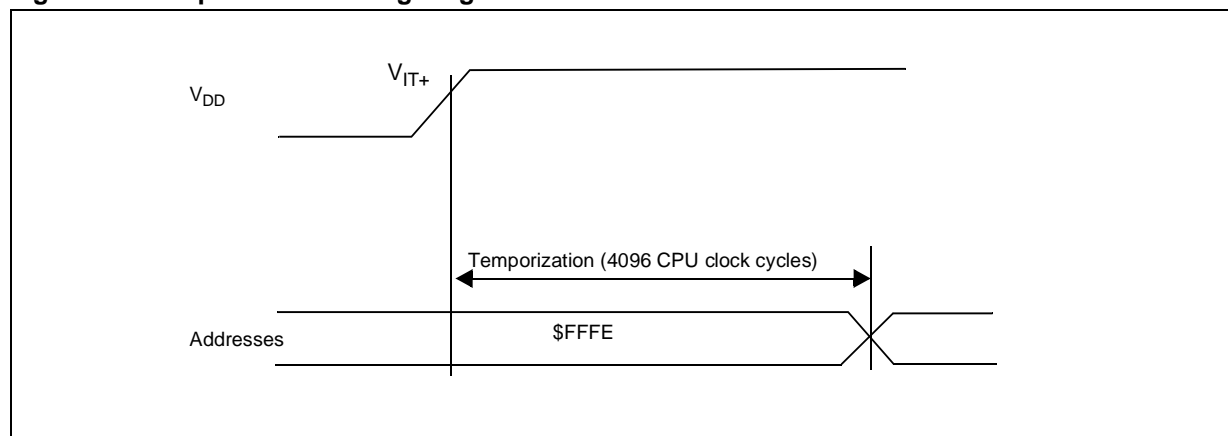


Figure 10. Low Voltage Reset Signal Output



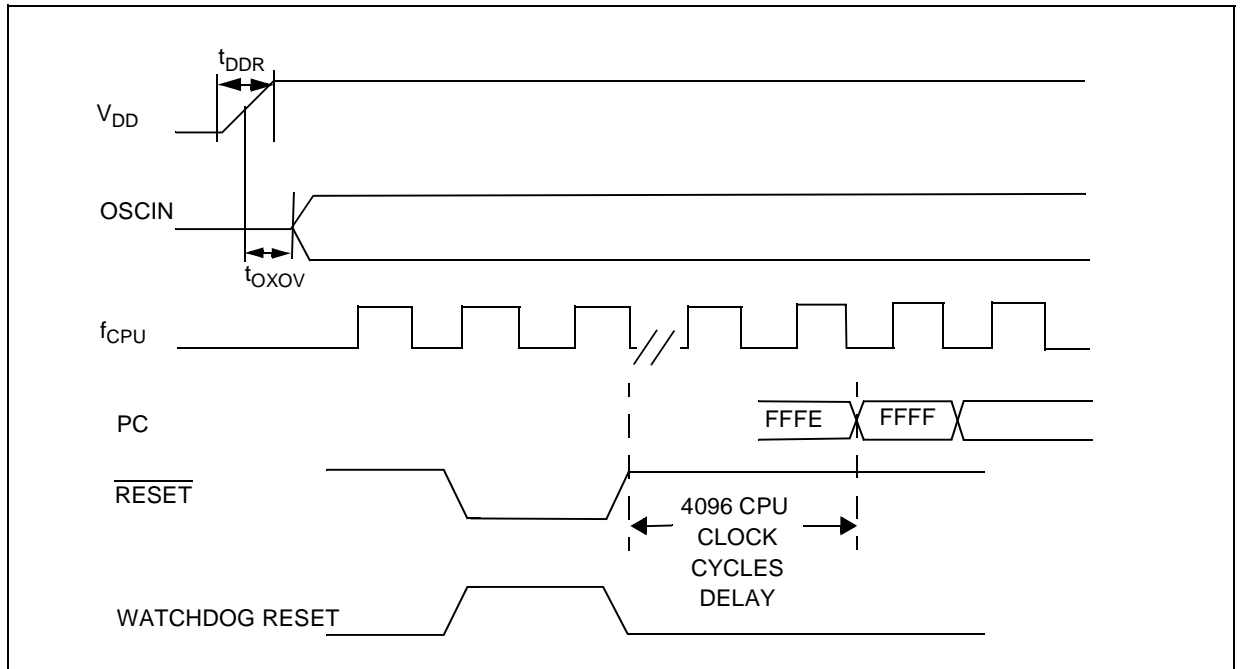
Note: Hysteresis ( $V_{IT+} - V_{IT-}$ ) =  $V_{hys}$

Figure 11. Temporization timing diagram after an internal Reset



RESET (Cont'd)

Figure 12. Reset Timing Diagram



**Note:** Refer to Electrical Characteristics for values of  $t_{DDR}$ ,  $t_{OXOV}$ ,  $V_{IT+}$ ,  $V_{IT-}$  and  $V_{hys}$

## 6.2 CLOCK SYSTEM

### 6.2.1 General Description

The MCU accepts either a Crystal or Ceramic resonator, or an external clock signal to drive the internal oscillator. The internal clock ( $f_{CPU}$ ) is derived from the external oscillator frequency ( $f_{OSC}$ ), which is divided by 3 (and by 2 or 4 for USB, depending on the external clock used). The internal clock is further divided by 2 by setting the SMS bit in the Miscellaneous Register.

Using the OSC24/12 bit in the option byte, a 12 MHz or a 24 MHz external clock can be used to provide an internal frequency of either 2, 4 or 8 MHz while maintaining a 6 MHz for the USB (refer to Figure 15).

The internal clock signal ( $f_{CPU}$ ) is also routed to the on-chip peripherals. The CPU clock signal consists of a square wave with a duty cycle of 50%.

The internal oscillator is designed to operate with an AT-cut parallel resonant quartz or ceramic resonator in the frequency range specified for  $f_{OSC}$ . The circuit shown in Figure 14 is recommended when using a crystal, and Table 6, "Recommended Values for 24 MHz Crystal Resonator" lists the recommended capacitance. The crystal and associated components should be mounted as close as possible to the input pins in order to minimize output distortion and start-up stabilisation time.

**Table 6. Recommended Values for 24 MHz Crystal Resonator**

| $R_{SMAX}$   | 20 $\Omega$     | 25 $\Omega$     | 70 $\Omega$     |
|--------------|-----------------|-----------------|-----------------|
| $C_{OSCIN}$  | 56pF            | 47pF            | 22pF            |
| $C_{OSCOUT}$ | 56pF            | 47pF            | 22pF            |
| $R_P$        | 1-10 M $\Omega$ | 1-10 M $\Omega$ | 1-10 M $\Omega$ |

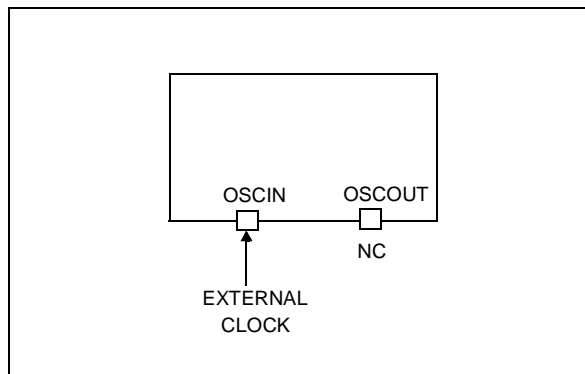
**Note:**  $R_{SMAX}$  is the equivalent serial resistor of the crystal (see crystal specification).

### 6.2.2 External Clock

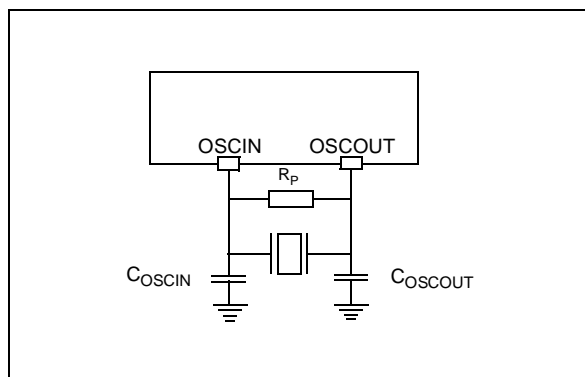
An external clock may be applied to the OSCIN input with the OSCOUT pin not connected, as shown on Figure 13. The  $t_{OXOV}$  specifications do not apply when using an external clock input. The equivalent specification of the external clock

source should be used instead of  $t_{OXOV}$  (see Section 6.5 CONTROL TIMING).

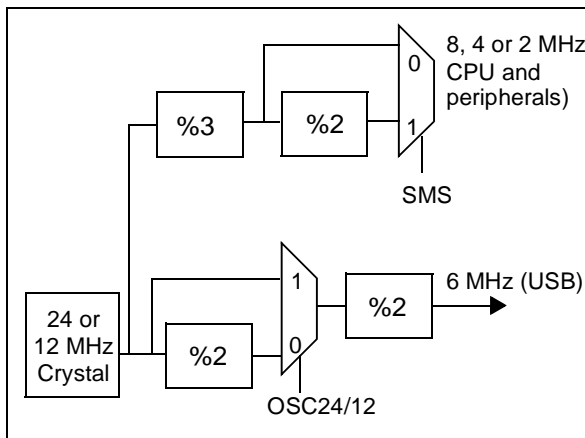
**Figure 13. External Clock Source Connections**



**Figure 14. Crystal/Ceramic Resonator**



**Figure 15. Clock Block Diagram**



## 7 INTERRUPTS

The ST7 core may be interrupted by one of two different methods: maskable hardware interrupts as listed in [Table 7, "Interrupt Mapping"](#) and a non-maskable software interrupt (TRAP). The Interrupt processing flowchart is shown in [Figure 16](#).

The maskable interrupts must be enabled clearing the I bit in order to be serviced. However, disabled interrupts may be latched and processed when they are enabled (see external interrupts subsection).

When an interrupt has to be serviced:

- Normal processing is suspended at the end of the current instruction execution.
- The PC, X, A and CC registers are saved onto the stack.
- The I bit of the CC register is set to prevent additional interrupts.
- The PC is then loaded with the interrupt vector of the interrupt to service and the first instruction of the interrupt service routine is fetched (refer to [Table 7, "Interrupt Mapping"](#) for vector addresses).

The interrupt service routine should finish with the IRET instruction which causes the contents of the saved registers to be recovered from the stack.

**Note:** As a consequence of the IRET instruction, the I bit will be cleared and the main program will resume.

### Priority Management

By default, a servicing interrupt cannot be interrupted because the I bit is set by hardware entering in interrupt routine.

In the case several interrupts are simultaneously pending, a hardware priority defines which one will be serviced first (see [Table 7, "Interrupt Mapping"](#)).

### Non-maskable Software Interrupts

This interrupt is entered when the TRAP instruction is executed regardless of the state of the I bit. It will be serviced according to the flowchart on [Figure 16](#).

### Interrupts and Low Power Mode

All interrupts allow the processor to leave the Wait low power mode. Only external and specific mentioned interrupts allow the processor to leave the Halt low power mode (refer to the "Exit from HALT" column in [Table 7, "Interrupt Mapping"](#)).

### External Interrupts

The pins ITi/PAk and ITj/PBk (i=1,2; j= 5,6; k=4,5) can generate an interrupt when a rising edge occurs on this pin. Conversely, the ITi/PAn and ITm/PBn pins (l=3,4; m= 7,8; n=6,7) can generate an interrupt when a falling edge occurs on this pin.

Interrupt generation will occur if it is enabled with the ITiE bit (i=1 to 8) in the ITRFRE register and if the I bit of the CCR is reset.

### Peripheral Interrupts

Different peripheral interrupt flags in the status register are able to cause an interrupt when they are active if both:

- The I bit of the CC register is cleared.
- The corresponding enable bit is set in the control register.

If any of these two conditions is false, the interrupt is latched and thus remains pending.

Clearing an interrupt request is done by one of the two following operations:

- Writing "0" to the corresponding bit in the status register.
- Accessing the status register while the flag is set followed by a read or write of an associated register.

#### Notes:

1. The clearing sequence resets the internal latch. A pending interrupt (i.e. waiting to be enabled) will therefore be lost if the clear sequence is executed.
2. All interrupts allow the processor to leave the Wait low power mode.
3. Exit from Halt mode may only be triggered by an External Interrupt on one of the ITi ports (PA4-PA7 and PB4-PB7), an end suspend mode Interrupt coming from USB peripheral, or a reset.

## INTERRUPTS (Cont'd)

Figure 16. Interrupt Processing Flowchart

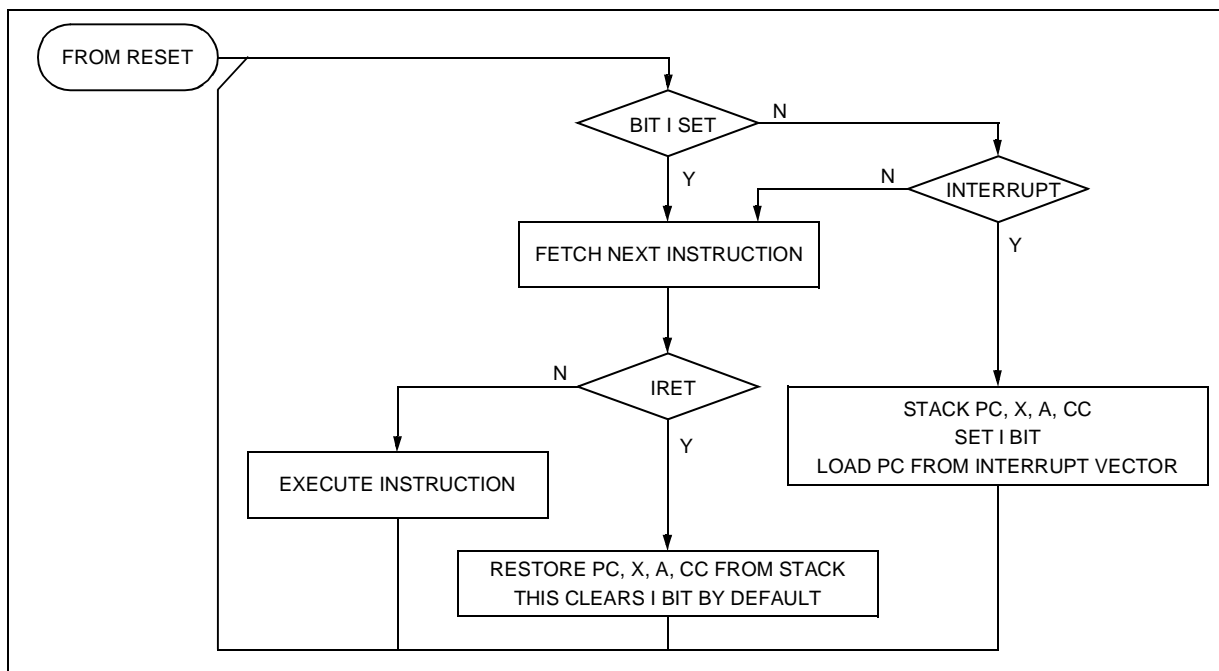


Table 7. Interrupt Mapping

| N° | Source Block     | Description                            | Register Label                             | Priority Order       | Exit from HALT | Vector Address |
|----|------------------|--|--|----------------------|----------------|----------------|
|    | RESET            | Reset                                  | N/A  | Highest Priority     | yes            | FFFEh-FFFFh    |
|    | TRAP             | Software Interrupt                     |  |                      | no             | FFFCh-FFFDh    |
|    | FLASH            | Flash Start Programming Interrupt      |  | ↓<br>Lowest Priority | yes            | FFFAh-FFFBh    |
|    | USB              | End Suspend Mode                       | ISTR                                       |                      | yes            | FFF8h-FFF9h    |
| 1  | ITi              | External Interrupts                    | ITRFRE                                     |                      | yes            | FFF6h-FFF7h    |
| 2  | TIMER            | Timer Peripheral Interrupts            | TIMSR                                      |                      | no             | FFF4h-FFF5h    |
| 3  | I <sup>2</sup> C | I <sup>2</sup> C Peripheral Interrupts | I <sup>2</sup> CSR1<br>I <sup>2</sup> CSR2 |                      | no             | FFF2h-FFF3h    |
| 4  | SCI              | SCI Peripheral Interrupts              | SCISR                                      |                      | FFF0h-FFF1h    |                |
| 5  | USB              | USB Peripheral Interrupts              | ISTR                                       |                      | FFEEh-FFEFh    |                |

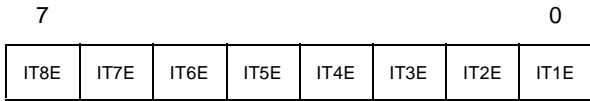
**INTERRUPTS** (Cont'd)

**7.1 Interrupt Register**

**INTERRUPTS REGISTER (ITRFRE)**

Address: 0008h — Read/Write

Reset Value: 0000 0000 (00h)



Bit 7:0 = **ITiE (i=1 to 8)**. *Interrupt Enable Control Bits.*

If an ITiE bit is set, the corresponding interrupt is generated when

– a rising edge occurs on the pin PA4/IT1 or PA5/IT2 or PB4/IT5 or PB5/IT6

or

– a falling edge occurs on the pin PA6/IT3 or PA7/IT4 or PB6/IT7 or PB7/IT8

No interrupt is generated elsewhere.

**Note:** Analog input must be disabled for interrupts coming from port B.

## 8 POWER SAVING MODES

### 8.1 Introduction

To give a large measure of flexibility to the application in terms of power consumption, two main power saving modes are implemented in the ST7.

After a RESET, the normal operating mode is selected by default (RUN mode). This mode drives the device (CPU and embedded peripherals) by means of a master clock which is based on the main oscillator frequency divided by 3 ( $f_{CPU}$ ).

From Run mode, the different power saving modes may be selected by setting the relevant register bits or by calling the specific ST7 software instruction whose action depends on the oscillator status.

### 8.2 HALT Mode

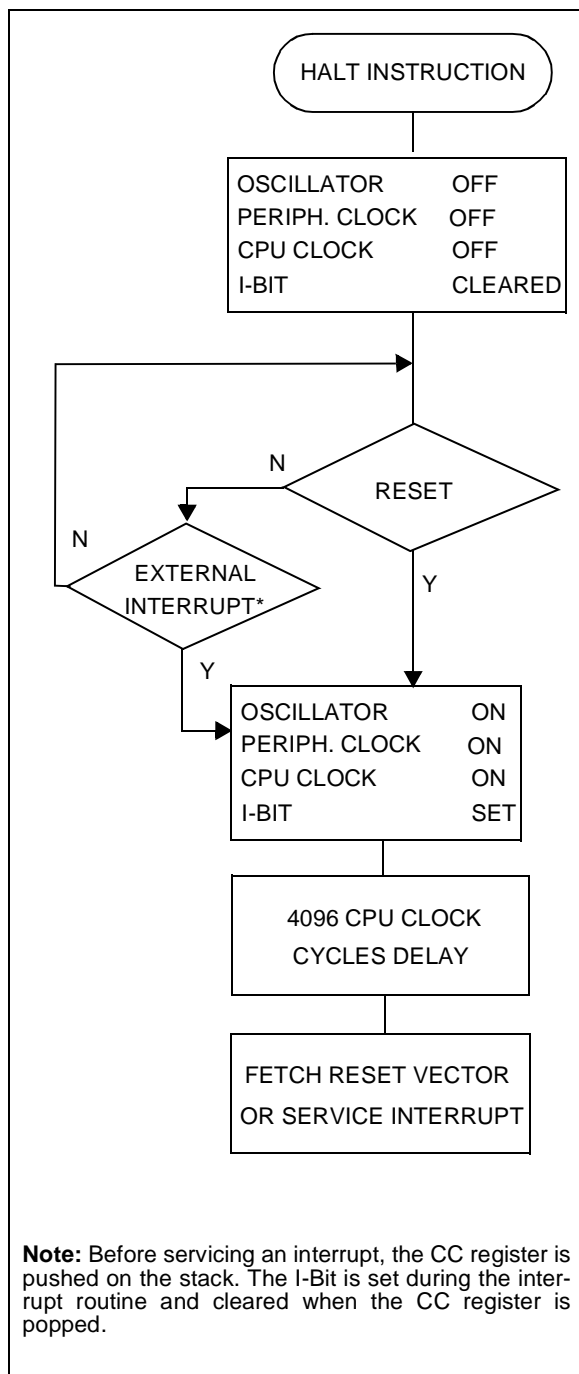
The MCU consumes the least amount of power in HALT mode. The HALT mode is entered by executing the HALT instruction. The internal oscillator is then turned off, causing all internal processing to be stopped, including the operation of the on-chip peripherals.

When entering HALT mode, the I bit in the Condition Code Register is cleared. Thus, all external interrupts (ITi or USB end suspend mode) are allowed and if an interrupt occurs, the CPU clock becomes active.

The MCU can exit HALT mode on reception of either an external interrupt on ITi, an end suspend mode interrupt coming from USB peripheral, or a reset. The oscillator is then turned on and a stabilization time is provided before releasing CPU operation. The stabilization time is 4096 CPU clock cycles.

After the start up delay, the CPU continues operation by servicing the interrupt which wakes it up or by fetching the reset vector if a reset wakes it up.

Figure 17. HALT Mode Flow Chart



POWER SAVING MODES (Cont'd)

8.3 SLOW Mode

In Slow mode, the oscillator frequency can be divided by 2 as selected by the SMS bit in the Miscellaneous Register. The CPU and peripherals are clocked at this lower frequency. Slow mode is used to reduce power consumption, and enables the user to adapt the clock frequency to the available supply voltage.

8.4 WAIT Mode

WAIT mode places the MCU in a low power consumption mode by stopping the CPU.

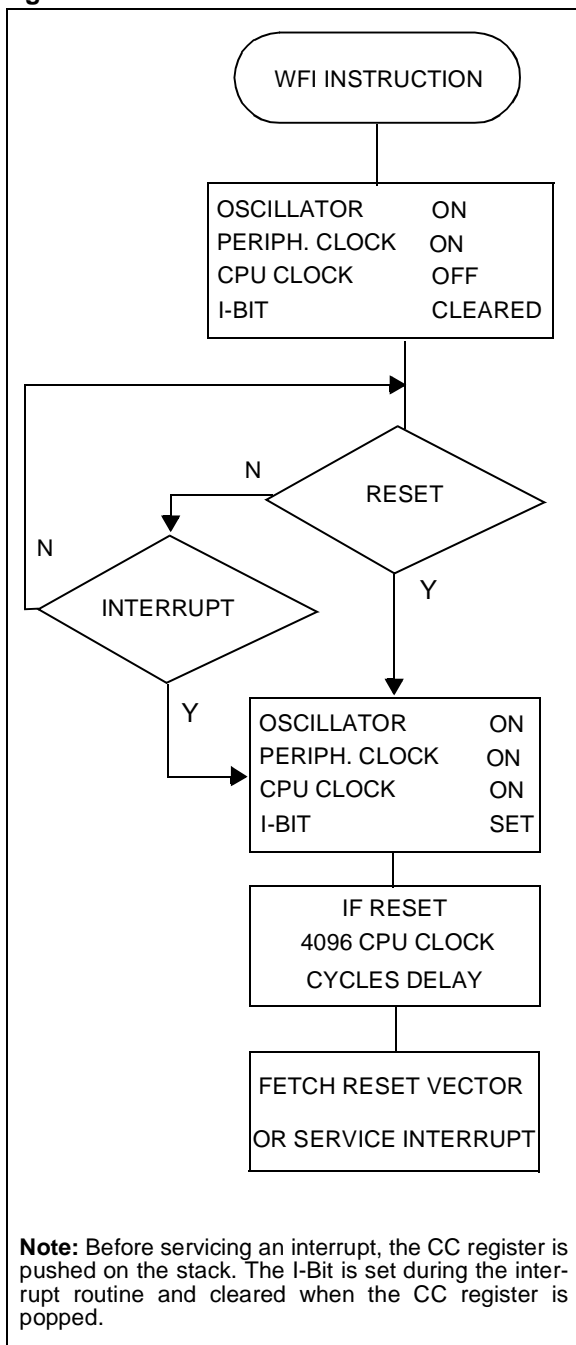
This power saving mode is selected by calling the "WFI" ST7 software instruction.

All peripherals remain active. During WAIT mode, the I bit of the CC register is forced to 0 to enable all interrupts. All other registers and memory remain unchanged. The MCU remains in WAIT mode until an interrupt or Reset occurs, whereupon the Program Counter branches to the starting address of the interrupt or Reset service routine.

The MCU will remain in WAIT mode until a Reset or an Interrupt occurs, causing it to wake up.

Refer to [Figure 18](#).

Figure 18. WAIT Mode Flow Chart





## 9 I/O PORTS

### 9.1 Introduction

The I/O ports offer different functional modes:

- Transfer of data through digital inputs and outputs and for specific pins
- Analog signal input (ADC)
- Alternate signal input/output for the on-chip peripherals
- External interrupt generation

An I/O port consists of up to 8 pins. Each pin can be programmed independently as a digital input (with or without interrupt generation) or a digital output.

### 9.2 Functional description

Each port is associated to 2 main registers:

- Data Register (DR)
- Data Direction Register (DDR)

Each I/O pin may be programmed using the corresponding register bits in DDR register: bit X corresponding to pin X of the port. The same correspondence is used for the DR register.

**Table 8. I/O Pin Functions**

| DDR | MODE   |
|-----|--------|
| 0   | Input  |
| 1   | Output |

#### Input Modes

The input configuration is selected by clearing the corresponding DDR register bit.

In this case, reading the DR register returns the digital value applied to the external I/O pin.

**Note 1:** All the inputs are triggered by a Schmitt trigger.

**Note 2:** When switching from input mode to output mode, the DR register should be written first to output the correct value as soon as the port is configured as an output.

#### Interrupt function

When an I/O is configured as an Input with Interrupt, an event on this I/O can generate an external Interrupt request to the CPU. The interrupt sensi-

tivity is given independently according to the description mentioned in the ITRFRE interrupt register.

Each pin can independently generate an Interrupt request.

Each external interrupt vector is linked to a dedicated group of I/O port pins (see Interrupts section). If more than one input pin is selected simultaneously as an interrupt source, this is logically ORed. For this reason if one of the interrupt pins is tied low, the other ones are masked.

#### Output Mode

The pin is configured in output mode by setting the corresponding DDR register bit (see Table 7).

In this mode, writing “0” or “1” to the DR register applies this digital value to the I/O pin through the latch. Therefore, the previously saved value is restored when the DR register is read.

**Note:** The interrupt function is disabled in this mode.

#### Digital Alternate Function

When an on-chip peripheral is configured to use a pin, the alternate function is automatically selected. This alternate function takes priority over standard I/O programming. When the signal is coming from an on-chip peripheral, the I/O pin is automatically configured in output mode (push-pull or open drain according to the peripheral).

When the signal is going to an on-chip peripheral, the I/O pin has to be configured in input mode. In this case, the pin’s state is also digitally readable by addressing the DR register.

#### Notes:

1. Input pull-up configuration can cause an unexpected value at the input of the alternate peripheral input.
2. When the on-chip peripheral uses a pin as input and output, this pin must be configured as an input (DDR = 0).

**Warning:** The alternate function must not be activated as long as the pin is configured as an input with interrupt in order to avoid generating spurious interrupts.

**I/O PORTS** (Cont'd)**Analog Alternate Function**

When the pin is used as an ADC input the I/O must be configured as a floating input. The analog multiplexer (controlled by the ADC registers) switches the analog voltage present on the selected pin to the common analog rail which is connected to the ADC input.

It is recommended not to change the voltage level or loading on any port pin while conversion is in progress. Furthermore it is recommended not to

have clocking pins located close to a selected analog pin.

**Warning:** The analog input voltage level must be within the limits stated in the Absolute Maximum Ratings.

**9.3 I/O Port Implementation**

The hardware implementation on each I/O port depends on the settings in the DDR register and specific feature of the I/O port such as ADC Input or true open drain.

## I/O PORTS (Cont'd)

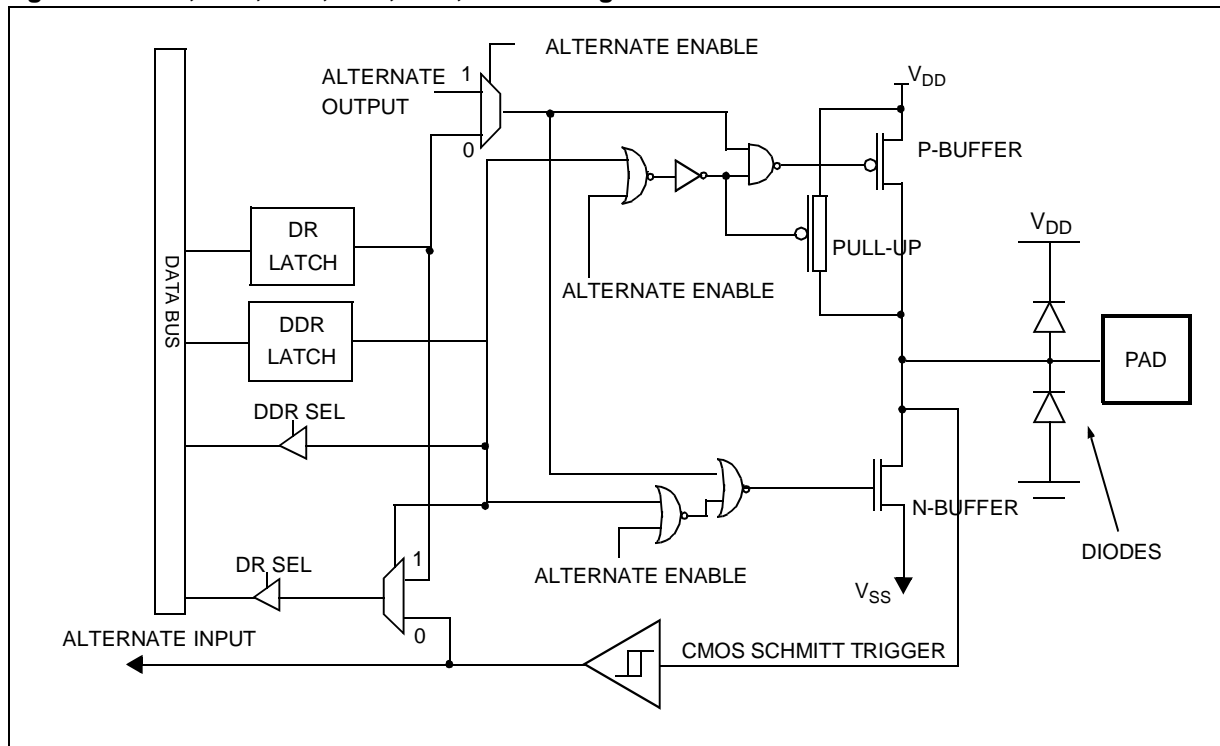
## 9.3.1 Port A

Table 9. Port A0, A3, A4, A5, A6, A7 Description

| PORT A | I/O          |           | Alternate Function          |                                |
|--------|--------------|-----------|-----------------------------|--------------------------------|
|        | Input*       | Output    | Signal                      | Condition                      |
| PA0    | with pull-up | push-pull | MCO (Main Clock Output)     | MCO = 1 (MISCR)                |
| PA3    | with pull-up | push-pull | Timer EXTCLK                | CC1 = 1<br>CC0 = 1 (Timer CR2) |
| PA4    | with pull-up | push-pull | Timer ICAP1                 |                                |
|        |              |           | IT1 Schmitt triggered input | IT1E = 1 (ITIFRE)              |
| PA5    | with pull-up | push-pull | Timer ICAP2                 |                                |
|        |              |           | IT2 Schmitt triggered input | IT2E = 1 (ITIFRE)              |
| PA6    | with pull-up | push-pull | Timer OCMP1                 | OC1E = 1                       |
|        |              |           | IT3 Schmitt triggered input | IT3E = 1 (ITIFRE)              |
| PA7    | with pull-up | push-pull | Timer OCMP2                 | OC2E = 1                       |
|        |              |           | IT4 Schmitt triggered input | IT4E = 1 (ITIFRE)              |

\*Reset State

Figure 19. PA0, PA3, PA4, PA5, PA6, PA7 Configuration



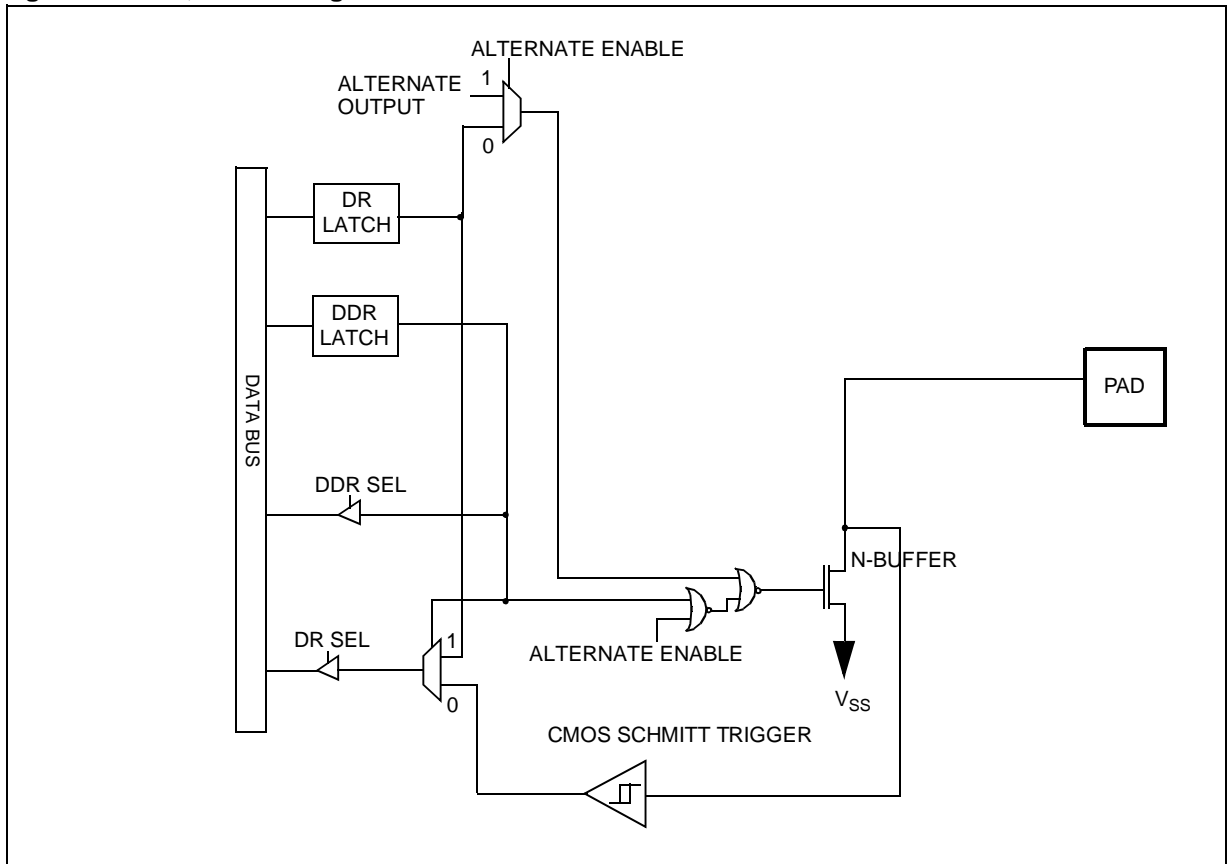
I/O PORTS (Cont'd)

Table 10. PA1, PA2 Description

| PORT A | I/O             |                              | Alternate Function           |                         |
|--------|-----------------|------------------------------|------------------------------|-------------------------|
|        | Input*          | Output                       | Signal                       | Condition               |
| PA1    | without pull-up | Very High Current open drain | SDA (I <sup>2</sup> C data)  | I <sup>2</sup> C enable |
| PA2    | without pull-up | Very High Current open drain | SCL (I <sup>2</sup> C clock) | I <sup>2</sup> C enable |

\*Reset State

Figure 20. PA1, PA2 Configuration



## I/O PORTS (Cont'd)

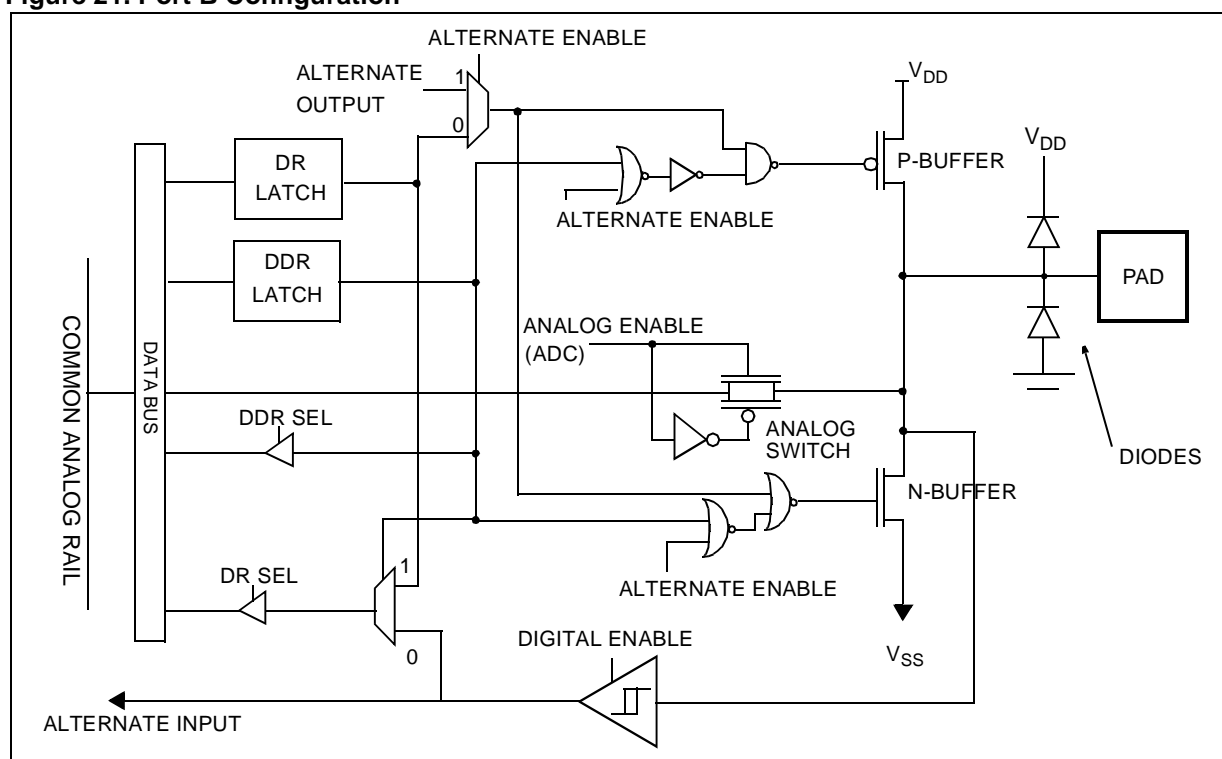
## 9.3.2 Port B

Table 11. Port B Description

| PORT B | I/O             |           | Alternate Function          |                        |
|--------|-----------------|-----------|-----------------------------|------------------------|
|        | Input*          | Output    | Signal                      | Condition              |
| PB0    | without pull-up | push-pull | Analog input (ADC)          | CH[2:0] = 000 (ADCCSR) |
| PB1    | without pull-up | push-pull | Analog input (ADC)          | CH[2:0] = 001 (ADCCSR) |
| PB2    | without pull-up | push-pull | Analog input (ADC)          | CH[2:0] = 010 (ADCCSR) |
| PB3    | without pull-up | push-pull | Analog input (ADC)          | CH[2:0] = 011 (ADCCSR) |
| PB4    | without pull-up | push-pull | Analog input (ADC)          | CH[2:0] = 100 (ADCCSR) |
|        |                 |           | IT5 Schmitt triggered input | IT4E = 1 (ITIFRE)      |
| PB5    | without pull-up | push-pull | Analog input (ADC)          | CH[2:0] = 101 (ADCCSR) |
|        |                 |           | IT6 Schmitt triggered input | IT5E = 1 (ITIFRE)      |
| PB6    | without pull-up | push-pull | Analog input (ADC)          | CH[2:0] = 110 (ADCCSR) |
|        |                 |           | IT7 Schmitt triggered input | IT6E = 1 (ITIFRE)      |
| PB7    | without pull-up | push-pull | Analog input (ADC)          | CH[2:0] = 111 (ADCCSR) |
|        |                 |           | IT8 Schmitt triggered input | IT7E = 1 (ITIFRE)      |

\*Reset State

Figure 21. Port B Configuration



I/O PORTS (Cont'd)

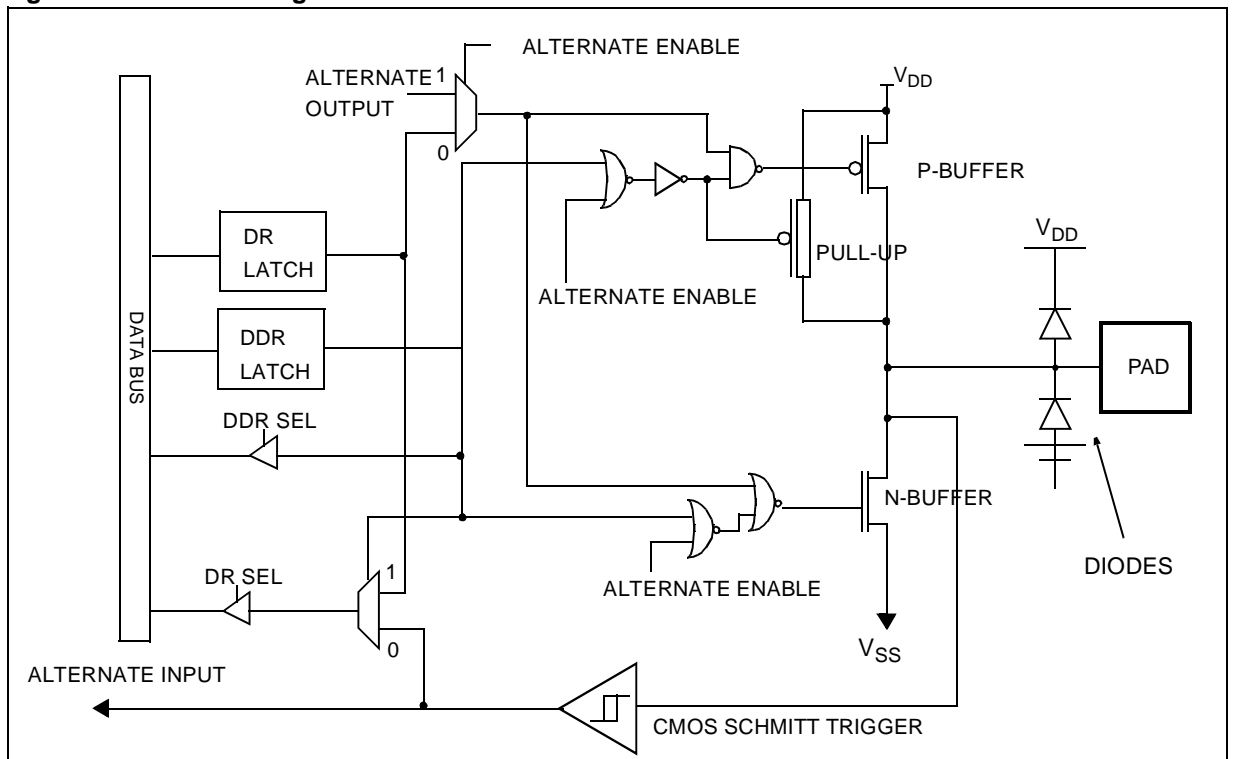
9.3.3 Port C

Table 12. Port C Description

| PORT C | I/O          |           | Alternate Function        |                   |
|--------|--------------|-----------|---------------------------|-------------------|
|        | Input*       | Output    | Signal                    | Condition         |
| PC0    | with pull-up | push-pull | RDI (SCI input)           |                   |
| PC1    | with pull-up | push-pull | TDO (SCI output)          | SCI enable        |
| PC2    | with pull-up | push-pull | USBOE (USB output enable) | USBOE = 1 (MISCR) |

\*Reset State

Figure 22. Port C Configuration



**I/O PORTS** (Cont'd)**9.3.4 Register Description****DATA REGISTERS (PxDR)**

Port A Data Register (PADR): 0000h

Port B Data Register (PBDR): 0002h

Port C Data Register (PCDR): 0004h

Read/Write

Reset Value Port A: 0000 0000 (00h)

Reset Value Port B: 0000 0000 (00h)

Reset Value Port C: 1111 x000 (FXh)

**Note:** For Port C, unused bits (7-3) are not accessible.

|    |    |    |    |    |    |    |    |
|----|----|----|----|----|----|----|----|
| 7  |    |    |    |    |    |    | 0  |
| D7 | D6 | D5 | D4 | D3 | D2 | D1 | D0 |

**Bit 7:0 = D[7:0]** Data Register 8 bits.

The DR register has a specific behaviour according to the selected input/output configuration. Writing the DR register is always taken into account even if the pin is configured as an input. Reading the DR register returns either the DR register latch content (pin configured as output) or the digital value applied to the I/O pin (pin configured as input).

**DATA DIRECTION REGISTER (PxDDR)**

Port A Data Direction Register (PADDR): 0001h

Port B Data Direction Register (PBDDR): 0003h

Port C Data Direction Register (PCDDR): 0005h

Read/Write

Reset Value Port A: 0000 0000 (00h)

Reset Value Port B: 0000 0000 (00h)

Reset Value Port C: 1111 x000 (FXh)

**Note:** For Port C, unused bits (7-3) are not accessible

|     |     |     |     |     |     |     |     |
|-----|-----|-----|-----|-----|-----|-----|-----|
| 7   |     |     |     |     |     |     | 0   |
| DD7 | DD6 | DD5 | DD4 | DD3 | DD2 | DD1 | DD0 |

**Bit 7:0 = DD[7:0]** Data Direction Register 8 bits.

The DDR register gives the input/output direction configuration of the pins. Each bit is set and cleared by software.

0: Input mode

1: Output mode

**Table 13. I/O Ports Register Map**

| Address (Hex.) | Register Label | 7   | 6 | 5 | 4 | 3 | 2 | 1 | 0   |
|----------------|----------------|-----|---|---|---|---|---|---|-----|
| 00             | <b>PADR</b>    | MSB |   |   |   |   |   |   | LSB |
| 01             | <b>PADDR</b>   | MSB |   |   |   |   |   |   | LSB |
| 02             | <b>PBDR</b>    | MSB |   |   |   |   |   |   | LSB |
| 03             | <b>PBDDR</b>   | MSB |   |   |   |   |   |   | LSB |
| 04             | <b>PCDR</b>    | MSB |   |   |   |   |   |   | LSB |
| 05             | <b>PCDDR</b>   | MSB |   |   |   |   |   |   | LSB |

## 10 MISCELLANEOUS REGISTER

Address: 0009h — Read/Write  
 Reset Value: 0000 0000 (00h)

|   |   |   |   |   |     |       |     |   |
|---|---|---|---|---|-----|-------|-----|---|
| 7 |   |   |   |   |     |       |     | 0 |
| - | - | - | - | - | SMS | USBOE | MCO |   |

Bit 7:3 = Reserved

Bit 2 = **SMS** *Slow Mode Select*.

This bit is set by software and only cleared by hardware after a reset. If this bit is set, it enables the use of an internal divide-by-2 clock divider (refer to [Figure 15 on page 19](#)). The SMS bit has no effect on the USB frequency.

0: Divide-by-2 disabled and CPU clock frequency is standard

1: Divide-by-2 enabled and CPU clock frequency is halved.

Bit 1 = **USBOE** *USB enable*.

If this bit is set, the port PC2 outputs the USB output enable signal (at “1” when the ST7 USB is transmitting data).

Unused bits 7-4 are set.

Bit 0 = **MCO** *Main Clock Out selection*

This bit enables the MCO alternate function on the PA0 I/O port. It is set and cleared by software.

0: MCO alternate function disabled (I/O pin free for general-purpose I/O)

1: MCO alternate function enabled ( $f_{CPU}$  on I/O port)



## 11 ON-CHIP PERIPHERALS

### 11.1 WATCHDOG TIMER (WDG)

#### 11.1.1 Introduction

The Watchdog timer is used to detect the occurrence of a software fault, usually generated by external interference or by unforeseen logical conditions, which causes the application program to abandon its normal sequence. The Watchdog circuit generates an MCU reset on expiry of a programmed time period, unless the program refreshes the counter's contents before the T6 bit becomes cleared.

#### 11.1.2 Main Features

- Programmable timer (64 increments of 49,152 CPU cycles)
- Programmable reset
- Reset (if watchdog activated) when the T6 bit reaches zero
- Optional reset on HALT instruction (configurable by option byte)
- Hardware Watchdog selectable by option byte.

#### 11.1.3 Functional Description

The counter value stored in the CR register (bits T6:T0), is decremented every 49,152 machine cy-

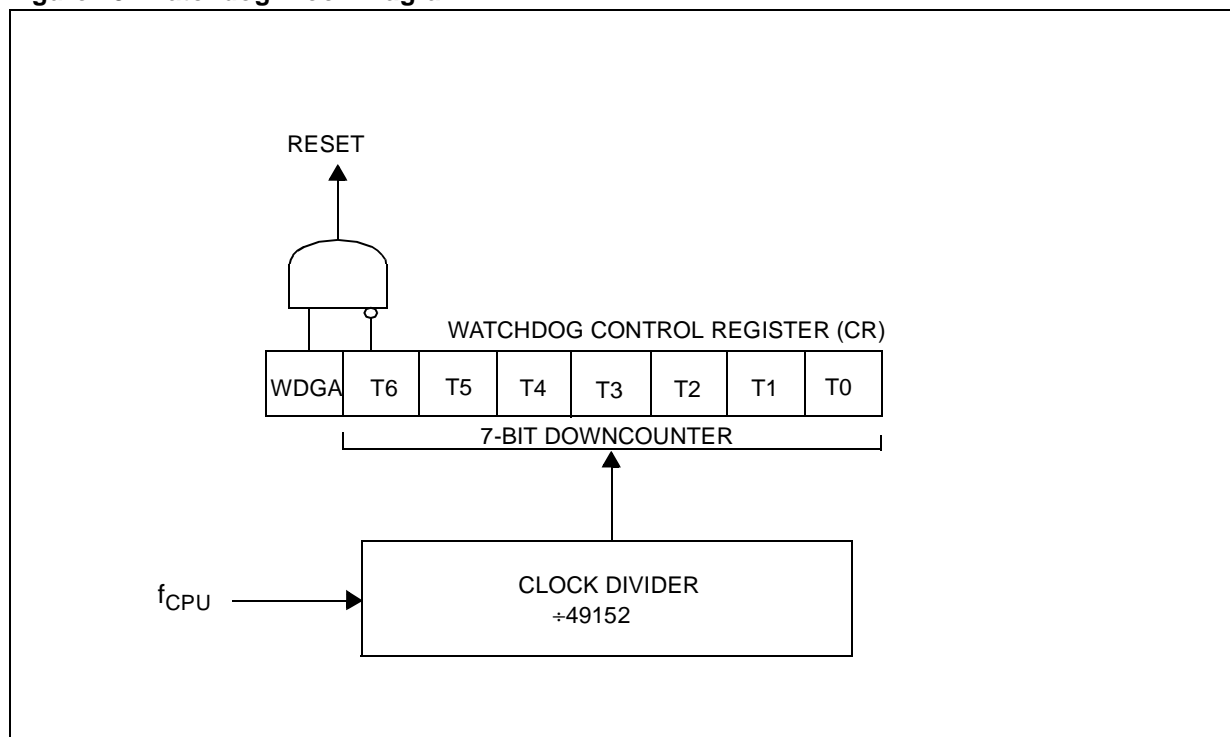
cles, and the length of the timeout period can be programmed by the user in 64 increments.

If the watchdog is activated (the WDGA bit is set) and when the 7-bit timer (bits T6:T0) rolls over from 40h to 3Fh (T6 becomes cleared), it initiates a reset cycle pulling low the reset pin for typically 500ns.

The application program must write in the CR register at regular intervals during normal operation to prevent an MCU reset. The value to be stored in the CR register must be between FFh and C0h (see [Table 14](#), ". Watchdog Timing (fCPU = 8 MHz)"):

- The WDGA bit is set (watchdog enabled)
- The T6 bit is set to prevent generating an immediate reset
- The T5:T0 bits contain the number of increments which represents the time delay before the watchdog produces a reset.

**Figure 23. Watchdog Block Diagram**



## WATCHDOG TIMER (Cont'd)

Table 14. Watchdog Timing ( $f_{CPU} = 8 \text{ MHz}$ )

|     | CR Register initial value | WDG timeout period (ms) |
|-----|---------------------------|-------------------------|
| Max | FFh                       | 393.216                 |
| Min | C0h                       | 6.144                   |

**Notes:** Following a reset, the watchdog is disabled. Once activated it cannot be disabled, except by a reset.

The T6 bit can be used to generate a software reset (the WDGA bit is set and the T6 bit is cleared).

#### 11.1.4 Software Watchdog Option

If Software Watchdog is selected by option byte, the watchdog is disabled following a reset. Once activated it cannot be disabled, except by a reset.

The T6 bit can be used to generate a software reset (the WDGA bit is set and the T6 bit is cleared).

#### 11.1.5 Hardware Watchdog Option

If Hardware Watchdog is selected by option byte, the watchdog is always active and the WDGA bit in the CR is not used.

#### 11.1.6 Low Power Modes

##### WAIT Instruction

No effect on Watchdog.

##### HALT Instruction

If the Watchdog reset on HALT option is selected by option byte, a HALT instruction causes an immediate reset generation if the Watchdog is activated (WDGA bit is set).

##### 11.1.6.1 Using Halt Mode with the WDG (option)

If the Watchdog reset on HALT option is not selected by option byte, the Halt mode can be used when the watchdog is enabled.

In this case, the HALT instruction stops the oscillator. When the oscillator is stopped, the WDG stops counting and is no longer able to generate a reset until the microcontroller receives an external interrupt or a reset.

If an external interrupt is received, the WDG restarts counting after 4096 CPU clocks. If a reset is generated, the WDG is disabled (reset state).

#### Recommendations

- Make sure that an external event is available to wake up the microcontroller from Halt mode.
- Before executing the HALT instruction, refresh the WDG counter, to avoid an unexpected WDG reset immediately after waking up the microcontroller.
- When using an external interrupt to wake up the microcontroller, reinitialize the corresponding I/O as “Input Pull-up with Interrupt” before executing the HALT instruction. The main reason for this is that the I/O may be wrongly configured due to external interference or by an unforeseen logical condition.
- For the same reason, reinitialize the level sensitivity of each external interrupt as a precautionary measure.
- The opcode for the HALT instruction is 0x8E. To avoid an unexpected HALT instruction due to a program counter failure, it is advised to clear all occurrences of the data value 0x8E from memory. For example, avoid defining a constant in ROM with the value 0x8E.
- As the HALT instruction clears the I bit in the CC register to allow interrupts, the user may choose to clear all pending interrupt bits before executing the HALT instruction. This avoids entering other peripheral interrupt routines after executing the external interrupt routine corresponding to the wake-up event (reset or external interrupt).

#### 11.1.7 Interrupts

None.

**WATCHDOG TIMER (Cont'd)****11.1.8 Register Description****CONTROL REGISTER (CR)**

Read/Write

Reset Value: 0111 1111 (7Fh)

|      |    |    |    |    |    |    |    |  |   |
|------|----|----|----|----|----|----|----|--|---|
| 7    |    |    |    |    |    |    |    |  | 0 |
| WDGA | T6 | T5 | T4 | T3 | T2 | T1 | T0 |  |   |

Bit 7 = **WDGA** *Activation bit.*

This bit is set by software and only cleared by

hardware after a reset. When WDGA = 1, the watchdog can generate a reset.

0: Watchdog disabled

1: Watchdog enabled

Bit 6:0 = **T[6:0]** *7-bit timer (MSB to LSB).*

These bits contain the decremented value. A reset is produced when it rolls over from 40h to 3Fh (T6 becomes cleared).

**Table 15. Watchdog Timer Register Map and Reset Values**

| Address (Hex.) | Register Label              | 7         | 6       | 5       | 4       | 3       | 2       | 1       | 0       |
|----------------|-----------------------------|-----------|---------|---------|---------|---------|---------|---------|---------|
| 0Ch            | <b>WDGCR</b><br>Reset Value | WDGA<br>0 | T6<br>1 | T5<br>1 | T4<br>1 | T3<br>1 | T2<br>1 | T1<br>1 | T0<br>1 |

## 11.2 16-BIT TIMER

### 11.2.1 Introduction

The timer consists of a 16-bit free-running counter driven by a programmable prescaler.

It may be used for a variety of purposes, including pulse length measurement of up to two input signals (*input capture*) or generation of up to two output waveforms (*output compare* and *PWM*).

Pulse lengths and waveform periods can be modulated from a few microseconds to several milliseconds using the timer prescaler and the CPU clock prescaler.

Some ST7 devices have two on-chip 16-bit timers. They are completely independent, and do not share any resources. They are synchronized after a MCU reset as long as the timer clock frequencies are not modified.

This description covers one or two 16-bit timers. In ST7 devices with two timers, register names are prefixed with TA (Timer A) or TB (Timer B).

### 11.2.2 Main Features

- Programmable prescaler:  $f_{CPU}$  divided by 2, 4 or 8.
- Overflow status flag and maskable interrupt
- External clock input (must be at least 4 times slower than the CPU clock speed) with the choice of active edge
- 1 or 2 Output Compare functions each with:
  - 2 dedicated 16-bit registers
  - 2 dedicated programmable signals
  - 2 dedicated status flags
  - 1 dedicated maskable interrupt
- 1 or 2 Input Capture functions each with:
  - 2 dedicated 16-bit registers
  - 2 dedicated active edge selection signals
  - 2 dedicated status flags
  - 1 dedicated maskable interrupt
- Pulse width modulation mode (PWM)
- One pulse mode
- Reduced Power Mode
- 5 alternate functions on I/O ports (ICAP1, ICAP2, OCMP1, OCMP2, EXTCLK)\*

The Block Diagram is shown in [Figure 24](#).

**\*Note:** Some timer pins may not be available (not bonded) in some ST7 devices. Refer to the device pin out description.

When reading an input signal on a non-bonded pin, the value will always be '1'.

### 11.2.3 Functional Description

#### 11.2.3.1 Counter

The main block of the Programmable Timer is a 16-bit free running upcounter and its associated 16-bit registers. The 16-bit registers are made up of two 8-bit registers called high & low.

Counter Register (CR):

- Counter High Register (CHR) is the most significant byte (MS Byte).
- Counter Low Register (CLR) is the least significant byte (LS Byte).

Alternate Counter Register (ACR)

- Alternate Counter High Register (ACHR) is the most significant byte (MS Byte).
- Alternate Counter Low Register (ACLR) is the least significant byte (LS Byte).

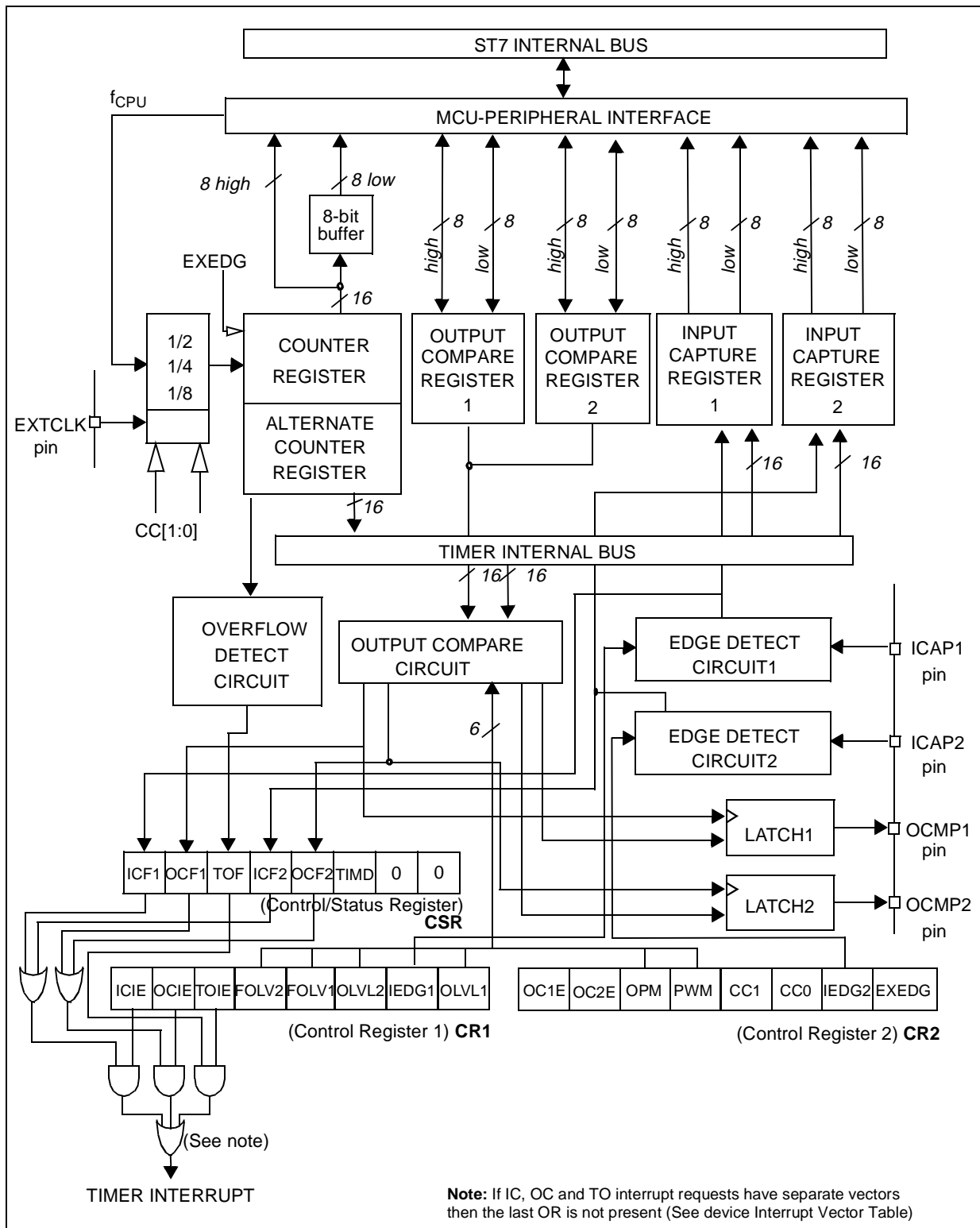
These two read-only 16-bit registers contain the same value but with the difference that reading the ACLR register does not clear the TOF bit (Timer overflow flag), located in the Status register, (SR), (see note at the end of paragraph titled 16-bit read sequence).

Writing in the CLR register or ACLR register resets the free running counter to the FFFCh value. Both counters have a reset value of FFFCh (this is the only value which is reloaded in the 16-bit timer). The reset value of both counters is also FFFCh in One Pulse mode and PWM mode.

The timer clock depends on the clock control bits of the CR2 register, as illustrated in [Table 16, "Clock Control Bits"](#). The value in the counter register repeats every 131072, 262144 or 524288 CPU clock cycles depending on the CC[1:0] bits. The timer frequency can be  $f_{CPU}/2$ ,  $f_{CPU}/4$ ,  $f_{CPU}/8$  or an external frequency.

## 16-BIT TIMER (Cont'd)

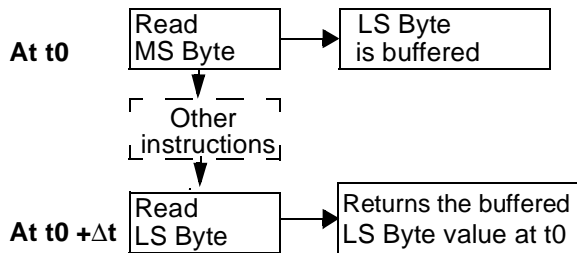
Figure 24. Timer Block Diagram



**16-BIT TIMER** (Cont'd)

**16-bit read sequence:** (from either the Counter Register or the Alternate Counter Register).

*Beginning of the sequence*



*Sequence completed*

The user must read the MS Byte first, then the LS Byte value is buffered automatically.

This buffered value remains unchanged until the 16-bit read sequence is completed, even if the user reads the MS Byte several times.

After a complete reading sequence, if only the CLR register or ACLR register are read, they return the LS Byte of the count value at the time of the read.

Whatever the timer mode used (input capture, output compare, one pulse mode or PWM mode) an overflow occurs when the counter rolls over from FFFFh to 0000h then:

- The TOF bit of the SR register is set.
- A timer interrupt is generated if:
  - TOIE bit of the CR1 register is set and
  - I bit of the CC register is cleared.

If one of these conditions is false, the interrupt remains pending to be issued as soon as they are both true.

Clearing the overflow interrupt request is done in two steps:

1. Reading the SR register while the TOF bit is set.
2. An access (read or write) to the CLR register.

**Notes:** The TOF bit is not cleared by accesses to ACLR register. The advantage of accessing the ACLR register rather than the CLR register is that it allows simultaneous use of the overflow function and reading the free running counter at random times (for example, to measure elapsed time) without the risk of clearing the TOF bit erroneously.

The timer is not affected by WAIT mode.

In HALT mode, the counter stops counting until the mode is exited. Counting then resumes from the previous count (MCU awakened by an interrupt) or from the reset count (MCU awakened by a Reset).

### 11.2.3.2 External Clock

The external clock (where available) is selected if CC0=1 and CC1=1 in the CR2 register.

The status of the EXEDG bit in the CR2 register determines the type of level transition on the external clock pin EXTCLK that will trigger the free running counter.

The counter is synchronized with the falling edge of the internal CPU clock.

A minimum of four falling edges of the CPU clock must occur between two consecutive active edges of the external clock; thus the external clock frequency must be less than a quarter of the CPU clock frequency.

## 16-BIT TIMER (Cont'd)

Figure 25. Counter Timing Diagram, internal clock divided by 2

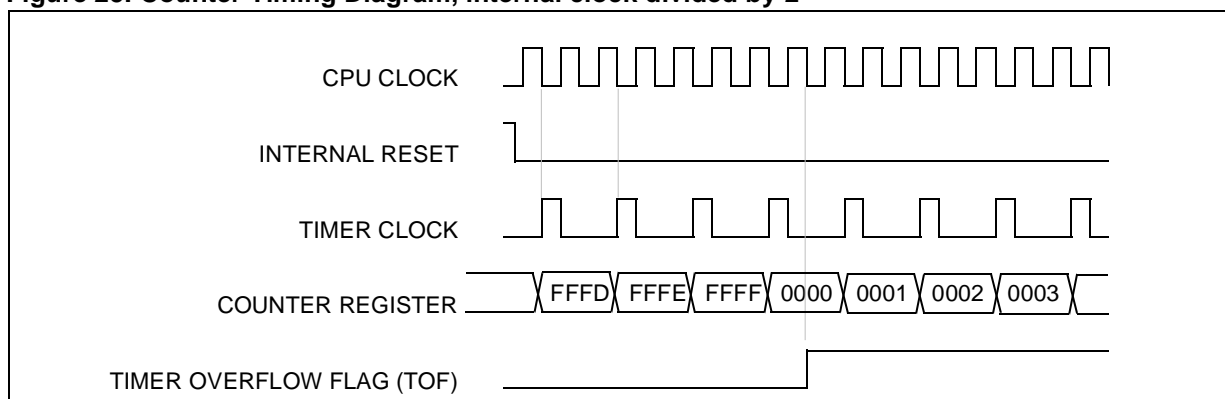


Figure 26. Counter Timing Diagram, internal clock divided by 4

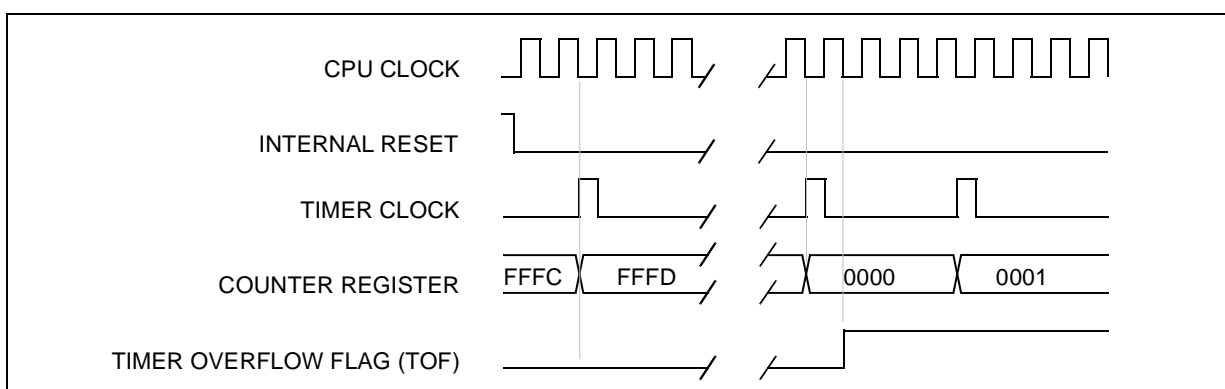
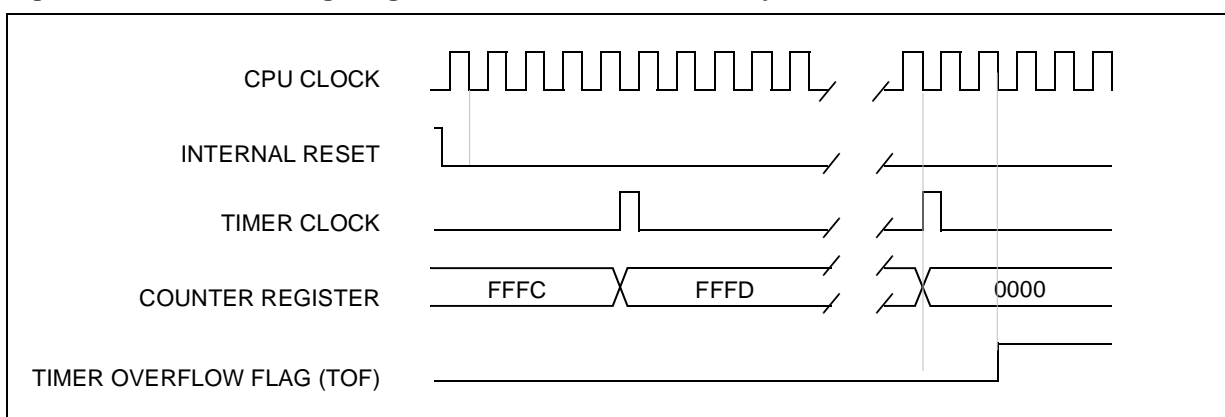


Figure 27. Counter Timing Diagram, internal clock divided by 8



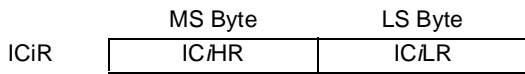
**Note:** The MCU is in reset state when the internal reset signal is high, when it is low the MCU is running.

**16-BIT TIMER (Cont'd)**

**11.2.3.3 Input Capture**

In this section, the index, *i*, may be 1 or 2 because there are 2 input capture functions in the 16-bit timer.

The two 16-bit input capture registers (IC1R and IC2R) are used to latch the value of the free running counter after a transition is detected on the ICAP*i* pin (see figure 5).



IC*i*R register is a read-only register.

The active transition is software programmable through the IEDG*i* bit of Control Registers (CR*i*).

Timing resolution is one count of the free running counter: ( $f_{CPU}/CC[1:0]$ ).

**Procedure:**

To use the input capture function select the following in the CR2 register:

- Select the timer clock (CC[1:0]) (see Table 16, "Clock Control Bits").
- Select the edge of the active transition on the ICAP2 pin with the IEDG2 bit (the ICAP2 pin must be configured as floating input or input with pull-up without interrupt if this configuration is available).

And select the following in the CR1 register:

- Set the ICIE bit to generate an interrupt after an input capture coming from either the ICAP1 pin or the ICAP2 pin
- Select the edge of the active transition on the ICAP1 pin with the IEDG1 bit (the ICAP1 pin must be configured as floating input or input with pull-up without interrupt if this configuration is available).

When an input capture occurs:

- ICF*i* bit is set.
- The IC*i*R register contains the value of the free running counter on the active transition on the ICAP*i* pin (see Figure 29).
- A timer interrupt is generated if the ICIE bit is set and the I bit is cleared in the CC register. Otherwise, the interrupt remains pending until both conditions become true.

Clearing the Input Capture interrupt request (i.e. clearing the ICF*i* bit) is done in two steps:

1. Reading the SR register while the ICF*i* bit is set.
2. An access (read or write) to the IC*i*LR register.

**Notes:**

1. After reading the IC*i*HR register, transfer of input capture data is inhibited and ICF*i* will never be set until the IC*i*LR register is also read.
2. The IC*i*R register contains the free running counter value which corresponds to the most recent input capture.
3. The 2 input capture functions can be used together even if the timer also uses the 2 output compare functions.
4. In One pulse Mode and PWM mode only Input Capture 2 can be used.
5. The alternate inputs (ICAP1 & ICAP2) are always directly connected to the timer. So any transitions on these pins activates the input capture function. Moreover if one of the ICAP*i* pins is configured as an input and the second one as an output, an interrupt can be generated if the user toggles the output pin and if the ICIE bit is set. This can be avoided if the input capture function *i* is disabled by reading the IC*i*HR (see note 1).
6. The TOF bit can be used with interrupt generation in order to measure events that go beyond the timer range (FFFFh).



16-BIT TIMER (Cont'd)

Figure 28. Input Capture Block Diagram

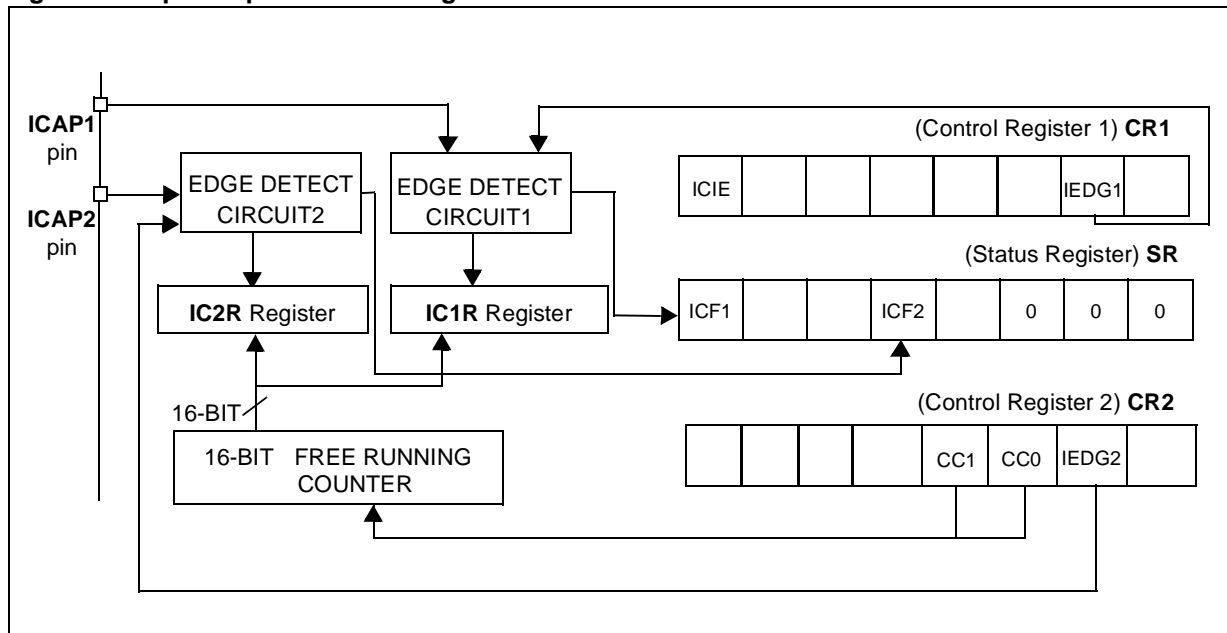
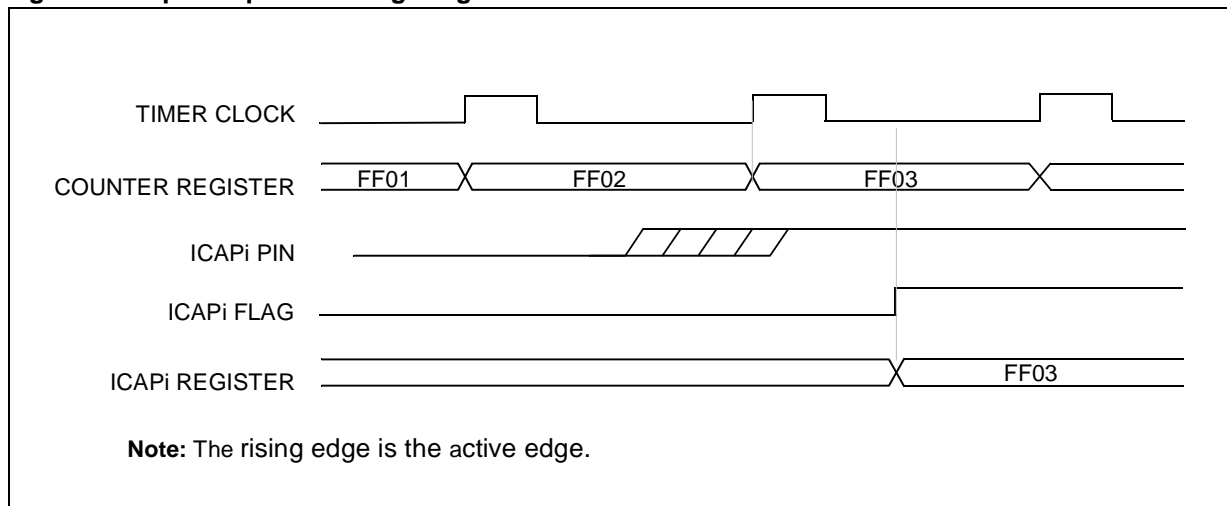


Figure 29. Input Capture Timing Diagram



**16-BIT TIMER (Cont'd)**

**11.2.3.4 Output Compare**

In this section, the index, *i*, may be 1 or 2 because there are 2 output compare functions in the 16-bit timer.

This function can be used to control an output waveform or indicate when a period of time has elapsed.

When a match is found between the Output Compare register and the free running counter, the output compare function:

- Assigns pins with a programmable value if the OC $\bar{E}$  bit is set
- Sets a flag in the status register
- Generates an interrupt if enabled

Two 16-bit registers Output Compare Register 1 (OC1R) and Output Compare Register 2 (OC2R) contain the value to be compared to the counter register each timer clock cycle.

|               |                |                |
|---------------|----------------|----------------|
|               | MS Byte        | LS Byte        |
| OC <i>i</i> R | OC <i>i</i> HR | OC <i>i</i> LR |

These registers are readable and writable and are not affected by the timer hardware. A reset event changes the OC*i*R value to 8000h.

Timing resolution is one count of the free running counter: ( $f_{CPU}/CC[1:0]$ ).

**Procedure:**

To use the output compare function, select the following in the CR2 register:

- Set the OC $\bar{E}$  bit if an output is needed then the OCMP*i* pin is dedicated to the output compare *i* signal.
- Select the timer clock (CC[1:0]) (see Table 16, "Clock Control Bits").

And select the following in the CR1 register:

- Select the OLVL*i* bit to applied to the OCMP*i* pins after the match occurs.
- Set the OCIE bit to generate an interrupt if it is needed.

When a match is found between OCR*i* register and CR register:

- OCF*i* bit is set.

- The OCMP*i* pin takes OLVL*i* bit value (OCMP*i* pin latch is forced low during reset).
- A timer interrupt is generated if the OCIE bit is set in the CR1 register and the I bit is cleared in the CC register (CC).

The OC*i*R register value required for a specific timing application can be calculated using the following formula:

$$\Delta OC_iR = \frac{\Delta t * f_{CPU}}{PRESC}$$

Where:

- $\Delta t$  = Output compare period (in seconds)
- $f_{CPU}$  = CPU clock frequency (in hertz)
- PRESC = Timer prescaler factor (2, 4 or 8 depending on CC[1:0] bits, see Table 16, "Clock Control Bits")

If the timer clock is an external clock, the formula is:

$$\Delta OC_iR = \Delta t * f_{EXT}$$

Where:

- $\Delta t$  = Output compare period (in seconds)
- $f_{EXT}$  = External timer clock frequency (in hertz)

Clearing the output compare interrupt request (i.e. clearing the OCF*i* bit) is done by:

1. Reading the SR register while the OCF*i* bit is set.
2. An access (read or write) to the OC*i*LR register.

The following procedure is recommended to prevent the OCF*i* bit from being set between the time it is read and the write to the OC*i*R register:

- Write to the OC*i*HR register (further compares are inhibited).
- Read the SR register (first step of the clearance of the OCF*i* bit, which may be already set).
- Write to the OC*i*LR register (enables the output compare function and clears the OCF*i* bit).

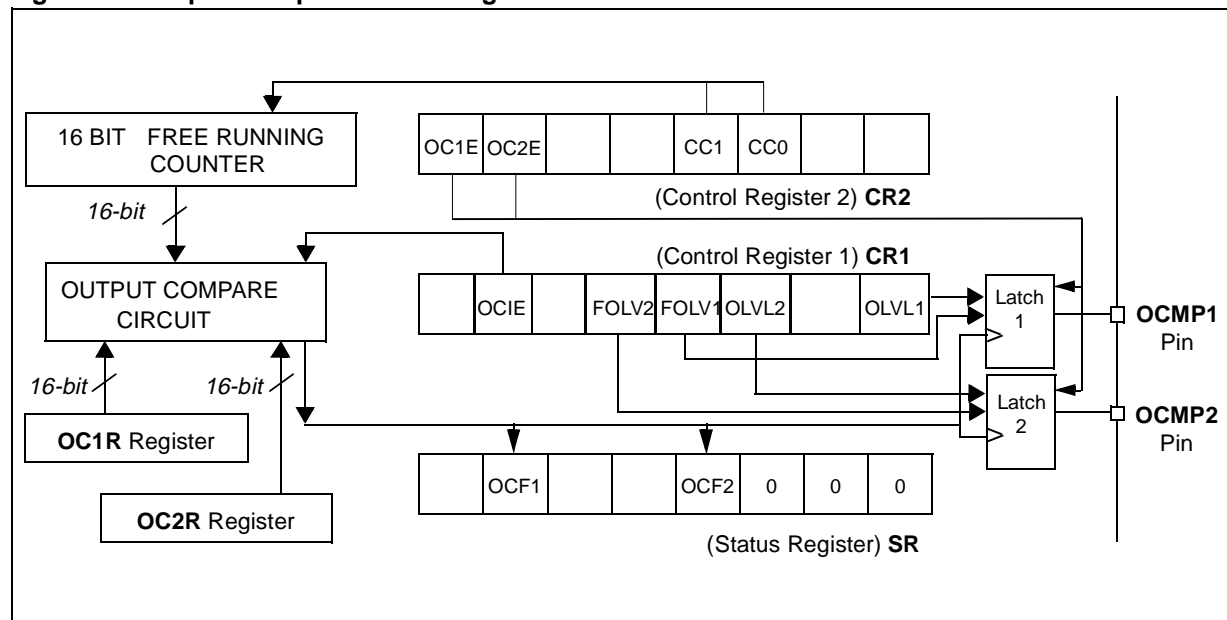
**16-BIT TIMER (Cont'd)****Notes:**

1. After a processor write cycle to the OC $i$ HR register, the output compare function is inhibited until the OC $i$ LR register is also written.
2. If the OC $i$ E bit is not set, the OCMP $i$  pin is a general I/O port and the OLVL $i$  bit will not appear when a match is found but an interrupt could be generated if the OC $i$ E bit is set.
3. When the timer clock is  $f_{CPU}/2$ , OC $F_i$  and OCMP $i$  are set while the counter value equals the OC $i$ R register value (see [Figure 31 on page 44](#)). This behaviour is the same in OPM or PWM mode.  
When the timer clock is  $f_{CPU}/4$ ,  $f_{CPU}/8$  or in external clock mode, OC $F_i$  and OCMP $i$  are set while the counter value equals the OC $i$ R register value plus 1 (see [Figure 32 on page 44](#)).
4. The output compare functions can be used both for generating external events on the OCMP $i$  pins even if the input capture mode is also used.
5. The value in the 16-bit OC $i$ R register and the OLVL $i$  bit should be changed after each successful comparison in order to control an output waveform or establish a new elapsed timeout.

**Forced Compare Output capability**

When the FOLV $i$  bit is set by software, the OLVL $i$  bit is copied to the OCMP $i$  pin. The OLVL $i$  bit has to be toggled in order to toggle the OCMP $i$  pin when it is enabled (OC $i$ E bit=1). The OC $F_i$  bit is then not set by hardware, and thus no interrupt request is generated.

The FOLVL $i$  bits have no effect in both one pulse mode and PWM mode.

**Figure 30. Output Compare Block Diagram**

16-BIT TIMER (Cont'd)

Figure 31. Output Compare Timing Diagram,  $f_{\text{TIMER}} = f_{\text{CPU}}/2$

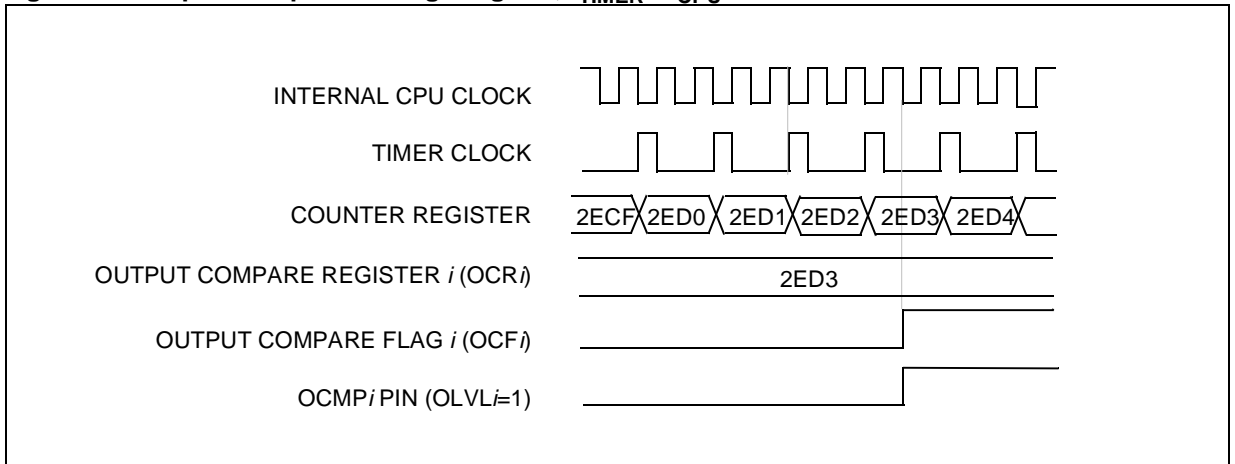
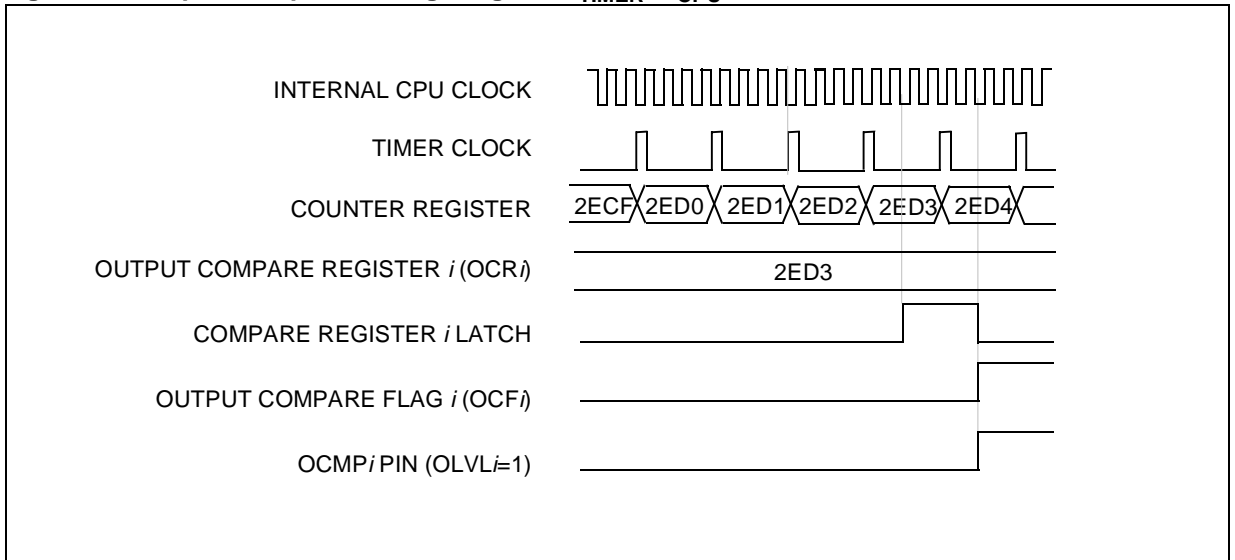


Figure 32. Output Compare Timing Diagram,  $f_{\text{TIMER}} = f_{\text{CPU}}/4$



## 16-BIT TIMER (Cont'd)

### 11.2.3.5 One Pulse Mode

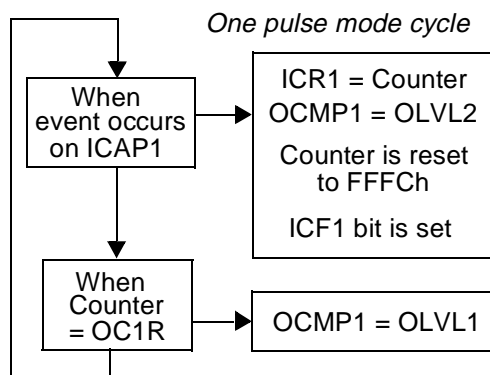
One Pulse mode enables the generation of a pulse when an external event occurs. This mode is selected via the OPM bit in the CR2 register.

The one pulse mode uses the Input Capture1 function and the Output Compare1 function.

#### Procedure:

To use one pulse mode:

1. Load the OC1R register with the value corresponding to the length of the pulse (see the formula in the opposite column).
2. Select the following in the CR1 register:
  - Using the OLVL1 bit, select the level to be applied to the OCMP1 pin after the pulse.
  - Using the OLVL2 bit, select the level to be applied to the OCMP1 pin during the pulse.
  - Select the edge of the active transition on the ICAP1 pin with the IEDG1 bit (the ICAP1 pin must be configured as floating input).
3. Select the following in the CR2 register:
  - Set the OC1E bit, the OCMP1 pin is then dedicated to the Output Compare 1 function.
  - Set the OPM bit.
  - Select the timer clock CC[1:0] (see [Table 16, "Clock Control Bits"](#)).



Then, on a valid event on the ICAP1 pin, the counter is initialized to FFFCh and OLVL2 bit is loaded on the OCMP1 pin, the ICF1 bit is set and the value FFFDh is loaded in the IC1R register.

Because the ICF1 bit is set when an active edge occurs, an interrupt can be generated if the ICIE bit is set.

Clearing the Input Capture interrupt request (i.e. clearing the ICF*i* bit) is done in two steps:

1. Reading the SR register while the ICF*i* bit is set.
2. An access (read or write) to the IC*i*LR register.

The OC1R register value required for a specific timing application can be calculated using the following formula:

$$\text{OC1R Value} = \frac{t * f_{\text{CPU}}}{\text{PRESC}} - 5$$

Where:

$t$  = Pulse period (in seconds)

$f_{\text{CPU}}$  = CPU clock frequency (in hertz)

PRESC = Timer prescaler factor (2, 4 or 8 depending on the CC[1:0] bits, see [Table 16, "Clock Control Bits"](#))

If the timer clock is an external clock the formula is:

$$\text{OC1R} = t * f_{\text{EXT}} - 5$$

Where:

$t$  = Pulse period (in seconds)

$f_{\text{EXT}}$  = External timer clock frequency (in hertz)

When the value of the counter is equal to the value of the contents of the OC1R register, the OLVL1 bit is output on the OCMP1 pin, (See [Figure 33](#)).

#### Notes:

1. The OCF1 bit cannot be set by hardware in one pulse mode but the OCF2 bit can generate an Output Compare interrupt.
2. When the Pulse Width Modulation (PWM) and One Pulse Mode (OPM) bits are both set, the PWM mode is the only active one.
3. If OLVL1=OLVL2 a continuous signal will be seen on the OCMP1 pin.
4. The ICAP1 pin can not be used to perform input capture. The ICAP2 pin can be used to perform input capture (ICF2 can be set and IC2R can be loaded) but the user must take care that the counter is reset each time a valid edge occurs on the ICAP1 pin and ICF1 can also generates interrupt if ICIE is set.
5. When one pulse mode is used OC1R is dedicated to this mode. Nevertheless OC2R and OCF2 can be used to indicate a period of time has been elapsed but cannot generate an output waveform because the level OLVL2 is dedicated to the one pulse mode.

16-BIT TIMER (Cont'd)

Figure 33. One Pulse Mode Timing Example

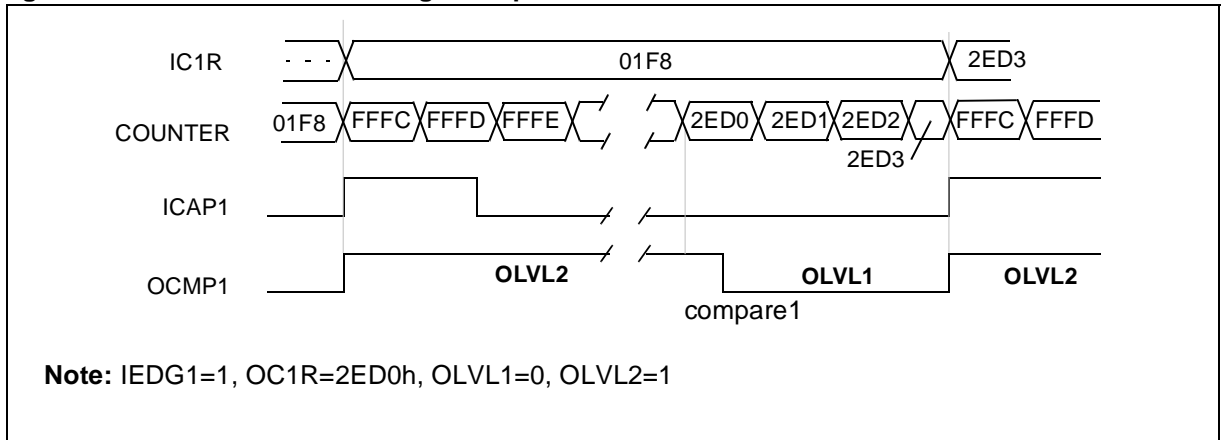
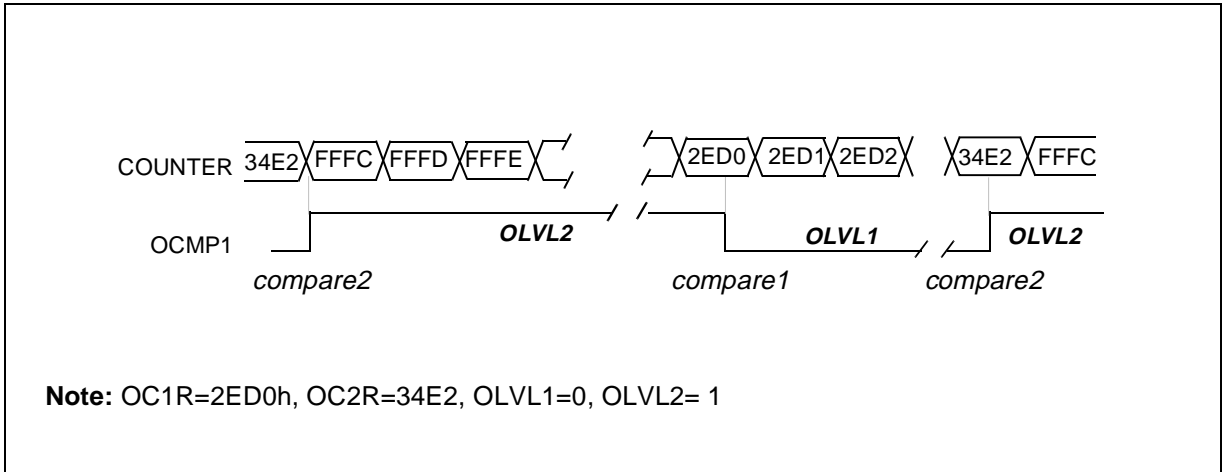


Figure 34. Pulse Width Modulation Mode Timing Example with 2 Output Compare Functions



**Note:** On timers with only 1 Output Compare register, a fixed frequency PWM signal can be generated using the output compare and the counter overflow to define the pulse length.

## 16-BIT TIMER (Cont'd)

### 11.2.3.6 Pulse Width Modulation Mode

Pulse Width Modulation (PWM) mode enables the generation of a signal with a frequency and pulse length determined by the value of the OC1R and OC2R registers.

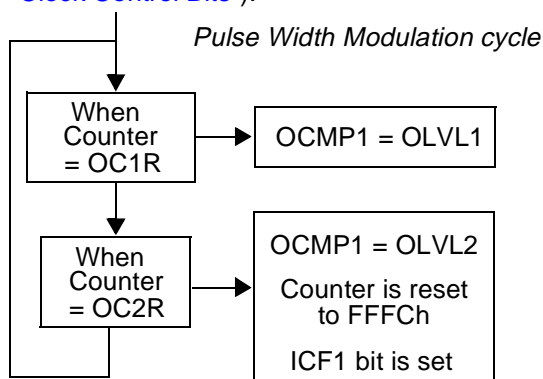
Pulse Width Modulation mode uses the complete Output Compare 1 function plus the OC2R register, and so this functionality can not be used when PWM mode is activated.

In PWM mode, double buffering is implemented on the output compare registers. Any new values written in the OC1R and OC2R registers are taken into account only at the end of the PWM period (OC2) to avoid spikes on the PWM output pin (OCMP1).

#### Procedure

To use pulse width modulation mode:

1. Load the OC2R register with the value corresponding to the period of the signal using the formula in the opposite column.
2. Load the OC1R register with the value corresponding to the period of the pulse if (OLVL1=0 and OLVL2=1) using the formula in the opposite column.
3. Select the following in the CR1 register:
  - Using the OLVL1 bit, select the level to be applied to the OCMP1 pin after a successful comparison with the OC1R register.
  - Using the OLVL2 bit, select the level to be applied to the OCMP1 pin after a successful comparison with the OC2R register.
4. Select the following in the CR2 register:
  - Set OC1E bit: the OCMP1 pin is then dedicated to the output compare 1 function.
  - Set the PWM bit.
  - Select the timer clock (CC[1:0]) (see Table 16, "Clock Control Bits").



If OLVL1=1 and OLVL2=0 the length of the positive pulse is the difference between the OC2R and OC1R registers.

If OLVL1=OLVL2 a continuous signal will be seen on the OCMP1 pin.

The OC*R* register value required for a specific timing application can be calculated using the following formula:

$$\text{OC}i\text{R Value} = \frac{t * f_{\text{CPU}}}{\text{PRESC}} - 5$$

Where:

$t$  = Signal or pulse period (in seconds)

$f_{\text{CPU}}$  = CPU clock frequency (in hertz)

PRESC = Timer prescaler factor (2, 4 or 8 depending on CC[1:0] bits, see Table 16, "Clock Control Bits")

If the timer clock is an external clock the formula is:

$$\text{OC}i\text{R} = t * f_{\text{EXT}} - 5$$

Where:

$t$  = Signal or pulse period (in seconds)

$f_{\text{EXT}}$  = External timer clock frequency (in hertz)

The Output Compare 2 event causes the counter to be initialized to FFFCh (See Figure 34)

#### Notes:

1. After a write instruction to the OC*HR* register, the output compare function is inhibited until the OC*LR* register is also written.
2. The OCF1 and OCF2 bits cannot be set by hardware in PWM mode therefore the Output Compare interrupt is inhibited.
3. The ICF1 bit is set by hardware when the counter reaches the OC2R value and can produce a timer interrupt if the ICIE bit is set and the I bit is cleared.
4. In PWM mode the ICAP1 pin can not be used to perform input capture because it is disconnected to the timer. The ICAP2 pin can be used to perform input capture (ICF2 can be set and IC2R can be loaded) but the user must take care that the counter is reset each period and ICF1 can also generates interrupt if ICIE is set.
5. When the Pulse Width Modulation (PWM) and One Pulse Mode (OPM) bits are both set, the PWM mode is the only active one.

## 16-BIT TIMER (Cont'd)

## 11.2.4 Low Power Modes

| Mode | Description  |
|------|--|
| WAIT | No effect on 16-bit Timer.<br>Timer interrupts cause the device to exit from WAIT mode.  |
| HALT | 16-bit Timer registers are frozen.<br>In HALT mode, the counter stops counting until Halt mode is exited. Counting resumes from the previous count when the MCU is woken up by an interrupt with "exit from HALT mode" capability or from the counter reset value when the MCU is woken up by a RESET.<br>If an input capture event occurs on the ICAP <i>i</i> pin, the input capture detection circuitry is armed. Consequently, when the MCU is woken up by an interrupt with "exit from HALT mode" capability, the ICF <i>i</i> bit is set, and the counter value present when exiting from HALT mode is captured into the IC <i>R</i> register. |

## 11.2.5 Interrupts

| Interrupt Event                                    | Event Flag | Enable Control Bit | Exit from Wait | Exit from Halt |
|--|------------|--------------------|----------------|----------------|
| Input Capture 1 event/Counter reset in PWM mode    | ICF1       | ICIE               | Yes            | No             |
| Input Capture 2 event                              | ICF2       |                    | Yes            | No             |
| Output Compare 1 event (not available in PWM mode) | OCF1       | OCIE               | Yes            | No             |
| Output Compare 2 event (not available in PWM mode) | OCF2       |                    | Yes            | No             |
| Timer Overflow event                               | TOF        | TOIE               | Yes            | No             |

**Note:** The 16-bit Timer interrupt events are connected to the same interrupt vector (see Interrupts chapter). These events generate an interrupt if the corresponding Enable Control Bit is set and the interrupt mask in the CC register is reset (RIM instruction).

## 11.2.6 Summary of Timer modes

| MODES                       | TIMER RESOURCES |                               |                  |                         |
|-----------------------------|-----------------|-------------------------------|------------------|-------------------------|
|                             | Input Capture 1 | Input Capture 2               | Output Compare 1 | Output Compare 2        |
| Input Capture (1 and/or 2)  | Yes             | Yes                           | Yes              | Yes                     |
| Output Compare (1 and/or 2) | Yes             | Yes                           | Yes              | Yes                     |
| One Pulse Mode              | No              | Not Recommended <sup>1)</sup> | No               | Partially <sup>2)</sup> |
| PWM Mode                    | No              | Not Recommended <sup>3)</sup> | No               | No                      |

1) See note 4 in [Section 11.2.3.5, "One Pulse Mode"](#)

2) See note 5 in [Section 11.2.3.5, "One Pulse Mode"](#)

3) See note 4 in [Section 11.2.3.6, "Pulse Width Modulation Mode"](#)



**16-BIT TIMER** (Cont'd)**11.2.7 Register Description**

Each Timer is associated with three control and status registers, and with six pairs of data registers (16-bit values) relating to the two input captures, the two output compares, the counter and the alternate counter.

**CONTROL REGISTER 1 (CR1)**

Read/Write

Reset Value: 0000 0000 (00h)

|      |      |      |       |       |       |       |       |
|------|------|------|-------|-------|-------|-------|-------|
| 7    |      |      |       |       |       |       | 0     |
| ICIE | OCIE | TOIE | FOLV2 | FOLV1 | OLVL2 | IEDG1 | OLVL1 |

Bit 7 = **ICIE** *Input Capture Interrupt Enable*.

0: Interrupt is inhibited.

1: A timer interrupt is generated whenever the ICF1 or ICF2 bit of the SR register is set.

Bit 6 = **OCIE** *Output Compare Interrupt Enable*.

0: Interrupt is inhibited.

1: A timer interrupt is generated whenever the OCF1 or OCF2 bit of the SR register is set.

Bit 5 = **TOIE** *Timer Overflow Interrupt Enable*.

0: Interrupt is inhibited.

1: A timer interrupt is enabled whenever the TOF bit of the SR register is set.

Bit 4 = **FOLV2** *Forced Output Compare 2*.

This bit is set and cleared by software.

0: No effect on the OCMP2 pin.

1: Forces the OLVL2 bit to be copied to the OCMP2 pin, if the OC2E bit is set and even if there is no successful comparison.

Bit 3 = **FOLV1** *Forced Output Compare 1*.

This bit is set and cleared by software.

0: No effect on the OCMP1 pin.

1: Forces OLVL1 to be copied to the OCMP1 pin, if the OC1E bit is set and even if there is no successful comparison.

Bit 2 = **OLVL2** *Output Level 2*.

This bit is copied to the OCMP2 pin whenever a successful comparison occurs with the OC2R register and OCxE is set in the CR2 register. This value is copied to the OCMP1 pin in One Pulse Mode and Pulse Width Modulation mode.

Bit 1 = **IEDG1** *Input Edge 1*.

This bit determines which type of level transition on the ICAP1 pin will trigger the capture.

0: A falling edge triggers the capture.

1: A rising edge triggers the capture.

Bit 0 = **OLVL1** *Output Level 1*.

The OLVL1 bit is copied to the OCMP1 pin whenever a successful comparison occurs with the OC1R register and the OC1E bit is set in the CR2 register.

**16-BIT TIMER** (Cont'd)

**CONTROL REGISTER 2 (CR2)**

Read/Write

Reset Value: 0000 0000 (00h)

|      |      |     |     |     |     |       |       |
|------|------|-----|-----|-----|-----|-------|-------|
| 7    |      |     |     |     |     |       | 0     |
| OC1E | OC2E | OPM | PWM | CC1 | CC0 | IEDG2 | EXEDG |

Bit 7 = **OC1E** *Output Compare 1 Pin Enable*.  
 This bit is used only to output the signal from the timer on the OCMP1 pin (OLV1 in Output Compare mode, both OLV1 and OLV2 in PWM and one-pulse mode). Whatever the value of the OC1E bit, the Output Compare 1 function of the timer remains active.  
 0: OCMP1 pin alternate function disabled (I/O pin free for general-purpose I/O).  
 1: OCMP1 pin alternate function enabled.

Bit 6 = **OC2E** *Output Compare 2 Pin Enable*.  
 This bit is used only to output the signal from the timer on the OCMP2 pin (OLV2 in Output Compare mode). Whatever the value of the OC2E bit, the Output Compare 2 function of the timer remains active.  
 0: OCMP2 pin alternate function disabled (I/O pin free for general-purpose I/O).  
 1: OCMP2 pin alternate function enabled.

Bit 5 = **OPM** *One Pulse Mode*.  
 0: One Pulse Mode is not active.  
 1: One Pulse Mode is active, the ICAP1 pin can be used to trigger one pulse on the OCMP1 pin; the active transition is given by the IEDG1 bit. The length of the generated pulse depends on the contents of the OC1R register.

Bit 4 = **PWM** *Pulse Width Modulation*.  
 0: PWM mode is not active.  
 1: PWM mode is active, the OCMP1 pin outputs a programmable cyclic signal; the length of the pulse depends on the value of OC1R register; the period depends on the value of OC2R register.

Bit 3, 2 = **CC[1:0]** *Clock Control*.  
 The timer clock mode depends on these bits:

**Table 16. Clock Control Bits**

| Timer Clock                      | CC1 | CC0 |
|----------------------------------|-----|-----|
| $f_{CPU} / 4$                    | 0   | 0   |
| $f_{CPU} / 2$                    | 0   | 1   |
| $f_{CPU} / 8$                    | 1   | 0   |
| External Clock (where available) | 1   | 1   |

**Note:** If the external clock pin is not available, programming the external clock configuration stops the counter.

Bit 1 = **IEDG2** *Input Edge 2*.  
 This bit determines which type of level transition on the ICAP2 pin will trigger the capture.  
 0: A falling edge triggers the capture.  
 1: A rising edge triggers the capture.

Bit 0 = **EXEDG** *External Clock Edge*.  
 This bit determines which type of level transition on the external clock pin EXTCLK will trigger the counter register.  
 0: A falling edge triggers the counter register.  
 1: A rising edge triggers the counter register.

**16-BIT TIMER** (Cont'd)**CONTROL/STATUS REGISTER (CSR)**

Read Only (except bit 2 R/W)

Reset Value: xxxx x0xx (xxh)

|      |      |     |      |      |      |   |   |
|------|------|-----|------|------|------|---|---|
| 7    |      |     |      |      |      |   | 0 |
| ICF1 | OCF1 | TOF | ICF2 | OCF2 | TIMD | 0 | 0 |

Bit 7 = **ICF1** *Input Capture Flag 1*.

0: No input capture (reset value).

1: An input capture has occurred on the ICAP1 pin or the counter has reached the OC2R value in PWM mode. To clear this bit, first read the SR register, then read or write the low byte of the IC1R (IC1LR) register.

Bit 6 = **OCF1** *Output Compare Flag 1*.

0: No match (reset value).

1: The content of the free running counter has matched the content of the OC1R register. To clear this bit, first read the SR register, then read or write the low byte of the OC1R (OC1LR) register.

Bit 5 = **TOF** *Timer Overflow Flag*.

0: No timer overflow (reset value).

1: The free running counter rolled over from FFFFh to 0000h. To clear this bit, first read the SR register, then read or write the low byte of the CR (CLR) register.

**Note:** Reading or writing the ACLR register does not clear TOF.Bit 4 = **ICF2** *Input Capture Flag 2*.

0: No input capture (reset value).

1: An input capture has occurred on the ICAP2 pin. To clear this bit, first read the SR register, then read or write the low byte of the IC2R (IC2LR) register.

Bit 3 = **OCF2** *Output Compare Flag 2*.

0: No match (reset value).

1: The content of the free running counter has matched the content of the OC2R register. To clear this bit, first read the SR register, then read or write the low byte of the OC2R (OC2LR) register.

Bit 2 = **TIMD** *Timer disable*.

This bit is set and cleared by software. When set, it freezes the timer prescaler and counter and disabled the output functions (OCMP1 and OCMP2 pins) to reduce power consumption. Access to the timer registers is still available, allowing the timer configuration to be changed, or the counter reset, while it is disabled.

0: Timer enabled

1: Timer prescaler, counter and outputs disabled

Bits 1:0 = Reserved, must be kept cleared.

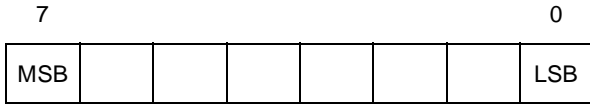
**16-BIT TIMER (Cont'd)**

**INPUT CAPTURE 1 HIGH REGISTER (IC1HR)**

Read Only

Reset Value: Undefined

This is an 8-bit read only register that contains the high part of the counter value (transferred by the input capture 1 event).



**INPUT CAPTURE 1 LOW REGISTER (IC1LR)**

Read Only

Reset Value: Undefined

This is an 8-bit read only register that contains the low part of the counter value (transferred by the input capture 1 event).

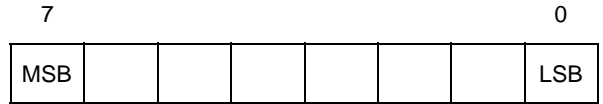


**OUTPUT COMPARE 1 HIGH REGISTER (OC1HR)**

Read/Write

Reset Value: 1000 0000 (80h)

This is an 8-bit register that contains the high part of the value to be compared to the CHR register.

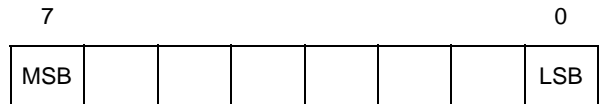


**OUTPUT COMPARE 1 LOW REGISTER (OC1LR)**

Read/Write

Reset Value: 0000 0000 (00h)

This is an 8-bit register that contains the low part of the value to be compared to the CLR register.



**16-BIT TIMER (Cont'd)****OUTPUT COMPARE 2 HIGH REGISTER (OC2HR)**

Read/Write

Reset Value: 1000 0000 (80h)

This is an 8-bit register that contains the high part of the value to be compared to the CHR register.

**OUTPUT COMPARE 2 LOW REGISTER (OC2LR)**

Read/Write

Reset Value: 0000 0000 (00h)

This is an 8-bit register that contains the low part of the value to be compared to the CLR register.

**COUNTER HIGH REGISTER (CHR)**

Read Only

Reset Value: 1111 1111 (FFh)

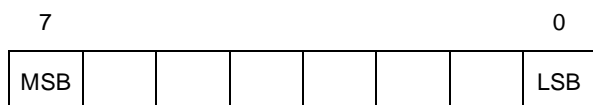
This is an 8-bit register that contains the high part of the counter value.

**COUNTER LOW REGISTER (CLR)**

Read Only

Reset Value: 1111 1100 (FCh)

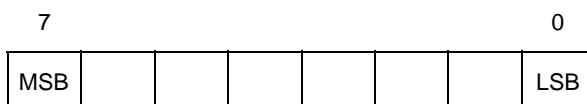
This is an 8-bit register that contains the low part of the counter value. A write to this register resets the counter. An access to this register after accessing the CSR register clears the TOF bit.

**ALTERNATE COUNTER HIGH REGISTER (ACHR)**

Read Only

Reset Value: 1111 1111 (FFh)

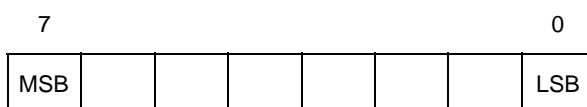
This is an 8-bit register that contains the high part of the counter value.

**ALTERNATE COUNTER LOW REGISTER (ACLRL)**

Read Only

Reset Value: 1111 1100 (FCh)

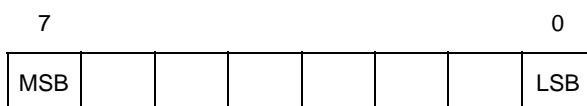
This is an 8-bit register that contains the low part of the counter value. A write to this register resets the counter. An access to this register after an access to CSR register does not clear the TOF bit in the CSR register.

**INPUT CAPTURE 2 HIGH REGISTER (IC2HR)**

Read Only

Reset Value: Undefined

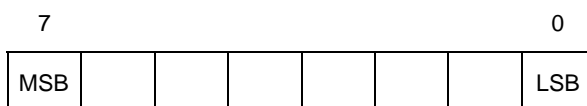
This is an 8-bit read only register that contains the high part of the counter value (transferred by the Input Capture 2 event).

**INPUT CAPTURE 2 LOW REGISTER (IC2LR)**

Read Only

Reset Value: Undefined

This is an 8-bit read only register that contains the low part of the counter value (transferred by the Input Capture 2 event).



## 16-BIT TIMER (Cont'd)

Table 17. 16-Bit Timer Register Map and Reset Values

| Address (Hex.) | Register Label              | 7         | 6         | 5         | 4          | 3          | 2          | 1          | 0          |
|----------------|-----------------------------|-----------|-----------|-----------|------------|------------|------------|------------|------------|
| 11             | <b>CR2</b><br>Reset Value   | OC1E<br>0 | OC2E<br>0 | OPM<br>0  | PWM<br>0   | CC1<br>0   | CC0<br>0   | IEDG2<br>0 | EXEDG<br>0 |
| 12             | <b>CR1</b><br>Reset Value   | ICIE<br>0 | OCIE<br>0 | TOIE<br>0 | FOLV2<br>0 | FOLV1<br>0 | OLVL2<br>0 | IEDG1<br>0 | OLVL1<br>0 |
| 13             | <b>SR</b><br>Reset Value    | ICF1<br>0 | OCF1<br>0 | TOF<br>0  | ICF2<br>0  | OCF2<br>0  | TIMD<br>0  | 0<br>0     | 0<br>0     |
| 14             | <b>IC1HR</b><br>Reset Value | MSB       |           |           |            |            |            |            | LSB        |
| 15             | <b>IC1LR</b><br>Reset Value | MSB       |           |           |            |            |            |            | LSB        |
| 16             | <b>OC1HR</b><br>Reset Value | MSB<br>1  | -<br>0    | -<br>0    | -<br>0     | -<br>0     | -<br>0     | -<br>0     | LSB<br>0   |
| 17             | <b>OC1LR</b><br>Reset Value | MSB<br>0  | -<br>0    | -<br>0    | -<br>0     | -<br>0     | -<br>0     | -<br>0     | LSB<br>0   |
| 18             | <b>CHR</b><br>Reset Value   | MSB<br>1  | -<br>1    | -<br>1    | -<br>1     | -<br>1     | -<br>1     | -<br>1     | LSB<br>1   |
| 19             | <b>CLR</b><br>Reset Value   | MSB<br>1  | -<br>1    | -<br>1    | -<br>1     | -<br>1     | -<br>1     | -<br>0     | LSB<br>0   |
| 1A             | <b>ACHR</b><br>Reset Value  | MSB<br>1  | -<br>1    | -<br>1    | -<br>1     | -<br>1     | -<br>1     | -<br>1     | LSB<br>1   |
| 1B             | <b>ACL</b><br>Reset Value   | MSB<br>1  | -<br>1    | -<br>1    | -<br>1     | -<br>1     | -<br>1     | -<br>0     | LSB<br>0   |
| 1C             | <b>IC2HR</b><br>Reset Value | MSB       |           |           |            |            |            |            | LSB        |
| 1D             | <b>IC2LR</b><br>Reset Value | MSB       |           |           |            |            |            |            | LSB        |
| 1E             | <b>OC2HR</b><br>Reset Value | MSB<br>1  | -<br>0    | -<br>0    | -<br>0     | -<br>0     | -<br>0     | -<br>0     | LSB<br>0   |
| 1F             | <b>OC2LR</b><br>Reset Value | MSB<br>0  | -<br>0    | -<br>0    | -<br>0     | -<br>0     | -<br>0     | -<br>0     | LSB<br>0   |

## 11.3 SERIAL COMMUNICATIONS INTERFACE (SCI)

### 11.3.1 Introduction

The Serial Communications Interface (SCI) offers a flexible means of full-duplex data exchange with external equipment requiring an industry standard NRZ asynchronous serial data format.

### 11.3.2 Main Features

- Full duplex, asynchronous communications
- NRZ standard format (Mark/Space)
- Independently programmable transmit and receive baud rates up to 250K baud.
- Programmable data word length (8 or 9 bits)
- Receive buffer full, Transmit buffer empty and End of Transmission flags
- Two receiver wake-up modes:
  - Address bit (MSB)
  - Idle line
- Muting function for multiprocessor configurations
- Separate enable bits for Transmitter and Receiver
- Four error detection flags:
  - Overrun error
  - Noise error
  - Frame error
  - Parity error
- Five interrupt sources with flags:
  - Transmit data register empty
  - Transmission complete
  - Receive data register full
  - Idle line received
  - Overrun error detected
- Parity control:
  - Transmits parity bit
  - Checks parity of received data byte
- Reduced power consumption mode

### 11.3.3 General Description

The interface is externally connected to another device by two pins (see [Figure 36](#)):

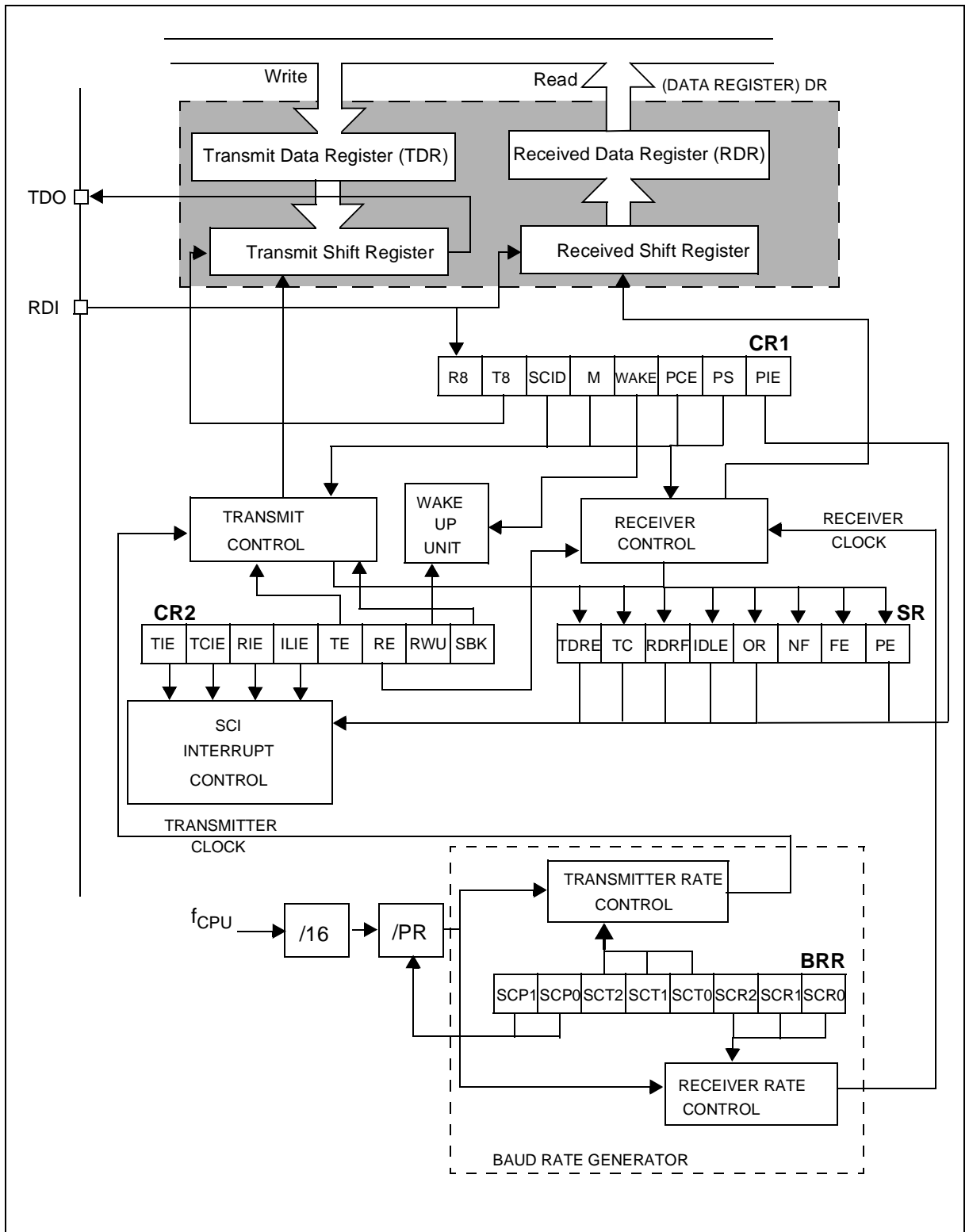
- TDO: Transmit Data Output. When the transmitter and the receiver are disabled, the output pin returns to its I/O port configuration. When the transmitter is enabled and nothing is to be transmitted, the TDO pin is at high level.
- RDI: Receive Data Input is the serial data input. Oversampling techniques are used for data recovery by discriminating between valid incoming data and noise.

Through these pins, serial data is transmitted and received as frames comprising:

- An Idle Line prior to transmission or reception
- A start bit
- A data word (8 or 9 bits) least significant bit first
- A Stop bit indicating that the frame is complete.

SERIAL COMMUNICATIONS INTERFACE (Cont'd)

Figure 35. SCI Block Diagram





**SERIAL COMMUNICATIONS INTERFACE (Cont'd)****11.3.4 Functional Description**

The block diagram of the Serial Control Interface, is shown in [Figure 35](#). It contains 6 dedicated registers:

- Two control registers (SCICR1 & SCICR2)
- A status register (SCISR)
- A baud rate register (SCIBRR)

Refer to the register descriptions in [Section 11.3.7](#) for the definitions of each bit.

**11.3.4.1 Serial Data Format**

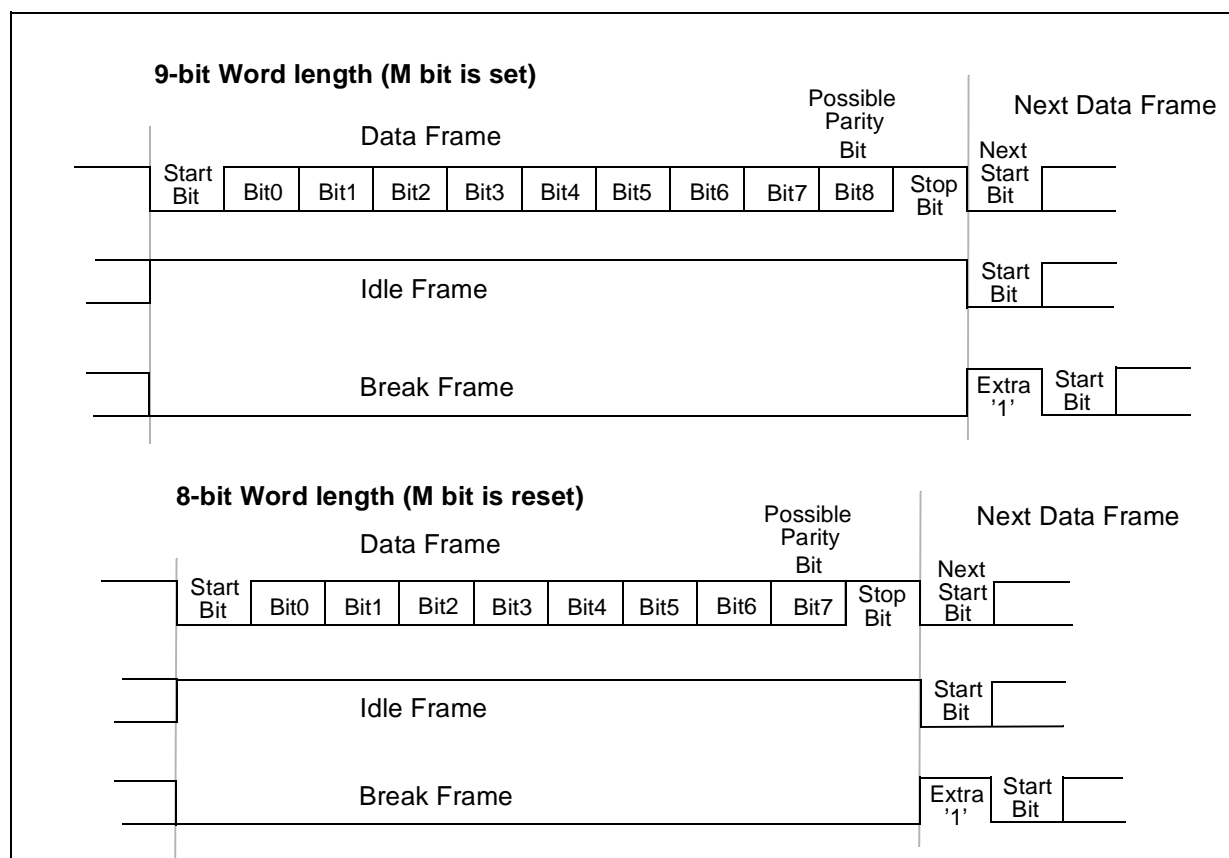
Word length may be selected as being either 8 or 9 bits by programming the M bit in the SCICR1 register (see [Figure 35](#)).

The TDO pin is in low state during the start bit.

The TDO pin is in high state during the stop bit.

An Idle character is interpreted as an entire frame of “1”s followed by the start bit of the next frame which contains data.

A Break character is interpreted on receiving “0”s for some multiple of the frame period. At the end of the last break frame the transmitter inserts an extra “1” bit to acknowledge the start bit.

**Figure 36. Word Length Programming**

**SERIAL COMMUNICATIONS INTERFACE (Cont'd)****11.3.4.2 Transmitter**

The transmitter can send data words of either 8 or 9 bits depending on the M bit status. When the M bit is set, word length is 9 bits and the 9th bit (the MSB) has to be stored in the T8 bit in the SCICR1 register.

**Character Transmission**

During an SCI transmission, data shifts out least significant bit first on the TDO pin. In this mode, the SCIDR register consists of a buffer (TDR) between the internal bus and the transmit shift register (see [Figure 35](#)).

**Procedure**

- Select the M bit to define the word length.
- Select the desired baud rate using the SCIBRR register.
- Set the TE bit to assign the TDO pin to the alternate function and to send a idle frame as first transmission.
- Access the SCISR register and write the data to send in the SCIDR register (this sequence clears the TDRE bit). Repeat this sequence for each data to be transmitted.

Clearing the TDRE bit is always performed by the following software sequence:

1. An access to the SCISR register
2. A write to the SCIDR register

The TDRE bit is set by hardware and it indicates:

- The TDR register is empty.
- The data transfer is beginning.
- The next data can be written in the SCIDR register without overwriting the previous data.

This flag generates an interrupt if the TIE bit is set and the I bit is cleared in the CCR register.

When a transmission is taking place, a write instruction to the SCIDR register stores the data in the TDR register and which is copied in the shift register at the end of the current transmission.

When no transmission is taking place, a write instruction to the SCIDR register places the data directly in the shift register, the data transmission starts, and the TDRE bit is immediately set.

When a frame transmission is complete (after the stop bit or after the break frame) the TC bit is set and an interrupt is generated if the TCIE is set and the I bit is cleared in the CCR register.

Clearing the TC bit is performed by the following software sequence:

1. An access to the SCISR register
2. A write to the SCIDR register

**Note:** The TDRE and TC bits are cleared by the same software sequence.

**Break Characters**

Setting the SBK bit loads the shift register with a break character. The break frame length depends on the M bit (see [Figure 36](#)).

As long as the SBK bit is set, the SCI send break frames to the TDO pin. After clearing this bit by software the SCI insert a logic 1 bit at the end of the last break frame to guarantee the recognition of the start bit of the next frame.

**Idle Characters**

Setting the TE bit drives the SCI to send an idle frame before the first data frame.

Clearing and then setting the TE bit during a transmission sends an idle frame after the current word.

**Note:** Resetting and setting the TE bit causes the data in the TDR register to be lost. Therefore the best time to toggle the TE bit is when the TDRE bit is set i.e. before writing the next byte in the SCIDR.

## SERIAL COMMUNICATIONS INTERFACE (Cont'd)

### 11.3.4.3 Receiver

The SCI can receive data words of either 8 or 9 bits. When the M bit is set, word length is 9 bits and the MSB is stored in the R8 bit in the SCICR1 register.

#### Character Reception

During a SCI reception, data shifts in least significant bit first through the RDI pin. In this mode, the SCIDR register consists of a buffer (RDR) between the internal bus and the received shift register (see [Figure 35](#)).

#### Procedure

- Select the M bit to define the word length.
- Select the desired baud rate using the SCIBRR register.
- Set the RE bit, this enables the receiver which begins searching for a start bit.

When a character is received:

- The RDRF bit is set. It indicates that the content of the shift register is transferred to the RDR.
- An interrupt is generated if the RIE bit is set and the I bit is cleared in the CCR register.
- The error flags can be set if a frame error, noise or an overrun error has been detected during reception.

Clearing the RDRF bit is performed by the following software sequence done by:

1. An access to the SCISR register
2. A read to the SCIDR register.

The RDRF bit must be cleared before the end of the reception of the next character to avoid an overrun error.

#### Break Character

When a break character is received, the SPI handles it as a framing error.

#### Idle Character

When an idle frame is detected, there is the same procedure as a data received character plus an interrupt if the ILIE bit is set and the I bit is cleared in the CCR register.

#### Overrun Error

An overrun error occurs when a character is received when RDRF has not been reset. Data can not be transferred from the shift register to the RDR register as long as the RDRF bit is not cleared.

When an overrun error occurs:

- The OR bit is set.
- The RDR content will not be lost.
- The shift register will be overwritten.
- An interrupt is generated if the RIE bit is set and the I bit is cleared in the CCR register.

The OR bit is reset by an access to the SCISR register followed by a SCIDR register read operation.

#### Noise Error

Oversampling techniques are used for data recovery by discriminating between valid incoming data and noise.

When noise is detected in a frame:

- The NF is set at the rising edge of the RDRF bit.
- Data is transferred from the Shift register to the SCIDR register.
- No interrupt is generated. However this bit rises at the same time as the RDRF bit which itself generates an interrupt.

The NF bit is reset by a SCISR register read operation followed by a SCIDR register read operation.

#### Framing Error

A framing error is detected when:

- The stop bit is not recognized on reception at the expected time, following either a de-synchronization or excessive noise.
- A break is received.

When the framing error is detected:

- the FE bit is set by hardware
- Data is transferred from the Shift register to the SCIDR register.
- No interrupt is generated. However this bit rises at the same time as the RDRF bit which itself generates an interrupt.

The FE bit is reset by a SCISR register read operation followed by a SCIDR register read operation.

**SERIAL COMMUNICATIONS INTERFACE (Cont'd)****11.3.4.4 Baud Rate Generation**

The baud rate for the receiver and transmitter (Rx and Tx) are set independently and calculated as follows:

$$Tx = \frac{f_{CPU}}{(16 \cdot PR) \cdot TR} \quad Rx = \frac{f_{CPU}}{(16 \cdot PR) \cdot RR}$$

with:

PR = 1, 3, 4 or 13 (see SCP[1:0] bits)

TR = 1, 2, 4, 8, 16, 32, 64, 128

(see SCT[2:0] bits)

RR = 1, 2, 4, 8, 16, 32, 64, 128

(see SCR[2:0] bits)

All these bits are in the SCIBRR register.

**Example:** If  $f_{CPU}$  is 8 MHz (normal mode) and if PR=13 and TR=RR=1, the transmit and receive baud rates are 38400 baud.

**Note:** The baud rate registers MUST NOT be changed while the transmitter or the receiver is enabled.

**11.3.4.5 Receiver Muting and Wake-up Feature**

In multiprocessor configurations it is often desirable that only the intended message recipient should actively receive the full message contents, thus reducing redundant SCI service overhead for all non addressed receivers.

The non addressed devices may be placed in sleep mode by means of the muting function.

Setting the RWU bit by software puts the SCI in Sleep mode:

All the reception status bits can not be set.

All the receive interrupts are inhibited.

A muted receiver may be awakened by one of the following two ways:

- by Idle Line detection if the WAKE bit is reset,
- by Address Mark detection if the WAKE bit is set.

Receiver wakes-up by Idle Line detection when the Receive line has recognised an Idle Frame. Then the RWU bit is reset by hardware but the IDLE bit is not set.

Receiver wakes-up by Address Mark detection when it received a "1" as the most significant bit of a word, thus indicating that the message is an address. The reception of this particular word wakes up the receiver, resets the RWU bit and sets the RDRF bit, which allows the receiver to receive this word normally and to use it as an address word.

**Caution:** In Mute mode, do not write to the SCICR2 register. If the SCI is in Mute mode during the read operation (RWU=1) and a address mark wake up event occurs (RWU is reset) before the write operation, the RWU bit will be set again by this write operation. Consequently the address byte is lost and the SCI is not woken up from Mute mode.

**SERIAL COMMUNICATIONS INTERFACE (Cont'd)****11.3.4.6 Parity Control**

Parity control (generation of parity bit in transmission and parity checking in reception) can be enabled by setting the PCE bit in the SCICR1 register. Depending on the frame length defined by the M bit, the possible SCI frame formats are as listed in Table 18.

**Table 18. Frame Formats**

| M bit | PCE bit | SCI Frame                  |
|-------|---------|----------------------------|
| 0     | 0       | SB   8 bit data   STB      |
| 0     | 1       | SB   7-bit data   PB   STB |
| 1     | 0       | SB   9-bit data   STB      |
| 1     | 1       | SB   8-bit data PB   STB   |

**Legend:** SB = Start Bit, STB = Stop Bit, PB = Parity Bit

**Note:** In case of wake up by an address mark, the MSB bit of the data is taken into account and not the parity bit

**Even parity:** the parity bit is calculated to obtain an even number of “1s” inside the frame made of the 7 or 8 LSB bits (depending on whether M is equal to 0 or 1) and the parity bit.

Ex: data=00110101; 4 bits set => parity bit will be 0 if even parity is selected (PS bit = 0).

**Odd parity:** the parity bit is calculated to obtain an odd number of “1s” inside the frame made of the 7 or 8 LSB bits (depending on whether M is equal to 0 or 1) and the parity bit.

Ex: data=00110101; 4 bits set => parity bit will be 1 if odd parity is selected (PS bit = 1).

**Transmission mode:** If the PCE bit is set then the MSB bit of the data written in the data register is not transmitted but is changed by the parity bit.

**Reception mode:** If the PCE bit is set then the interface checks if the received data byte has an even number of “1s” if even parity is selected

(PS=0) or an odd number of “1s” if odd parity is selected (PS=1). If the parity check fails, the PE flag is set in the SCISR register and an interrupt is generated if PIE is set in the SCICR1 register.

**11.3.5 Low Power Modes**

| Mode | Description  |
|------|--|
| WAIT | No effect on SCI.<br>SCI interrupts cause the device to exit from Wait mode.                               |
| HALT | SCI registers are frozen.<br>In Halt mode, the SCI stops transmitting/receiving until Halt mode is exited. |

**11.3.6 Interrupts**

| Interrupt Event                | Event Flag | Enable Control Bit | Exit from Wait | Exit from Halt |
|--------------------------------|------------|--------------------|----------------|----------------|
| Transmit Data Register Empty   | TDRE       | TIE                | Yes            | No             |
| Transmission Complete          | TC         | TCIE               | Yes            | No             |
| Received Data Ready to be Read | RDRF       | RIE                | Yes            | No             |
| Overrun Error Detected         | OR         |                    | Yes            | No             |
| Idle Line Detected             | IDLE       | ILIE               | Yes            | No             |
| Parity Error                   | PE         | PIE                | Yes            | No             |

The SCI interrupt events are connected to the same interrupt vector.

These events generate an interrupt if the corresponding Enable Control Bit is set and the interrupt mask in the CC register is reset (RIM instruction).

**SERIAL COMMUNICATIONS INTERFACE (Cont'd)****11.3.7 Register Description****STATUS REGISTER (SCISR)**

Read Only

Reset Value: 1100 0000 (C0h)

|      |    |      |      |    |    |    |    |
|------|----|------|------|----|----|----|----|
| 7    |    |      |      |    |    |    | 0  |
| TDRE | TC | RDRF | IDLE | OR | NF | FE | PE |

**Bit 7 = TDRE** *Transmit data register empty.*

This bit is set by hardware when the content of the TDR register has been transferred into the shift register. An interrupt is generated if the TIE bit=1 in the SCICR2 register. It is cleared by a software sequence (an access to the SCISR register followed by a write to the SCIDR register).

0: Data is not transferred to the shift register

1: Data is transferred to the shift register

**Note:** Data will not be transferred to the shift register unless the TDRE bit is cleared.**Bit 6 = TC** *Transmission complete.*

This bit is set by hardware when transmission of a frame containing Data, a Preamble or a Break is complete. An interrupt is generated if TCIE=1 in the SCICR2 register. It is cleared by a software sequence (an access to the SCISR register followed by a write to the SCIDR register).

0: Transmission is not complete

1: Transmission is complete

**Bit 5 = RDRF** *Received data ready flag.*

This bit is set by hardware when the content of the RDR register has been transferred to the SCIDR register. An interrupt is generated if RIE=1 in the SCICR2 register. It is cleared by a software sequence (an access to the SCISR register followed by a read to the SCIDR register).

0: Data is not received

1: Received data is ready to be read

**Bit 4 = IDLE** *Idle line detect.*

This bit is set by hardware when an Idle Line is detected. An interrupt is generated if the ILIE=1 in the SCICR2 register. It is cleared by a software sequence (an access to the SCISR register followed by a read to the SCIDR register).

0: No Idle Line is detected

1: Idle Line is detected

**Note:** The IDLE bit will not be set again until the RDRF bit has been set itself (i.e. a new idle line oc-

curs). This bit is not set by an idle line when the receiver wakes up from wake-up mode.

**Bit 3 = OR** *Overrun error.*

This bit is set by hardware when the word currently being received in the shift register is ready to be transferred into the RDR register while RDRF=1. An interrupt is generated if RIE=1 in the SCICR2 register. It is cleared by a software sequence (an access to the SCISR register followed by a read to the SCIDR register).

0: No Overrun error

1: Overrun error is detected

**Note:** When this bit is set RDR register content will not be lost but the shift register will be overwritten.**Bit 2 = NF** *Noise flag.*

This bit is set by hardware when noise is detected on a received frame. It is cleared by a software sequence (an access to the SCISR register followed by a read to the SCIDR register).

0: No noise is detected

1: Noise is detected

**Note:** This bit does not generate interrupt as it appears at the same time as the RDRF bit which itself generates an interrupt.**Bit 1 = FE** *Framing error.*

This bit is set by hardware when a de-synchronization, excessive noise or a break character is detected. It is cleared by a software sequence (an access to the SCISR register followed by a read to the SCIDR register).

0: No Framing error is detected

1: Framing error or break character is detected

**Note:** This bit does not generate interrupt as it appears at the same time as the RDRF bit which itself generates an interrupt. If the word currently being transferred causes both frame error and overrun error, it will be transferred and only the OR bit will be set.**Bit 0 = PE** *Parity error.*

This bit is set by hardware when a parity error occurs in receiver mode. It is cleared by a software sequence (a read to the status register followed by an access to the SCIDR data register). An interrupt is generated if PIE=1 in the SCICR1 register.

0: No parity error

1: Parity error

**SERIAL COMMUNICATIONS INTERFACE (Cont'd)****CONTROL REGISTER 1 (SCICR1)**

Read/Write

Reset Value: x000 0000 (x0h)

|    |    |      |   |      |     |    |     |
|----|----|------|---|------|-----|----|-----|
| 7  |    |      |   |      |     |    | 0   |
| R8 | T8 | SCID | M | WAKE | PCE | PS | PIE |

**Bit 7 = R8 Receive data bit 8.**

This bit is used to store the 9th bit of the received word when M=1.

**Bit 6 = T8 Transmit data bit 8.**

This bit is used to store the 9th bit of the transmitted word when M=1.

**Bit 5 = SCID Disabled for low power consumption**

When this bit is set the SCI prescalers and outputs are stopped and the end of the current byte transfer in order to reduce power consumption. This bit is set and cleared by software.

0: SCI enabled

1: SCI prescaler and outputs disabled

**Bit 4 = M Word length.**

This bit determines the word length. It is set or cleared by software.

0: 1 Start bit, 8 Data bits, 1 Stop bit

1: 1 Start bit, 9 Data bits, 1 Stop bit

**Note:** The M bit must not be modified during a data transfer (both transmission and reception).**Bit 3 = WAKE Wake-Up method.**

This bit determines the SCI Wake-Up method, it is set or cleared by software.

0: Idle Line

1: Address Mark

**Bit 2 = PCE Parity control enable.**

This bit selects the hardware parity control (generation and detection). When the parity control is enabled, the computed parity is inserted at the MSB position (9th bit if M=1; 8th bit if M=0) and parity is checked on the received data. This bit is set and cleared by software. Once it is set, PCE is active after the current byte (in reception and in transmission).

0: Parity control disabled

1: Parity control enabled

**Bit 1 = PS Parity selection.**

This bit selects the odd or even parity when the parity generation/detection is enabled (PCE bit set). It is set and cleared by software. The parity will be selected after the current byte.

0: Even parity

1: Odd parity

**Bit 0 = PIE Parity interrupt enable.**

This bit enables the interrupt capability of the hardware parity control when a parity error is detected (PE bit set). It is set and cleared by software.

0: Parity error interrupt disabled

1: Parity error interrupt enabled.

**SERIAL COMMUNICATIONS INTERFACE (Cont'd)**

**CONTROL REGISTER 2 (SCICR2)**

Read/Write

Reset Value: 0000 0000 (00h)

|     |      |     |      |    |    |     |     |
|-----|------|-----|------|----|----|-----|-----|
| 7   |      |     |      |    |    |     | 0   |
| TIE | TCIE | RIE | ILIE | TE | RE | RWU | SBK |

Bit 7 = **TIE** *Transmitter interrupt enable.*  
 This bit is set and cleared by software.  
 0: Interrupt is inhibited  
 1: An SCI interrupt is generated whenever TDRE=1 in the SCISR register

Bit 6 = **TCIE** *Transmission complete interrupt enable*  
 This bit is set and cleared by software.  
 0: Interrupt is inhibited  
 1: An SCI interrupt is generated whenever TC=1 in the SCISR register

Bit 5 = **RIE** *Receiver interrupt enable.*  
 This bit is set and cleared by software.  
 0: Interrupt is inhibited  
 1: An SCI interrupt is generated whenever OR=1 or RDRF=1 in the SCISR register

Bit 4 = **ILIE** *Idle line interrupt enable.*  
 This bit is set and cleared by software.  
 0: Interrupt is inhibited  
 1: An SCI interrupt is generated whenever IDLE=1 in the SCISR register.

Bit 3 = **TE** *Transmitter enable.*  
 This bit enables the transmitter and assigns the TDO pin to the alternate function. It is set and cleared by software.

0: Transmitter is disabled  
 1: Transmitter is enabled

**Note:** During transmission, a “0” pulse on the TE bit (“0” followed by “1”) sends a preamble after the current word.

**Caution:** The TDO pin is free for general purpose I/O only when the TE and RE bits are both cleared (or if TE is never set).

Bit 2 = **RE** *Receiver enable.*  
 This bit enables the receiver. It is set and cleared by software.  
 0: Receiver is disabled  
 1: Receiver is enabled and begins searching for a start bit

Bit 1 = **RWU** *Receiver wake-up.*  
 This bit determines if the SCI is in mute mode or not. It is set and cleared by software and can be cleared by hardware when a wake-up sequence is recognized.

0: Receiver in active mode  
 1: Receiver in mute mode

**Note:** Before selecting mute mode (setting the RWU bit), the SCI must receive some data first, otherwise it cannot function in mute mode with wakeup by idle line detection.

Bit 0 = **SBK** *Send break.*  
 This bit set is used to send break characters. It is set and cleared by software.  
 0: No break character is transmitted  
 1: Break characters are transmitted

**Note:** If the SBK bit is set to “1” and then to “0”, the transmitter will send a BREAK word at the end of the current word.



**SERIAL COMMUNICATIONS INTERFACE (Cont'd)****DATA REGISTER (SCIDR)**

Read/Write

Reset Value: Undefined

Contains the Received or Transmitted data character, depending on whether it is read from or written to.

|     |     |     |     |     |     |     |     |
|-----|-----|-----|-----|-----|-----|-----|-----|
| 7   |     |     |     |     |     |     | 0   |
| DR7 | DR6 | DR5 | DR4 | DR3 | DR2 | DR1 | DR0 |

The Data register performs a double function (read and write) since it is composed of two registers, one for transmission (TDR) and one for reception (RDR).

The TDR register provides the parallel interface between the internal bus and the output shift register (see [Figure 35](#)).

The RDR register provides the parallel interface between the input shift register and the internal bus (see [Figure 35](#)).

**BAUD RATE REGISTER (SCIBRR)**

Read/Write

Reset Value: 0000 0000 (00h)

|      |      |      |      |      |      |      |      |
|------|------|------|------|------|------|------|------|
| 7    |      |      |      |      |      |      | 0    |
| SCP1 | SCP0 | SCT2 | SCT1 | SCT0 | SCR2 | SCR1 | SCR0 |

Bits 7:6= **SCP[1:0]** *First SCI Prescaler*

These 2 prescaling bits allow several standard clock division ranges:

| PR Prescaling factor | SCP1 | SCP0 |
|----------------------|------|------|
| 1                    | 0    | 0    |
| 3                    | 0    | 1    |

| PR Prescaling factor | SCP1 | SCP0 |
|----------------------|------|------|
| 4                    | 1    | 0    |
| 13                   | 1    | 1    |

Bits 5:3 = **SCT[2:0]** *SCI Transmitter rate divisor*  
These 3 bits, in conjunction with the SCP1 & SCP0 bits define the total division applied to the bus clock to yield the transmit rate clock.

| TR dividing factor | SCT2 | SCT1 | SCT0 |
|--------------------|------|------|------|
| 1                  | 0    | 0    | 0    |
| 2                  | 0    | 0    | 1    |
| 4                  | 0    | 1    | 0    |
| 8                  | 0    | 1    | 1    |
| 16                 | 1    | 0    | 0    |
| 32                 | 1    | 0    | 1    |
| 64                 | 1    | 1    | 0    |
| 128                | 1    | 1    | 1    |

Bits 2:0 = **SCR[2:0]** *SCI Receiver rate divisor*  
These 3 bits, in conjunction with the SCP[1:0] bits define the total division applied to the bus clock to yield the receive rate clock.

| RR dividing factor | SCR2 | SCR1 | SCR0 |
|--------------------|------|------|------|
| 1                  | 0    | 0    | 0    |
| 2                  | 0    | 0    | 1    |
| 4                  | 0    | 1    | 0    |
| 8                  | 0    | 1    | 1    |
| 16                 | 1    | 0    | 0    |
| 32                 | 1    | 0    | 1    |
| 64                 | 1    | 1    | 0    |
| 128                | 1    | 1    | 1    |

## SERIAL COMMUNICATIONS INTERFACE (Cont'd)

Table 19. SCI Register Map and Reset Values

| Address (Hex.) | Register Label               | 7         | 6         | 5         | 4         | 3         | 2         | 1         | 0         |
|----------------|------------------------------|-----------|-----------|-----------|-----------|-----------|-----------|-----------|-----------|
| 20             | <b>SCISR</b><br>Reset Value  | TDRE<br>1 | TC<br>1   | RDRF<br>0 | IDLE<br>0 | OR<br>0   | NF<br>0   | FE<br>0   | PE<br>0   |
| 21             | <b>SCIDR</b><br>Reset Value  | DR7<br>x  | DR6<br>x  | DR5<br>x  | DR4<br>x  | DR3<br>x  | DR2<br>x  | DR1<br>x  | DR0<br>x  |
| 22             | <b>SCIBRR</b><br>Reset Value | SCP1<br>0 | SCP0<br>0 | SCT2<br>x | SCT1<br>x | SCT0<br>x | SCR2<br>x | SCR1<br>x | SCR0<br>x |
| 23             | <b>SCICR1</b><br>Reset Value | R8<br>x   | T8<br>x   | SCID<br>0 | M<br>x    | WAKE<br>x | PCE<br>0  | PS<br>0   | PIE<br>0  |
| 24             | <b>SCICR2</b><br>Reset Value | TIE<br>0  | TCIE<br>0 | RIE<br>0  | ILIE<br>0 | TE<br>0   | RE<br>0   | RWU<br>0  | SBK<br>0  |

## 11.4 USB INTERFACE (USB)

### 11.4.1 Introduction

The USB Interface implements a low-speed function interface between the USB and the ST7 microcontroller. It is a highly integrated circuit which includes the transceiver, 3.3 voltage regulator, SIE and DMA. No external components are needed apart from the external pull-up on USBDM for low speed recognition by the USB host. The use of DMA architecture allows the endpoint definition to be completely flexible. Endpoints can be configured by software as in or out.

### 11.4.2 Main Features

- USB Specification Version 1.1 Compliant
- Supports Low-Speed USB Protocol
- Two or Three Endpoints (including default one) depending on the device (see device feature list and register map)
- CRC generation/checking, NRZI encoding/decoding and bit-stuffing
- USB Suspend/Resume operations
- DMA Data transfers
- On-Chip 3.3V Regulator
- On-Chip USB Transceiver

### 11.4.3 Functional Description

The block diagram in [Figure 37](#), gives an overview of the USB interface hardware.

For general information on the USB, refer to the “Universal Serial Bus Specifications” document available at <http://www.usb.org>.

### Serial Interface Engine

The SIE (Serial Interface Engine) interfaces with the USB, via the transceiver.

The SIE processes tokens, handles data transmission/reception, and handshaking as required by the USB standard. It also performs frame formatting, including CRC generation and checking.

### Endpoints

The Endpoint registers indicate if the microcontroller is ready to transmit/receive, and how many bytes need to be transmitted.

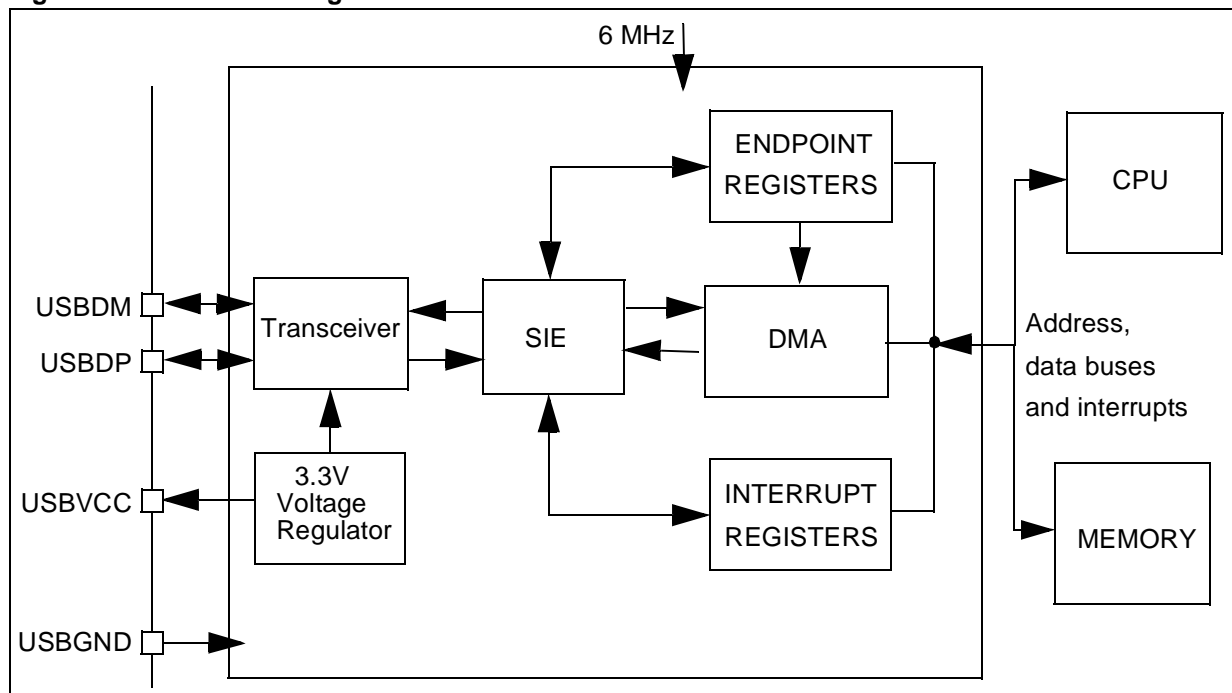
### DMA

When a token for a valid Endpoint is recognized by the USB interface, the related data transfer takes place, using DMA. At the end of the transaction, an interrupt is generated.

### Interrupts

By reading the Interrupt Status register, application software can know which USB event has occurred.

**Figure 37. USB Block Diagram**



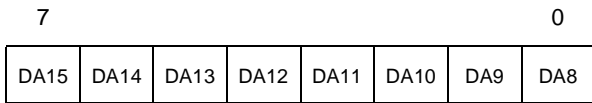
USB INTERFACE (Cont'd)

11.4.4 Register Description

DMA ADDRESS REGISTER (DMAR)

Read / Write

Reset Value: Undefined

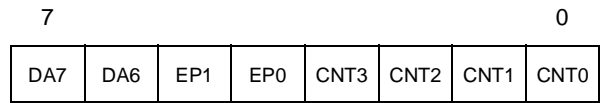


Bits 7:0=**DA[15:8]** DMA address bits 15-8. Software must write the start address of the DMA memory area whose most significant bits are given by DA15-DA6. The remaining 6 address bits are set by hardware. See the description of the IDR register and [Figure 38](#).

INTERRUPT/DMA REGISTER (IDR)

Read / Write

Reset Value: xxxx 0000 (x0h)



Bits 7:6 = **DA[7:6]** DMA address bits 7-6. Software must reset these bits. See the description of the DMAR register and [Figure 38](#).

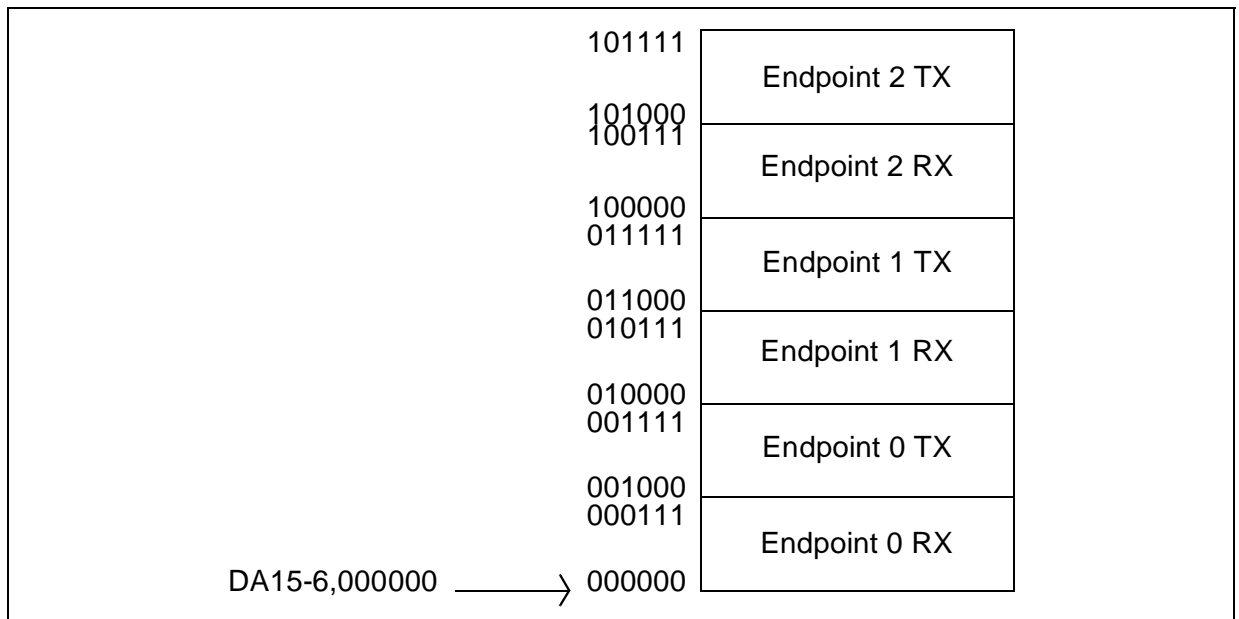
Bits 5:4 = **EP[1:0]** Endpoint number (read-only). These bits identify the endpoint which required attention.  
 00: Endpoint 0  
 01: Endpoint 1  
 10: Endpoint 2

When a CTR interrupt occurs (see register ISTR) the software should read the EP bits to identify the endpoint which has sent or received a packet.

Bits 3:0 = **CNT[3:0]** Byte count (read only). This field shows how many data bytes have been received during the last data reception.

**Note:** Not valid for data transmission.

Figure 38. DMA Buffers



**USB INTERFACE (Cont'd)****PID REGISTER (PIDR)**

Read only

Reset Value: xx00 0000 (x0h)

|     |     |   |   |   |        |     |   |
|-----|-----|---|---|---|--------|-----|---|
| 7   |     |   |   |   |        |     | 0 |
| TP3 | TP2 | 0 | 0 | 0 | RX_SEZ | RXD | 0 |

Bits 7:6 = **TP[3:2]** *Token PID bits 3 & 2.*  
 USB token PIDs are encoded in four bits. **TP[3:2]** correspond to the variable token PID bits 3 & 2.

**Note:** PID bits 1 & 0 have a fixed value of 01.  
 When a CTR interrupt occurs (see register ISTR) the software should read the TP3 and TP2 bits to retrieve the PID name of the token received.  
 The USB standard defines TP bits as:

| TP3 | TP2 | PID Name |
|-----|-----|----------|
| 0   | 0   | OUT      |
| 1   | 0   | IN       |
| 1   | 1   | SETUP    |

Bits 5:3 Reserved. Forced by hardware to 0.

Bit 2 = **RX\_SEZ** *Received single-ended zero*  
 This bit indicates the status of the RX\_SEZ transceiver output.  
 0: No SE0 (single-ended zero) state  
 1: USB lines are in SE0 (single-ended zero) state

Bit 1 = **RXD** *Received data*  
 0: No K-state  
 1: USB lines are in K-state

This bit indicates the status of the RXD transceiver output (differential receiver output).

**Note:** If the environment is noisy, the RX\_SEZ and RXD bits can be used to secure the application. By interpreting the status, software can distinguish a valid End Suspend event from a spurious wake-up due to noise on the external USB line. A valid End Suspend is followed by a Resume or Reset sequence. A Resume is indicated by RXD=1, a Reset is indicated by RX\_SEZ=1.

Bit 0 = Reserved. Forced by hardware to 0.

**INTERRUPT STATUS REGISTER (ISTR)**

Read / Write

Reset Value: 0000 0000 (00h)

|      |      |     |     |      |       |       |     |
|------|------|-----|-----|------|-------|-------|-----|
| 7    |      |     |     |      |       |       | 0   |
| SUSP | DOVR | CTR | ERR | IOVR | ESUSP | RESET | SOF |

When an interrupt occurs these bits are set by hardware. Software must read them to determine the interrupt type and clear them after servicing.  
**Note:** These bits cannot be set by software.

Bit 7 = **SUSP** *Suspend mode request.*  
 This bit is set by hardware when a constant idle state is present on the bus line for more than 3 ms, indicating a suspend mode request from the USB bus. The suspend request check is active immediately after each USB reset event and its disabled by hardware when suspend mode is forced (FSUSP bit of CTRLR register) until the end of resume sequence.

Bit 6 = **DOVR** *DMA over/underrun.*  
 This bit is set by hardware if the ST7 processor can't answer a DMA request in time.  
 0: No over/underrun detected  
 1: Over/underrun detected

Bit 5 = **CTR** *Correct Transfer.* This bit is set by hardware when a correct transfer operation is performed. The type of transfer can be determined by looking at bits TP3-TP2 in register PIDR. The Endpoint on which the transfer was made is identified by bits EP1-EP0 in register IDR.  
 0: No Correct Transfer detected  
 1: Correct Transfer detected

**Note:** A transfer where the device sent a NAK or STALL handshake is considered not correct (the host only sends ACK handshakes). A transfer is considered correct if there are no errors in the PID and CRC fields, if the DATA0/DATA1 PID is sent as expected, if there were no data overruns, bit stuffing or framing errors.

Bit 4 = **ERR** *Error.*  
 This bit is set by hardware whenever one of the errors listed below has occurred:  
 0: No error detected  
 1: Timeout, CRC, bit stuffing or nonstandard framing error detected

**USB INTERFACE (Cont'd)**

Bit 3 = **IOVR** *Interrupt overrun.*

This bit is set when hardware tries to set ERR, or SOF before they have been cleared by software.

- 0: No overrun detected
- 1: Overrun detected

Bit 2 = **ESUSP** *End suspend mode.*

This bit is set by hardware when, during suspend mode, activity is detected that wakes the USB interface up from suspend mode.

This interrupt is serviced by a specific vector, in order to wake up the ST7 from HALT mode.

- 0: No End Suspend detected
- 1: End Suspend detected

Bit 1 = **RESET** *USB reset.*

This bit is set by hardware when the USB reset sequence is detected on the bus.

- 0: No USB reset signal detected
- 1: USB reset signal detected

**Note:** The DADDR, EP0RA, EP0RB, EP1RA, EP1RB, EP2RA and EP2RB registers are reset by a USB reset.

Bit 0 = **SOF** *Start of frame.*

This bit is set by hardware when a low-speed SOF indication (keep-alive strobe) is seen on the USB bus. It is also issued at the end of a resume sequence.

- 0: No SOF signal detected
- 1: SOF signal detected

**Note:** To avoid spurious clearing of some bits, it is recommended to clear them using a load instruction where all bits which must not be altered are set, and all bits to be cleared are reset. Avoid read-modify-write instructions like AND , XOR..

**INTERRUPT MASK REGISTER (IMR)**

Read / Write

Reset Value: 0000 0000 (00h)

|           |           |          |          |           |            |            |          |
|-----------|-----------|----------|----------|-----------|------------|------------|----------|
| 7         |           |          |          |           |            |            | 0        |
| SUS<br>PM | DOV<br>RM | CTR<br>M | ERR<br>M | IOVR<br>M | ESU<br>SPM | RES<br>ETM | SOF<br>M |

Bits 7:0 = These bits are mask bits for all interrupt condition bits included in the ISTR. Whenever one of the IMR bits is set, if the corresponding ISTR bit is set, and the I bit in the CC register is cleared, an interrupt request is generated. For an explanation

of each bit, please refer to the corresponding bit description in ISTR.

**CONTROL REGISTER (CTLR)**

Read / Write

Reset Value: 0000 0110 (06h)

|   |   |   |   |        |      |       |      |
|---|---|---|---|--------|------|-------|------|
| 7 |   |   |   |        |      | 0     |      |
| 0 | 0 | 0 | 0 | RESUME | PDWN | FSUSP | FRES |

Bits 7:4 = Reserved. Forced by hardware to 0.

Bit 3 = **RESUME** *Resume.*

This bit is set by software to wake-up the Host when the ST7 is in suspend mode.

- 0: Resume signal not forced
- 1: Resume signal forced on the USB bus.

Software should clear this bit after the appropriate delay.

Bit 2 = **PDWN** *Power down.*

This bit is set by software to turn off the 3.3V on-chip voltage regulator that supplies the external pull-up resistor and the transceiver.

- 0: Voltage regulator on
- 1: Voltage regulator off

**Note:** After turning on the voltage regulator, software should allow at least 3 µs for stabilisation of the power supply before using the USB interface.

Bit 1 = **FSUSP** *Force suspend mode.*

This bit is set by software to enter Suspend mode. The ST7 should also be halted allowing at least 600 ns before issuing the HALT instruction.

- 0: Suspend mode inactive
- 1: Suspend mode active

When the hardware detects USB activity, it resets this bit (it can also be reset by software).

Bit 0 = **FRES** *Force reset.*

This bit is set by software to force a reset of the USB interface, just as if a RESET sequence came from the USB.

- 0: Reset not forced
- 1: USB interface reset forced.

The USB is held in RESET state until software clears this bit, at which point a "USB-RESET" interrupt will be generated if enabled.

**USB INTERFACE (Cont'd)****DEVICE ADDRESS REGISTER (DADDR)**

Read / Write

Reset Value: 0000 0000 (00h)

|   |      |      |      |      |      |      |      |
|---|------|------|------|------|------|------|------|
| 7 |      |      |      |      |      |      | 0    |
| 0 | ADD6 | ADD5 | ADD4 | ADD3 | ADD2 | ADD1 | ADD0 |

Bit 7 = Reserved. Forced by hardware to 0.

Bits 6:0 = **ADD[6:0]** Device address, 7 bits.

Software must write into this register the address sent by the host during enumeration.

**Note:** This register is also reset when a USB reset is received from the USB bus or forced through bit FRES in the CTLR register.**ENDPOINT n REGISTER A (EPnRA)**

Read / Write

Reset Value: 0000 xxxx (0xh)

|        |         |          |          |       |       |       |       |
|--------|---------|----------|----------|-------|-------|-------|-------|
| 7      |         |          |          |       |       |       | 0     |
| ST_OUT | DТОG_TX | STAT_TX1 | STAT_TX0 | TBC 3 | TBC 2 | TBC 1 | TBC 0 |

These registers (**EP0RA**, **EP1RA** and **EP2RA**) are used for controlling data transmission. They are also reset by the USB bus reset.**Note:** Endpoint 2 and the EP2RA register are not available on some devices (see device feature list and register map).Bit 7 = **ST\_OUT** Status out.

This bit is set by software to indicate that a status out packet is expected: in this case, all nonzero OUT data transfers on the endpoint are STALLED instead of being ACKed. When ST\_OUT is reset, OUT transactions can have any number of bytes, as needed.

Bit 6 = **DТОG\_TX** Data Toggle, for transmission transfers.

It contains the required value of the toggle bit (0=DATA0, 1=DATA1) for the next transmitted data packet. This bit is set by hardware at the reception of a SETUP PID. DТОG\_TX toggles only when the transmitter has received the ACK signal from the USB host. DТОG\_TX and also DТОG\_RX (see EPnRB) are normally updated by hardware, at the receipt of a relevant PID. They can be also written by software.

Bits 5:4 = **STAT\_TX[1:0]** Status bits, for transmission transfers.

These bits contain the information about the endpoint status, which are listed below:

| STAT_TX1 | STAT_TX0 | Meaning  |
|----------|----------|--|
| 0        | 0        | <b>DISABLED:</b> transmission transfers cannot be executed.                                      |
| 0        | 1        | <b>STALL:</b> the endpoint is stalled and all transmission requests result in a STALL handshake. |
| 1        | 0        | <b>NAK:</b> the endpoint is naked and all transmission requests result in a NAK handshake.       |
| 1        | 1        | <b>VALID:</b> this endpoint is enabled for transmission.   |

These bits are written by software. Hardware sets the STAT\_TX bits to NAK when a correct transfer has occurred (CTR=1) related to a IN or SETUP transaction addressed to this endpoint; this allows the software to prepare the next set of data to be transmitted.

Bits 3:0 = **TBC[3:0]** Transmit byte count for Endpoint n.

Before transmission, after filling the transmit buffer, software must write in the TBC field the transmit packet size expressed in bytes (in the range 0-8).

**Warning:** Any value outside the range 0-8 will induce undesired effects (such as continuous data transmission).

**USB INTERFACE** (Cont'd)

**ENDPOINT n REGISTER B (EPnRB)**

Read / Write

Reset Value: 0000 xxxx (0xh)

|      |                                 |                                      |                                      |             |             |             |             |
|------|---------------------------------|--------------------------------------|--------------------------------------|-------------|-------------|-------------|-------------|
| 7    |                                 |                                      |                                      |             |             |             | 0           |
| CTRL | D<br>T<br>O<br>G<br>_<br>R<br>X | S<br>T<br>A<br>T<br>_<br>R<br>X<br>1 | S<br>T<br>A<br>T<br>_<br>R<br>X<br>0 | E<br>A<br>3 | E<br>A<br>2 | E<br>A<br>1 | E<br>A<br>0 |

These registers (**EP1RB** and **EP2RB**) are used for controlling data reception on Endpoints 1 and 2. They are also reset by the USB bus reset.

**Note:** Endpoint 2 and the EP2RB register are not available on some devices (see device feature list and register map).

Bit 7 = **CTRL Control**.  
This bit should be 0.

**Note:** If this bit is 1, the Endpoint is a control endpoint. (Endpoint 0 is always a control Endpoint, but it is possible to have more than one control Endpoint).

Bit 6 = **DTOG\_RX Data toggle, for reception transfers**.

It contains the expected value of the toggle bit (0=DATA0, 1=DATA1) for the next data packet. This bit is cleared by hardware in the first stage (Setup Stage) of a control transfer (SETUP transactions start always with DATA0 PID). The receiver toggles DTOG\_RX only if it receives a correct data packet and the packet's data PID matches the receiver sequence bit.

Bits 5:4 = **STAT\_RX [1:0] Status bits, for reception transfers**.

These bits contain the information about the endpoint status, which are listed below:

| STAT_RX1 | STAT_RX0 | Meaning   |
|----------|----------|---|
| 0        | 0        | <b>DISABLED:</b> reception transfers cannot be executed.                                      |
| 0        | 1        | <b>STALL:</b> the endpoint is stalled and all reception requests result in a STALL handshake. |

| STAT_RX1 | STAT_RX0 | Meaning   |
|----------|----------|---|
| 1        | 0        | <b>NAK:</b> the endpoint is naked and all reception requests result in a NAK handshake. |
| 1        | 1        | <b>VALID:</b> this endpoint is enabled for reception.                                   |

These bits are written by software. Hardware sets the STAT\_RX bits to NAK when a correct transfer has occurred (CTR=1) related to an OUT or SETUP transaction addressed to this endpoint, so the software has the time to elaborate the received data before acknowledging a new transaction.

Bits 3:0 = **EA[3:0] Endpoint address**.  
Software must write in this field the 4-bit address used to identify the transactions directed to this endpoint. Usually EP1RB contains "0001" and EP2RB contains "0010".

**ENDPOINT 0 REGISTER B (EP0RB)**

Read / Write

Reset Value: 1000 0000 (80h)

|   |                                 |                                      |                                      |   |   |   |   |
|---|---------------------------------|--------------------------------------|--------------------------------------|---|---|---|---|
| 7 |                                 |                                      |                                      |   |   |   | 0 |
| 1 | D<br>T<br>O<br>G<br>_<br>R<br>X | S<br>T<br>A<br>T<br>_<br>R<br>X<br>1 | S<br>T<br>A<br>T<br>_<br>R<br>X<br>0 | 0 | 0 | 0 | 0 |

This register is used for controlling data reception on Endpoint 0. It is also reset by the USB bus reset.

Bit 7 = Forced by hardware to 1.

Bits 6:4 = Refer to the EPnRB register for a description of these bits.

Bits 3:0 = Forced by hardware to 0.



## USB INTERFACE (Cont'd)

### 11.4.5 Programming Considerations

The interaction between the USB interface and the application program is described below. Apart from system reset, action is always initiated by the USB interface, driven by one of the USB events associated with the Interrupt Status Register (ISTR) bits.

#### 11.4.5.1 Initializing the Registers

At system reset, the software must initialize all registers to enable the USB interface to properly generate interrupts and DMA requests.

1. Initialize the DMAR, IDR, and IMR registers (choice of enabled interrupts, address of DMA buffers). Refer the paragraph titled initializing the DMA Buffers.
2. Initialize the EP0RA and EP0RB registers to enable accesses to address 0 and endpoint 0 to support USB enumeration. Refer to the paragraph titled Endpoint Initialization.
3. When addresses are received through this channel, update the content of the DADDR.
4. If needed, write the endpoint numbers in the EA fields in the EP1RB and EP2RB register.

#### 11.4.5.2 Initializing DMA buffers

The DMA buffers are a contiguous zone of memory whose maximum size is 48 bytes. They can be placed anywhere in the memory space to enable the reception of messages. The 10 most significant bits of the start of this memory area are specified by bits DA15-DA6 in registers DMAR and IDR, the remaining bits are 0. The memory map is shown in [Figure 38](#).

Each buffer is filled starting from the bottom (last 3 address bits=000) up.

#### 11.4.5.3 Endpoint Initialization

To be ready to receive:

Set STAT\_RX to VALID (11b) in EP0RB to enable reception.

To be ready to transmit:

1. Write the data in the DMA transmit buffer.
2. In register EPnRA, specify the number of bytes to be transmitted in the TBC field
3. Enable the endpoint by setting the STAT\_TX bits to VALID (11b) in EPnRA.

**Note:** Once transmission and/or reception are enabled, registers EPnRA and/or EPnRB (respec-

tively) must not be modified by software, as the hardware can change their value on the fly.

When the operation is completed, they can be accessed again to enable a new operation.

#### 11.4.5.4 Interrupt Handling

##### Start of Frame (SOF)

The interrupt service routine may monitor the SOF events for a 1 ms synchronization event to the USB bus. This interrupt is generated at the end of a resume sequence and can also be used to detect this event.

##### USB Reset (RESET)

When this event occurs, the DADDR register is reset, and communication is disabled in all endpoint registers (the USB interface will not respond to any packet). Software is responsible for reenabling endpoint 0 within 10 ms of the end of reset. To do this, set the STAT\_RX bits in the EP0RB register to VALID.

##### Suspend (SUSP)

The CPU is warned about the lack of bus activity for more than 3 ms, which is a suspend request. The software should set the USB interface to suspend mode and execute an ST7 HALT instruction to meet the USB-specified power constraints.

##### End Suspend (ESUSP)

The CPU is alerted by activity on the USB, which causes an ESUSP interrupt. The ST7 automatically terminates HALT mode.

##### Correct Transfer (CTR)

1. When this event occurs, the hardware automatically sets the STAT\_TX or STAT\_RX to NAK.
 

**Note:** Every valid endpoint is NAKed until software clears the CTR bit in the ISTR register, independently of the endpoint number addressed by the transfer which generated the CTR interrupt.

**Note:** If the event triggering the CTR interrupt is a SETUP transaction, both STAT\_TX and STAT\_RX are set to NAK.
2. Read the PIDR to obtain the token and the IDR to get the endpoint number related to the last transfer.
 

**Note:** When a CTR interrupt occurs, the TP3-TP2 bits in the PIDR register and EP1-EP0 bits in the IDR register stay unchanged until the CTR bit in the ISTR register is cleared.
3. Clear the CTR bit in the ISTR register.

## USB INTERFACE (Cont'd)

Table 20. USB Register Map and Reset Values

| Address (Hex.) | Register Name | 7      | 6       | 5        | 4        | 3      | 2      | 1      | 0    |
|----------------|---------------|--------|---------|----------|----------|--------|--------|--------|------|
| 25             | PIDR          | TP3    | TP2     | 0        | 0        | 0      | RX_SEZ | RXD    | 0    |
|                | Reset Value   | x      | x       | 0        | 0        | 0      | 0      | 0      | 0    |
| 26             | DMAR          | DA15   | DA14    | DA13     | DA12     | DA11   | DA10   | DA9    | DA8  |
|                | Reset Value   | x      | x       | x        | x        | x      | x      | x      | x    |
| 27             | IDR           | DA7    | DA6     | EP1      | EP0      | CNT3   | CNT2   | CNT1   | CNT0 |
|                | Reset Value   | x      | x       | x        | x        | 0      | 0      | 0      | 0    |
| 28             | ISTR          | SUSP   | DOVR    | CTR      | ERR      | IOVR   | ESUSP  | RESET  | SOF  |
|                | Reset Value   | 0      | 0       | 0        | 0        | 0      | 0      | 0      | 0    |
| 29             | IMR           | SUSPM  | DOVRM   | CTRM     | ERRM     | IOVRM  | ESUSPM | RESETM | SOFM |
|                | Reset Value   | 0      | 0       | 0        | 0        | 0      | 0      | 0      | 0    |
| 2A             | CTLR          | 0      | 0       | 0        | 0        | RESUME | PDWN   | FSUSP  | FRES |
|                | Reset Value   | 0      | 0       | 0        | 0        | 0      | 1      | 1      | 0    |
| 2B             | DADDR         | 0      | ADD6    | ADD5     | ADD4     | ADD3   | ADD2   | ADD1   | ADD0 |
|                | Reset Value   | 0      | 0       | 0        | 0        | 0      | 0      | 0      | 0    |
| 2C             | EP0RA         | ST_OUT | DTOG_TX | STAT_TX1 | STAT_TX0 | TBC3   | TBC2   | TBC1   | TBC0 |
|                | Reset Value   | 0      | 0       | 0        | 0        | x      | x      | x      | x    |
| 2D             | EP0RB         | 1      | DTOG_RX | STAT_RX1 | STAT_RX0 | 0      | 0      | 0      | 0    |
|                | Reset Value   | 1      | 0       | 0        | 0        | 0      | 0      | 0      | 0    |
| 2E             | EP1RA         | ST_OUT | DTOG_TX | STAT_TX1 | STAT_TX0 | TBC3   | TBC2   | TBC1   | TBC0 |
|                | Reset Value   | 0      | 0       | 0        | 0        | x      | x      | x      | x    |
| 2F             | EP1RB         | CTRL   | DTOG_RX | STAT_RX1 | STAT_RX0 | EA3    | EA2    | EA1    | EA0  |
|                | Reset Value   | 0      | 0       | 0        | 0        | x      | x      | x      | x    |
| 30             | EP2RA         | ST_OUT | DTOG_TX | STAT_TX1 | STAT_TX0 | TBC3   | TBC2   | TBC1   | TBC0 |
|                | Reset Value   | 0      | 0       | 0        | 0        | x      | x      | x      | x    |
| 31             | EP2RB         | CTRL   | DTOG_RX | STAT_RX1 | STAT_RX0 | EA3    | EA2    | EA1    | EA0  |
|                | Reset Value   | 0      | 0       | 0        | 0        | x      | x      | x      | x    |

## 11.5 I<sup>2</sup>C BUS INTERFACE (I<sup>2</sup>C)

### 11.5.1 Introduction

The I<sup>2</sup>C Bus Interface serves as an interface between the microcontroller and the serial I<sup>2</sup>C bus. It provides both multimaster and slave functions, and controls all I<sup>2</sup>C bus-specific sequencing, protocol, arbitration and timing. It supports fast I<sup>2</sup>C mode (400 kHz).

### 11.5.2 Main Features

- Parallel-bus/I<sup>2</sup>C protocol converter
- Multi-master capability
- 7-bit Addressing
- Transmitter/Receiver flag
- End-of-byte transmission flag
- Transfer problem detection

#### I<sup>2</sup>C Master Features:

- Clock generation
- I<sup>2</sup>C bus busy flag
- Arbitration Lost Flag
- End of byte transmission flag
- Transmitter/Receiver Flag
- Start bit detection flag
- Start and Stop generation

#### I<sup>2</sup>C Slave Features:

- Stop bit detection
- I<sup>2</sup>C bus busy flag
- Detection of misplaced start or stop condition
- Programmable I<sup>2</sup>C Address detection
- Transfer problem detection
- End-of-byte transmission flag
- Transmitter/Receiver flag

### 11.5.3 General Description

In addition to receiving and transmitting data, this interface converts it from serial to parallel format and vice versa, using either an interrupt or polled

handshake. The interrupts are enabled or disabled by software. The interface is connected to the I<sup>2</sup>C bus by a data pin (SDA) and by a clock pin (SCL). It can be connected both with a standard I<sup>2</sup>C bus and a Fast I<sup>2</sup>C bus. This selection is made by software.

#### Mode Selection

The interface can operate in the four following modes:

- Slave transmitter/receiver
- Master transmitter/receiver

By default, it operates in slave mode.

The interface automatically switches from slave to master after it generates a START condition and from master to slave in case of arbitration loss or a STOP generation, this allows Multi-Master capability.

#### Communication Flow

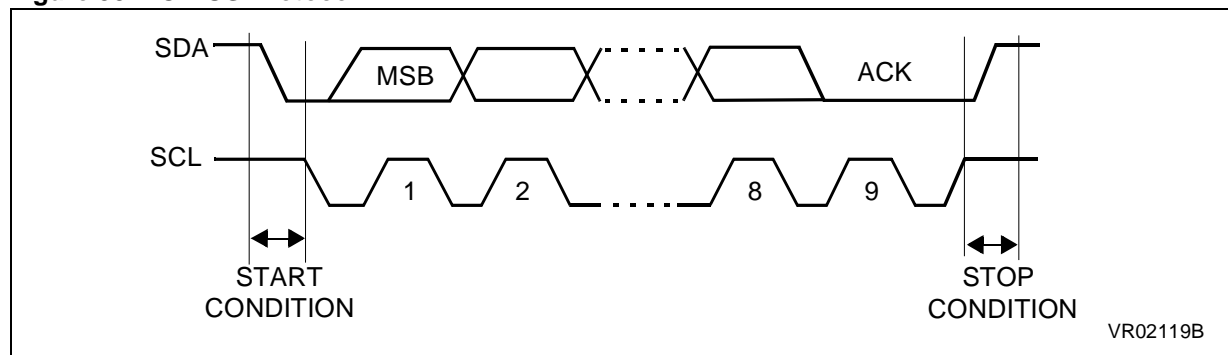
In Master mode, it initiates a data transfer and generates the clock signal. A serial data transfer always begins with a start condition and ends with a stop condition. Both start and stop conditions are generated in master mode by software.

In Slave mode, the interface is capable of recognising its own address (7-bit), and the General Call address. The General Call address detection may be enabled or disabled by software.

Data and addresses are transferred as 8-bit bytes, MSB first. The first byte following the start condition is the address byte; it is always transmitted in Master mode.

A 9th clock pulse follows the 8 clock cycles of a byte transfer, during which the receiver must send an acknowledge bit to the transmitter. Refer to [Figure 39](#).

**Figure 39. I<sup>2</sup>C BUS Protocol**



**I<sup>2</sup>C BUS INTERFACE (Cont'd)**

The Acknowledge function may be enabled and disabled by software.

The I<sup>2</sup>C interface address and/or general call address can be selected by software.

The speed of the I<sup>2</sup>C interface may be selected between Standard (0-100 kHz) and Fast I<sup>2</sup>C (100-400 kHz).

**SDA/SCL Line Control**

Transmitter mode: the interface holds the clock line low before transmission to wait for the microcontroller to write the byte in the Data Register.

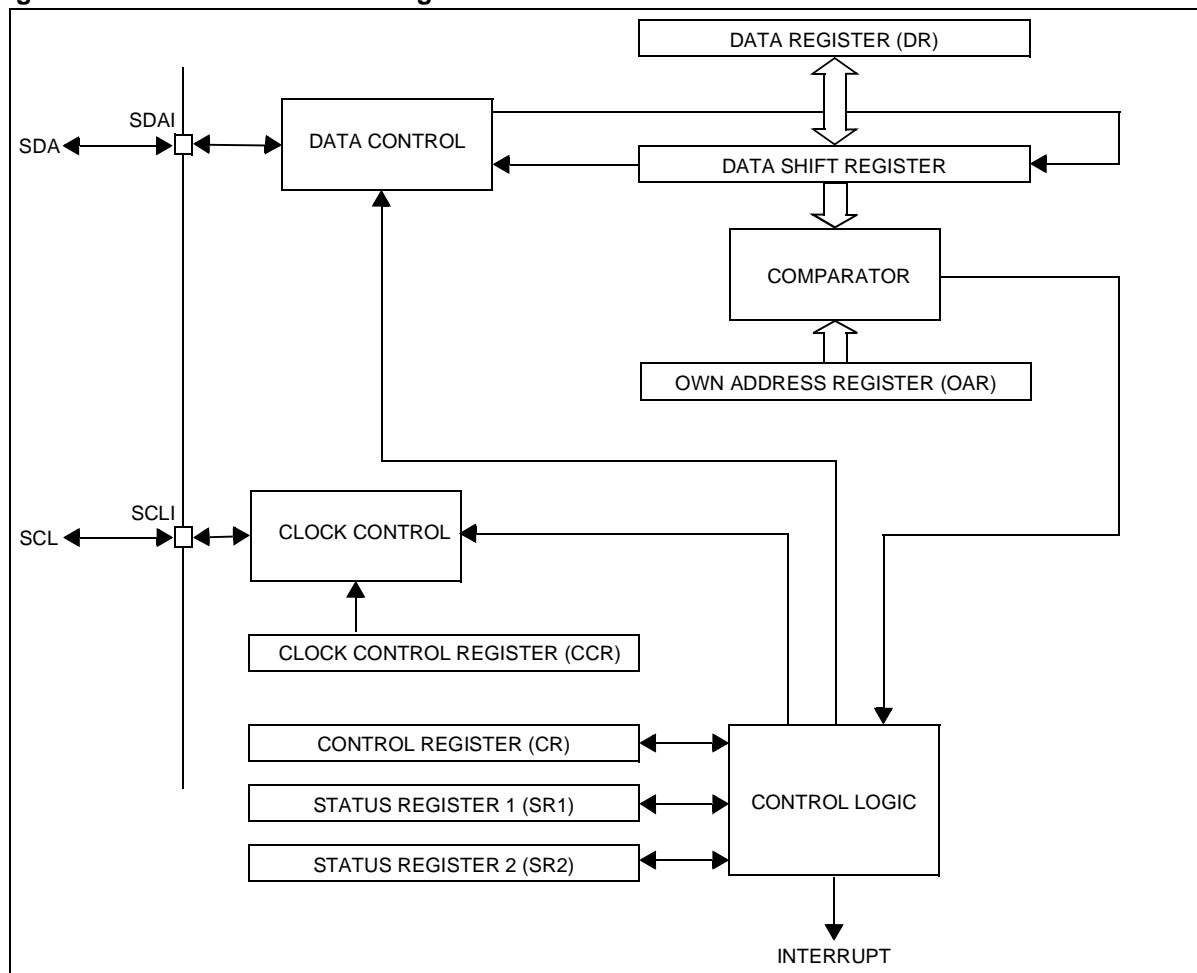
Receiver mode: the interface holds the clock line low after reception to wait for the microcontroller to read the byte in the Data Register.

The SCL frequency ( $F_{SCL}$ ) is controlled by a programmable clock divider which depends on the I<sup>2</sup>C bus mode.

When the I<sup>2</sup>C cell is enabled, the SDA and SCL ports must be configured as floating open-drain output or floating input. In this case, the value of the external pull-up resistor used depends on the application.

When the I<sup>2</sup>C cell is disabled, the SDA and SCL ports revert to being standard I/O port pins.

**Figure 40. I<sup>2</sup>C Interface Block Diagram**



## I<sup>2</sup>C BUS INTERFACE (Cont'd)

### 11.5.4 Functional Description

Refer to the CR, SR1 and SR2 registers in [Section 11.5.7](#) for the bit definitions.

By default the I<sup>2</sup>C interface operates in Slave mode (M/SL bit is cleared) except when it initiates a transmit or receive sequence.

#### 11.5.4.1 Slave Mode

As soon as a start condition is detected, the address is received from the SDA line and sent to the shift register; then it is compared with the address of the interface or the General Call address (if selected by software).

**Address not matched:** the interface ignores it and waits for another Start condition.

**Address matched:** the interface generates in sequence:

- An Acknowledge pulse is generated if the ACK bit is set.
- EVF and ADSL bits are set with an interrupt if the ITE bit is set.

Then the interface waits for a read of the SR1 register, **holding the SCL line low** (see [Figure 41](#) Transfer sequencing EV1).

Next, software must read the DR register to determine from the least significant bit if the slave must enter Receiver or Transmitter mode.

#### Slave Receiver

Following the address reception and after SR1 register has been read, the slave receives bytes from the SDA line into the DR register via the internal shift register. After each byte the interface generates in sequence:

- An Acknowledge pulse is generated if the ACK bit is set
- EVF and BTF bits are set with an interrupt if the ITE bit is set.

Then the interface waits for a read of the SR1 register followed by a read of the DR register, **holding the SCL line low** (see [Figure 41](#) Transfer sequencing EV2).

#### Slave Transmitter

Following the address reception and after the SR1 register has been read, the slave sends bytes from the DR register to the SDA line via the internal shift register.

The slave waits for a read of the SR1 register followed by a write in the DR register, **holding the SCL line low** (see [Figure 41](#) Transfer sequencing EV3).

When the acknowledge pulse is received:

- The EVF and BTF bits are set by hardware with an interrupt if the ITE bit is set.

#### Closing Slave Communication

After the last data byte is transferred a Stop Condition is generated by the master. The interface detects this condition and sets:

- EVF and STOPF bits with an interrupt if the ITE bit is set.

Then the interface waits for a read of the SR2 register (see [Figure 41](#) Transfer sequencing EV4).

#### Error Cases

- **BERR:** Detection of a Stop or a Start condition during a byte transfer. In this case, the EVF and BERR bits are set with an interrupt if the ITE bit is set.

If it is a Stop condition, then the interface discards the data, releases the lines and waits for another Start condition.

If it is a Start condition, then the interface discards the data and waits for the next slave address on the bus.

- **AF:** Detection of a non-acknowledge bit. In this case, the EVF and AF bits are set with an interrupt if the ITE bit is set.

**Note:** In both cases, the SCL line is not held low; however, the SDA line can remain low due to possible "0" bits transmitted last. It is then necessary to release both lines by software.

#### How to Release the SDA / SCL lines

Set and subsequently clear the STOP bit while BTF is set. The SDA/SCL lines are released after the transfer of the current byte.

## I<sup>2</sup>C BUS INTERFACE (Cont'd)

### 11.5.4.2 Master Mode

To switch from default Slave mode to Master mode, a Start condition generation is needed.

#### Start Condition and Transmit Slave Address

Setting the START bit while the BUSY bit is cleared causes the interface to switch to Master mode (M/SL bit set) and generates a Start condition.

Once the Start condition is sent:

- The EVF and SB bits are set by hardware with an interrupt if the ITE bit is set.

Then the master waits for a read of the SR1 register followed by a write in the DR register with the Slave address byte, **holding the SCL line low** (see [Figure 41](#) Transfer sequencing EV5).

Then the slave address byte is sent to the SDA line via the internal shift register.

After completion of this transfer (and acknowledge from the slave if the ACK bit is set):

- The EVF bit is set by hardware with interrupt generation if the ITE bit is set.

Then the master waits for a read of the SR1 register followed by a write in the CR register (for example set PE bit), **holding the SCL line low** (see [Figure 41](#) Transfer sequencing EV6).

Next the master must enter Receiver or Transmitter mode.

#### Master Receiver

Following the address transmission and after the SR1 and CR registers have been accessed, the master receives bytes from the SDA line into the DR register via the internal shift register. After each byte the interface generates in sequence:

- An Acknowledge pulse is generated if the ACK bit is set
- EVF and BTF bits are set by hardware with an interrupt if the ITE bit is set.

Then the interface waits for a read of the SR1 register followed by a read of the DR register, **holding the SCL line low** (see [Figure 41](#) Transfer sequencing EV7).

To close the communication: before reading the last byte from the DR register, set the STOP bit to generate the Stop condition. The interface returns automatically to slave mode (M/SL bit cleared).

**Note:** In order to generate the non-acknowledge pulse after the last received data byte, the ACK bit must be cleared just before reading the second last data byte.

#### Master Transmitter

Following the address transmission and after SR1 register has been read, the master sends bytes from the DR register to the SDA line via the internal shift register.

The master waits for a read of the SR1 register followed by a write in the DR register, **holding the SCL line low** (see [Figure 41](#) Transfer sequencing EV8).

When the acknowledge bit is received, the interface sets:

- EVF and BTF bits with an interrupt if the ITE bit is set.

To close the communication: after writing the last byte to the DR register, set the STOP bit to generate the Stop condition. The interface goes automatically back to slave mode (M/SL bit cleared).

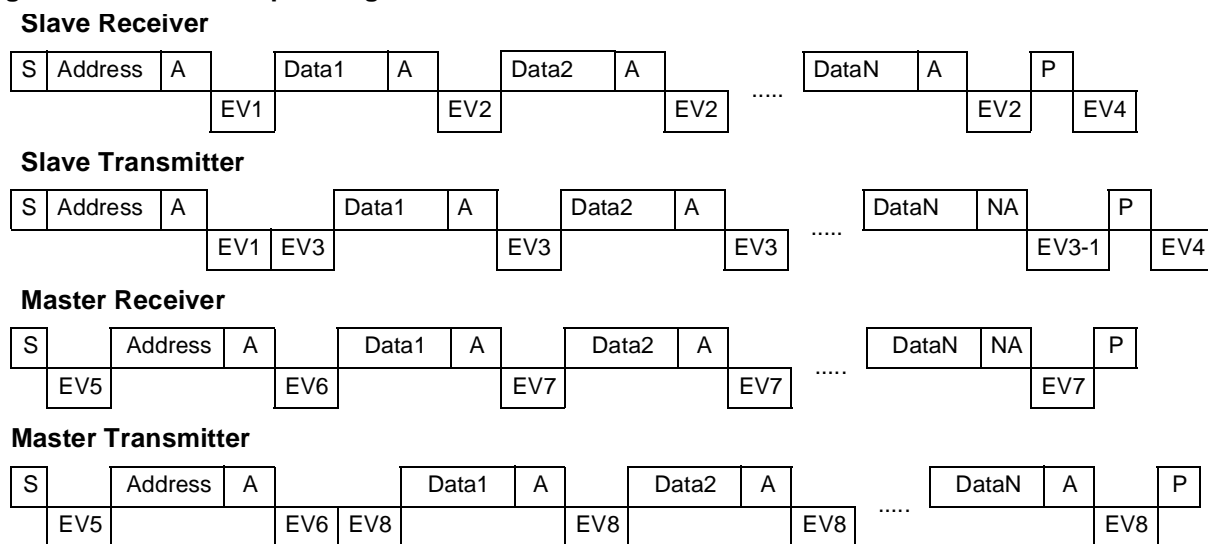
#### Error Cases

- **BERR:** Detection of a Stop or a Start condition during a byte transfer. In this case, the EVF and BERR bits are set by hardware with an interrupt if the ITE bit is set.
- **AF:** Detection of a non-acknowledge bit. In this case, the EVF and AF bits are set by hardware with an interrupt if the ITE bit is set. To resume, set the START or STOP bit.
- **ARLO:** Detection of an arbitration lost condition. In this case the ARLO bit is set by hardware (with an interrupt if the ITE bit is set and the interface goes automatically back to slave mode (the M/SL bit is cleared).

**Note:** In all these cases, the SCL line is not held low; however, the SDA line can remain low due to possible “0” bits transmitted last. It is then necessary to release both lines by software.

I<sup>2</sup>C BUS INTERFACE (Cont'd)

Figure 41. Transfer Sequencing

**Legend:**

S=Start, P=Stop, A=Acknowledge, NA=Non-acknowledge

EVx=Event (with interrupt if ITE=1)

**EV1:** EVF=1, ADSL=1, cleared by reading the SR1 register.**EV2:** EVF=1, BTF=1, cleared by reading the SR1 register followed by reading the DR register.**EV3:** EVF=1, BTF=1, cleared by reading the SR1 register followed by writing the DR register.**EV3-1:** EVF=1, AF=1, BTF=1; AF is cleared by reading the SR1 register. The BTF is cleared by releasing the lines (STOP=1, STOP=0) or by writing the DR register (DR=FFh).**Note:** If lines are released by STOP=1, STOP=0, the subsequent EV4 is not seen.**EV4:** EVF=1, STOPF=1, cleared by reading the SR2 register.**EV5:** EVF=1, SB=1, cleared by reading the SR1 register followed by writing the DR register.**EV6:** EVF=1, cleared by reading the SR1 register followed by writing the CR register (for example PE=1).**EV7:** EVF=1, BTF=1, cleared by reading the SR1 register followed by reading the DR register.**EV8:** EVF=1, BTF=1, cleared by reading the SR1 register followed by writing the DR register.

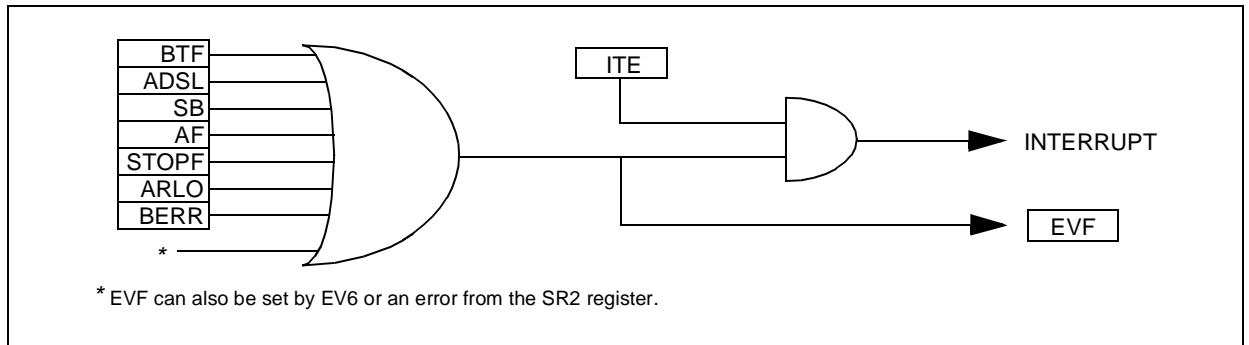
I<sup>2</sup>C BUS INTERFACE (Cont'd)

11.5.5 Low Power Modes

| Mode | Description   |
|------|---|
| WAIT | No effect on I <sup>2</sup> C interface.<br>I <sup>2</sup> C interrupts exit from Wait mode.  |
| HALT | I <sup>2</sup> C registers are frozen.<br>In Halt mode, the I <sup>2</sup> C interface is inactive and does not acknowledge data on the bus. The I <sup>2</sup> C interface resumes operation when the MCU is woken up by an interrupt with "exit from Halt mode" capability. |

11.5.6 Interrupts

Figure 42. Event Flags and Interrupt Generation



| Interrupt Event                                    | Event Flag | Enable Control Bit | Exit from Wait | Exit from Halt |
|--|------------|--------------------|----------------|----------------|
| End of Byte Transfer Event                         | BTF        | ITE                | Yes            | No             |
| Address Matched Event (Slave mode)                 | ADSEL      |                    | Yes            | No             |
| Start Bit Generation Event (Master mode)           | SB         |                    | Yes            | No             |
| Acknowledge Failure Event                          | AF         |                    | Yes            | No             |
| Stop Detection Event (Slave mode)                  | STOPF      |                    | Yes            | No             |
| Arbitration Lost Event (Multimaster configuration) | ARLO       |                    | Yes            | No             |
| Bus Error Event                                    | BERR       |                    | Yes            | No             |

The I<sup>2</sup>C interrupt events are connected to the same interrupt vector (see Interrupts chapter).

They generate an interrupt if the corresponding Enable Control Bit is set and the I-bit in the CC register is reset (RIM instruction).



**I<sup>2</sup>C BUS INTERFACE** (Cont'd)**11.5.7 Register Description****I<sup>2</sup>C CONTROL REGISTER (CR)**

Read / Write

Reset Value: 0000 0000 (00h)

|   |   |    |      |       |     |      |     |
|---|---|----|------|-------|-----|------|-----|
| 7 |   |    |      |       |     |      | 0   |
| 0 | 0 | PE | ENGC | START | ACK | STOP | ITE |

Bits 7:6 = Reserved. Forced to 0 by hardware.

Bit 5 = **PE** *Peripheral enable*.

This bit is set and cleared by software.

0: Peripheral disabled

1: Master/Slave capability

**Notes:**

- When PE=0, all the bits of the CR register and the SR register except the Stop bit are reset. All outputs are released while PE=0
- When PE=1, the corresponding I/O pins are selected by hardware as alternate functions.
- To enable the I<sup>2</sup>C interface, write the CR register **TWICE** with PE=1 as the first write only activates the interface (only PE is set).

Bit 4 = **ENGC** *Enable General Call*.

This bit is set and cleared by software. It is also cleared by hardware when the interface is disabled (PE=0). The 00h General Call address is acknowledged (01h ignored).

0: General Call disabled

1: General Call enabled

Bit 3 = **START** *Generation of a Start condition*.

This bit is set and cleared by software. It is also cleared by hardware when the interface is disabled (PE=0) or when the Start condition is sent (with interrupt generation if ITE=1).

– In master mode:

0: No start generation

1: Repeated start generation

– In slave mode:

0: No start generation

1: Start generation when the bus is free

Bit 2 = **ACK** *Acknowledge enable*.

This bit is set and cleared by software. It is also cleared by hardware when the interface is disabled (PE=0).

0: No acknowledge returned

1: Acknowledge returned after an address byte or a data byte is received

Bit 1 = **STOP** *Generation of a Stop condition*.

This bit is set and cleared by software. It is also cleared by hardware in master mode. Note: This bit is not cleared when the interface is disabled (PE=0).

– In Master mode:

0: No stop generation

1: Stop generation after the current byte transfer or after the current Start condition is sent. The STOP bit is cleared by hardware when the Stop condition is sent.

– In Slave mode:

0: No stop generation

1: Release the SCL and SDA lines after the current byte transfer (BTF=1). In this mode the STOP bit has to be cleared by software.

Bit 0 = **ITE** *Interrupt enable*.

This bit is set and cleared by software and cleared by hardware when the interface is disabled (PE=0).

0: Interrupts disabled

1: Interrupts enabled

Refer to [Figure 42](#) for the relationship between the events and the interrupt.

SCL is held low when the SB, BTF or ADSL flags or an EV6 event (See [Figure 41](#)) is detected.

**I<sup>2</sup>C BUS INTERFACE** (Cont'd)

**I<sup>2</sup>C STATUS REGISTER 1 (SR1)**

Read Only

Reset Value: 0000 0000 (00h)

|     |   |     |      |     |      |      |    |
|-----|---|-----|------|-----|------|------|----|
| 7   |   |     |      |     |      |      | 0  |
| EVF | 0 | TRA | BUSY | BTF | ADSL | M/SL | SB |

**Bit 7 = EVF Event flag.**

This bit is set by hardware as soon as an event occurs. It is cleared by software reading SR2 register in case of error event or as described in Figure 41. It is also cleared by hardware when the interface is disabled (PE=0).

0: No event

1: One of the following events has occurred:

- BTF=1 (Byte received or transmitted)
- ADSL=1 (Address matched in Slave mode while ACK=1)
- SB=1 (Start condition generated in Master mode)
- AF=1 (No acknowledge received after byte transmission)
- STOPF=1 (Stop condition detected in Slave mode)
- ARLO=1 (Arbitration lost in Master mode)
- BERR=1 (Bus error, misplaced Start or Stop condition detected)
- Address byte successfully transmitted in Master mode.

Bit 6 = Reserved. Forced to 0 by hardware.

**Bit 5 = TRA Transmitter/Receiver.**

When BTF is set, TRA=1 if a data byte has been transmitted. It is cleared automatically when BTF is cleared. It is also cleared by hardware after detection of Stop condition (STOPF=1), loss of bus arbitration (ARLO=1) or when the interface is disabled (PE=0).

0: Data byte received (if BTF=1)

1: Data byte transmitted

**Bit 4 = BUSY Bus busy.**

This bit is set by hardware on detection of a Start condition and cleared by hardware on detection of a Stop condition. It indicates a communication in progress on the bus. This information is still updated when the interface is disabled (PE=0).

0: No communication on the bus

1: Communication ongoing on the bus

**Bit 3 = BTF Byte transfer finished.**

This bit is set by hardware as soon as a byte is correctly received or transmitted with interrupt generation if ITE=1. It is cleared by software reading SR1 register followed by a read or write of DR register. It is also cleared by hardware when the interface is disabled (PE=0).

- Following a byte transmission, this bit is set after reception of the acknowledge clock pulse. In case an address byte is sent, this bit is set only after the EV6 event (See Figure 41). BTF is cleared by reading SR1 register followed by writing the next byte in DR register.

- Following a byte reception, this bit is set after transmission of the acknowledge clock pulse if ACK=1. BTF is cleared by reading SR1 register followed by reading the byte from DR register.

The SCL line is held low while BTF=1.

0: Byte transfer not done

1: Byte transfer succeeded

**Bit 2 = ADSL Address matched (Slave mode).**

This bit is set by hardware as soon as the received slave address matched with the OAR register content or a general call is recognized. An interrupt is generated if ITE=1. It is cleared by software reading SR1 register or by hardware when the interface is disabled (PE=0).

The SCL line is held low while ADSL=1.

0: Address mismatched or not received

1: Received address matched

**Bit 1 = M/SL Master/Slave.**

This bit is set by hardware as soon as the interface is in Master mode (writing START=1). It is cleared by hardware after detecting a Stop condition on the bus or a loss of arbitration (ARLO=1). It is also cleared when the interface is disabled (PE=0).

0: Slave mode

1: Master mode

**Bit 0 = SB Start bit (Master mode).**

This bit is set by hardware as soon as the Start condition is generated (following a write START=1). An interrupt is generated if ITE=1. It is cleared by software reading SR1 register followed by writing the address byte in DR register. It is also cleared by hardware when the interface is disabled (PE=0).

0: No Start condition

1: Start condition generated

**I<sup>2</sup>C BUS INTERFACE** (Cont'd)**I<sup>2</sup>C STATUS REGISTER 2 (SR2)**

Read Only

Reset Value: 0000 0000 (00h)

|   |   |   |    |       |      |      |      |
|---|---|---|----|-------|------|------|------|
| 7 |   |   |    |       |      |      | 0    |
| 0 | 0 | 0 | AF | STOPF | ARLO | BERR | GCAL |

Bits 7:5 = Reserved. Forced to 0 by hardware.

**Bit 4 = AF Acknowledge failure.**

This bit is set by hardware when no acknowledge is returned. An interrupt is generated if ITE=1. It is cleared by software reading SR2 register or by hardware when the interface is disabled (PE=0).

The SCL line is not held low while AF=1.

0: No acknowledge failure

1: Acknowledge failure

**Bit 3 = STOPF Stop detection (Slave mode).**

This bit is set by hardware when a Stop condition is detected on the bus after an acknowledge (if ACK=1). An interrupt is generated if ITE=1. It is cleared by software reading SR2 register or by hardware when the interface is disabled (PE=0).

The SCL line is not held low while STOPF=1.

0: No Stop condition detected

1: Stop condition detected

**Bit 2 = ARLO Arbitration lost.**

This bit is set by hardware when the interface los-

es the arbitration of the bus to another master. An interrupt is generated if ITE=1. It is cleared by software reading SR2 register or by hardware when the interface is disabled (PE=0).

After an ARLO event the interface switches back automatically to Slave mode (M/SL=0).

The SCL line is not held low while ARLO=1.

0: No arbitration lost detected

1: Arbitration lost detected

**Bit 1 = BERR Bus error.**

This bit is set by hardware when the interface detects a misplaced Start or Stop condition. An interrupt is generated if ITE=1. It is cleared by software reading SR2 register or by hardware when the interface is disabled (PE=0).

The SCL line is not held low while BERR=1.

0: No misplaced Start or Stop condition

1: Misplaced Start or Stop condition

**Bit 0 = GCAL General Call (Slave mode).**

This bit is set by hardware when a general call address is detected on the bus while ENGC=1. It is cleared by hardware detecting a Stop condition (STOPF=1) or when the interface is disabled (PE=0).

0: No general call address detected on bus

1: general call address detected on bus

**I<sup>2</sup>C BUS INTERFACE (Cont'd)**

**I<sup>2</sup>C CLOCK CONTROL REGISTER (CCR)**

Read / Write

Reset Value: 0000 0000 (00h)

|       |     |     |     |     |     |     |     |   |
|-------|-----|-----|-----|-----|-----|-----|-----|---|
| 7     |     |     |     |     |     |     |     | 0 |
| FM/SM | CC6 | CC5 | CC4 | CC3 | CC2 | CC1 | CC0 |   |

Bit 7 = **FM/SM** *Fast/Standard I<sup>2</sup>C mode*.  
 This bit is set and cleared by software. It is not cleared when the interface is disabled (PE=0).  
 0: Standard I<sup>2</sup>C mode  
 1: Fast I<sup>2</sup>C mode

Bits 6:0 = **CC6-CC0** *7-bit clock divider*.  
 These bits select the speed of the bus (F<sub>SCL</sub>) depending on the I<sup>2</sup>C mode. They are not cleared when the interface is disabled (PE=0).

- Standard mode (FM/SM=0): F<sub>SCL</sub> ≤ 100kHz  

$$F_{SCL} = f_{CPU} / (2x([CC6..CC0]+2))$$
- Fast mode (FM/SM=1): F<sub>SCL</sub> > 100kHz  

$$F_{SCL} = f_{CPU} / (3x([CC6..CC0]+2))$$

Note: The programmed F<sub>SCL</sub> assumes no load on SCL and SDA lines.

**I<sup>2</sup>C DATA REGISTER (DR)**

Read / Write

Reset Value: 0000 0000 (00h)

|    |    |    |    |    |    |    |    |   |
|----|----|----|----|----|----|----|----|---|
| 7  |    |    |    |    |    |    |    | 0 |
| D7 | D6 | D5 | D4 | D3 | D2 | D1 | D0 |   |

Bits 7:0 = **D7-D0** *8-bit Data Register*.  
 These bits contains the byte to be received or transmitted on the bus.

- Transmitter mode: Byte transmission start automatically when the software writes in the DR register.
- Receiver mode: the first data byte is received automatically in the DR register using the least significant bit of the address.  
 Then, the next data bytes are received one by one after reading the DR register.

**I<sup>2</sup>C OWN ADDRESS REGISTER (OAR)**

Read / Write

Reset Value: 0000 0000 (00h)

|      |      |      |      |      |      |      |      |   |
|------|------|------|------|------|------|------|------|---|
| 7    |      |      |      |      |      |      |      | 0 |
| ADD7 | ADD6 | ADD5 | ADD4 | ADD3 | ADD2 | ADD1 | ADD0 |   |

Bits 7:1 = **ADD7-ADD1** *Interface address*.  
 These bits define the I<sup>2</sup>C bus address of the interface. They are not cleared when the interface is disabled (PE=0).

Bit 0 = **ADD0** *Address direction bit*.  
 This bit is don't care, the interface acknowledges either 0 or 1. It is not cleared when the interface is disabled (PE=0).

Note: Address 01h is always ignored.

Table 21. I<sup>2</sup>C Register Map

| Address<br>(Hex.) | Register<br>Name | 7            | 6          | 5   | 4    | 3     | 2    | 1    | 0    |
|-------------------|------------------|--------------|------------|-----|------|-------|------|------|------|
| 39                | DR               | DR7 .. DR0   |            |     |      |       |      |      |      |
| 3B                | OAR              | ADD7 .. ADD0 |            |     |      |       |      |      |      |
| 3C                | CCR              | FM/SM        | CC6 .. CC0 |     |      |       |      |      |      |
| 3D                | SR2              |              |            |     | AF   | STOPF | ARLO | BERR | GCAL |
| 3E                | SR1              | EVF          |            | TRA | BUSY | BTF   | ADSL | M/SL | SB   |
| 3F                | CR               |              |            | PE  | ENGC | START | ACK  | STOP | ITE  |

## 11.6 8-BIT A/D CONVERTER (ADC)

### 11.6.1 Introduction

The on-chip Analog to Digital Converter (ADC) peripheral is a 8-bit, successive approximation converter with internal sample and hold circuitry. This peripheral has up to 16 multiplexed analog input channels (refer to device pin out description) that allow the peripheral to convert the analog voltage levels from up to 16 different sources.

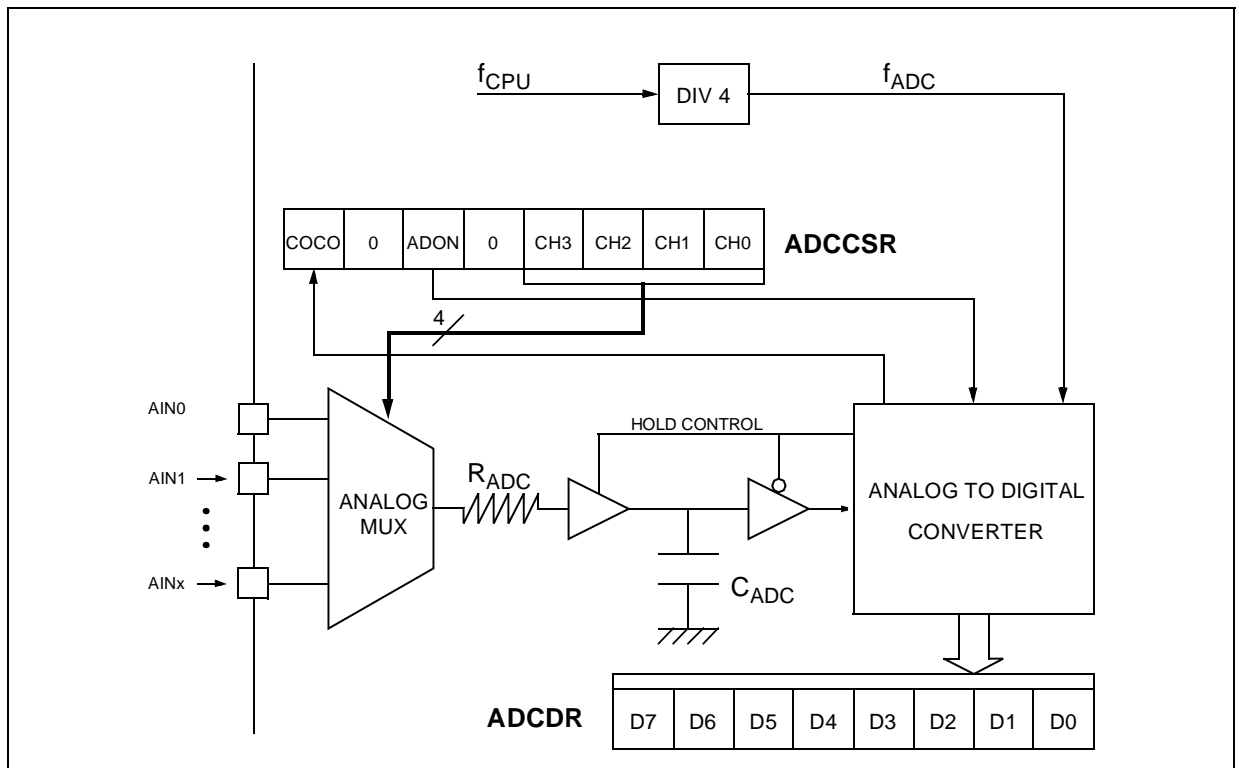
The result of the conversion is stored in a 8-bit Data Register. The A/D converter is controlled through a Control/Status Register.

### 11.6.2 Main Features

- 8-bit conversion
- Up to 16 channels with multiplexed input
- Linear successive approximation
- Data register (DR) which contains the results
- Conversion complete status flag
- On/off bit (to reduce consumption)

The block diagram is shown in [Figure 43](#).

**Figure 43. ADC Block Diagram**



### 11.6.3 Functional Description

#### 11.6.3.1 Analog Power Supply

$V_{DDA}$  and  $V_{SSA}$  are the high and low level reference voltage pins. In some devices (refer to device pin out description) they are internally connected to the  $V_{DD}$  and  $V_{SS}$  pins.

Conversion accuracy may therefore be impacted by voltage drops and noise in the event of heavily loaded or badly decoupled power supply lines.

See electrical characteristics section for more details.

## 8-BIT A/D CONVERTER (ADC) (Cont'd)

### 11.6.3.2 Digital A/D Conversion Result

The conversion is monotonic, meaning that the result never decreases if the analog input does not and never increases if the analog input does not.

If the input voltage ( $V_{AIN}$ ) is greater than or equal to  $V_{DDA}$  (high-level voltage reference) then the conversion result in the DR register is FFh (full scale) without overflow indication.

If input voltage ( $V_{AIN}$ ) is lower than or equal to  $V_{SSA}$  (low-level voltage reference) then the conversion result in the DR register is 00h.

The A/D converter is linear and the digital result of the conversion is stored in the ADCDR register. The accuracy of the conversion is described in the parametric section.

$R_{AIN}$  is the maximum recommended impedance for an analog input signal. If the impedance is too high, this will result in a loss of accuracy due to leakage and sampling not being completed in the allotted time.

### 11.6.3.3 A/D Conversion Phases

The A/D conversion is based on two conversion phases as shown in Figure 44:

- Sample capacitor loading [duration:  $t_{LOAD}$ ]  
During this phase, the  $V_{AIN}$  input voltage to be measured is loaded into the  $C_{ADC}$  sample capacitor.
- A/D conversion [duration:  $t_{CONV}$ ]  
During this phase, the A/D conversion is computed (8 successive approximations cycles) and the  $C_{ADC}$  sample capacitor is disconnected from the analog input pin to get the optimum analog to digital conversion accuracy.

While the ADC is on, these two phases are continuously repeated.

At the end of each conversion, the sample capacitor is kept loaded with the previous measurement load. The advantage of this behaviour is that it minimizes the current consumption on the analog pin in case of single input channel measurement.

### 11.6.3.4 Software Procedure

Refer to the control/status register (CSR) and data register (DR) in Section 11.6.6 for the bit definitions and to Figure 44 for the timings.

### ADC Configuration

The total duration of the A/D conversion is 12 ADC clock periods ( $1/f_{ADC}=4/f_{CPU}$ ).

The analog input ports must be configured as input, no pull-up, no interrupt. Refer to the «I/O ports» chapter. Using these pins as analog inputs does not affect the ability of the port to be read as a logic input.

In the CSR register:

- Select the CH[3:0] bits to assign the analog channel to be converted.

### ADC Conversion

In the CSR register:

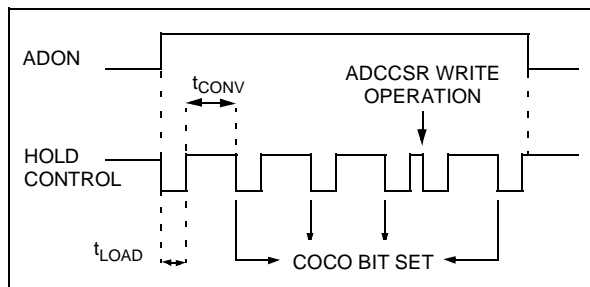
- Set the ADON bit to enable the A/D converter and to start the first conversion. From this time on, the ADC performs a continuous conversion of the selected channel.

When a conversion is complete

- The COCO bit is set by hardware.
- No interrupt is generated.
- The result is in the DR register and remains valid until the next conversion has ended.

A write to the CSR register (with ADON set) aborts the current conversion, resets the COCO bit and starts a new conversion.

Figure 44. ADC Conversion Timings



### 11.6.4 Low Power Modes

| Mode | Description   |
|------|---|
| WAIT | No effect on A/D Converter  |
| HALT | A/D Converter disabled.<br>After wakeup from Halt mode, the A/D Converter requires a stabilisation time before accurate conversions can be performed. |

**Note:** The A/D converter may be disabled by resetting the ADON bit. This feature allows reduced power consumption when no conversion is needed and between single shot conversions.

### 11.6.5 Interrupts

None

**8-BIT A/D CONVERTER (ADC) (Cont'd)**

**11.6.6 Register Description**

**CONTROL/STATUS REGISTER (CSR)**

Read/Write

Reset Value: 0000 0000 (00h)

|      |   |      |   |     |     |     |     |
|------|---|------|---|-----|-----|-----|-----|
| 7    |   |      |   |     |     |     | 0   |
| COCO | 0 | ADON | 0 | CH3 | CH2 | CH1 | CH0 |

Bit 7 = **COCO** *Conversion Complete*  
 This bit is set by hardware. It is cleared by software reading the result in the DR register or writing to the CSR register.  
 0: Conversion is not complete  
 1: Conversion can be read from the DR register

Bit 6 = **Reserved.** *must always be cleared.*

Bit 5 = **ADON** *A/D Converter On*  
 This bit is set and cleared by software.  
 0: A/D converter is switched off  
 1: A/D converter is switched on

Bit 4 = **Reserved.** *must always be cleared.*

Bits 3:0 = **CH[3:0]** *Channel Selection*  
 These bits are set and cleared by software. They select the analog input to convert.

| Channel Pin* | CH3 | CH2 | CH1 | CH0 |
|--------------|-----|-----|-----|-----|
| AIN0         | 0   | 0   | 0   | 0   |
| AIN1         | 0   | 0   | 0   | 1   |
| AIN2         | 0   | 0   | 1   | 0   |
| AIN3         | 0   | 0   | 1   | 1   |
| AIN4         | 0   | 1   | 0   | 0   |
| AIN5         | 0   | 1   | 0   | 1   |
| AIN6         | 0   | 1   | 1   | 0   |
| AIN7         | 0   | 1   | 1   | 1   |
| AIN8         | 1   | 0   | 0   | 0   |
| AIN9         | 1   | 0   | 0   | 1   |
| AIN10        | 1   | 0   | 1   | 0   |
| AIN11        | 1   | 0   | 1   | 1   |
| AIN12        | 1   | 1   | 0   | 0   |
| AIN13        | 1   | 1   | 0   | 1   |
| AIN14        | 1   | 1   | 1   | 0   |
| AIN15        | 1   | 1   | 1   | 1   |

**\*Note:** The number of pins AND the channel selection varies according to the device. Refer to the device pinout.

**DATA REGISTER (DR)**

Read Only

Reset Value: 0000 0000 (00h)

|    |    |    |    |    |    |    |    |
|----|----|----|----|----|----|----|----|
| 7  |    |    |    |    |    |    | 0  |
| D7 | D6 | D5 | D4 | D3 | D2 | D1 | D0 |

Bits 7:0 = **D[7:0]** *Analog Converted Value*  
 This register contains the converted analog value in the range 00h to FFh.

**Note:** Reading this register reset the COCO flag.



**8-BIT A/D CONVERTER (ADC)** (Cont'd)**Table 22. ADC Register Map**

| Address<br>(Hex.) | Register<br>Name | 7          | 6 | 5    | 4 | 3 | 2   | 1   | 0   |
|-------------------|------------------|------------|---|------|---|---|-----|-----|-----|
| 0Ah               | DR               | AD7 .. AD0 |   |      |   |   |     |     |     |
| 0Bh               | CSR              | COCO       | 0 | ADON | 0 | 0 | CH2 | CH1 | CH0 |

## 12 INSTRUCTION SET

### 12.1 ST7 ADDRESSING MODES

The ST7 Core features 17 different addressing modes which can be classified in 7 main groups:

| Addressing Mode | Example         |
|-----------------|-----------------|
| Inherent        | nop             |
| Immediate       | ld A,#\$55      |
| Direct          | ld A,\$55       |
| Indexed         | ld A,(\$55,X)   |
| Indirect        | ld A,([\$55],X) |
| Relative        | jrne loop       |
| Bit operation   | bset byte,#5    |

The ST7 Instruction set is designed to minimize the number of bytes required per instruction: To do

**Table 23. ST7 Addressing Mode Overview**

| Mode      |          |          | Syntax              | Destination/<br>Source      | Pointer<br>Address<br>(Hex.) | Pointer<br>Size<br>(Hex.) | Length<br>(Bytes)                              |
|-----------|----------|----------|---------------------|-----------------------------|------------------------------|---------------------------|--|
| Inherent  |          |          | nop                 |                             |                              |                           | + 0  |
| Immediate |          |          | ld A,#\$55          |                             |                              |                           | + 1  |
| Short     | Direct   |          | ld A,\$10           | 00..FF                      |                              |                           | + 1  |
| Long      | Direct   |          | ld A,\$1000         | 0000..FFFF                  |                              |                           | + 2  |
| No Offset | Direct   | Indexed  | ld A,(X)            | 00..FF                      |                              |                           | + 0 (with X register)<br>+ 1 (with Y register) |
| Short     | Direct   | Indexed  | ld A,(\$10,X)       | 00..1FE                     |                              |                           | + 1  |
| Long      | Direct   | Indexed  | ld A,(\$1000,X)     | 0000..FFFF                  |                              |                           | + 2  |
| Short     | Indirect |          | ld A,[\$10]         | 00..FF                      | 00..FF                       | byte                      | + 2  |
| Long      | Indirect |          | ld A,[\$10.w]       | 0000..FFFF                  | 00..FF                       | word                      | + 2  |
| Short     | Indirect | Indexed  | ld A,([\$10],X)     | 00..1FE                     | 00..FF                       | byte                      | + 2  |
| Long      | Indirect | Indexed  | ld A,([\$10.w],X)   | 0000..FFFF                  | 00..FF                       | word                      | + 2  |
| Relative  | Direct   |          | jrne loop           | PC-128/PC+127 <sup>1)</sup> |                              |                           | + 1  |
| Relative  | Indirect |          | jrne [\$10]         | PC-128/PC+127 <sup>1)</sup> | 00..FF                       | byte                      | + 2  |
| Bit       | Direct   |          | bset \$10,#7        | 00..FF                      |                              |                           | + 1  |
| Bit       | Indirect |          | bset [\$10],#7      | 00..FF                      | 00..FF                       | byte                      | + 2  |
| Bit       | Direct   | Relative | btjt \$10,#7,skip   | 00..FF                      |                              |                           | + 2  |
| Bit       | Indirect | Relative | btjt [\$10],#7,skip | 00..FF                      | 00..FF                       | byte                      | + 3  |

**Note 1.** At the time the instruction is executed, the Program Counter (PC) points to the instruction following JRxx.

so, most of the addressing modes may be subdivided in two sub-modes called long and short:

- Long addressing mode is more powerful because it can use the full 64 Kbyte address space, however it uses more bytes and more CPU cycles.
- Short addressing mode is less powerful because it can generally only access page zero (0000h - 00FFh range), but the instruction size is more compact, and faster. All memory to memory instructions use short addressing modes only (CLR, CPL, NEG, BSET, BRES, BTJT, BTJF, INC, DEC, RLC, RRC, SLL, SRL, SRA, SWAP)

The ST7 Assembler optimizes the use of long and short addressing modes.

## ST7 ADDRESSING MODES (Cont'd)

### 12.1.1 Inherent

All Inherent instructions consist of a single byte. The opcode fully specifies all the required information for the CPU to process the operation.

| Inherent Instruction    | Function                            |
|-------------------------|-------------------------------------|
| NOP                     | No operation                        |
| TRAP                    | S/W Interrupt                       |
| WFI                     | Wait For Interrupt (Low Power Mode) |
| HALT                    | Halt Oscillator (Lowest Power Mode) |
| RET                     | Sub-routine Return                  |
| IRET                    | Interrupt Sub-routine Return        |
| SIM                     | Set Interrupt Mask                  |
| RIM                     | Reset Interrupt Mask                |
| SCF                     | Set Carry Flag                      |
| RCF                     | Reset Carry Flag                    |
| RSP                     | Reset Stack Pointer                 |
| LD                      | Load                                |
| CLR                     | Clear                               |
| PUSH/POP                | Push/Pop to/from the stack          |
| INC/DEC                 | Increment/Decrement                 |
| TNZ                     | Test Negative or Zero               |
| CPL, NEG                | 1 or 2 Complement                   |
| MUL                     | Byte Multiplication                 |
| SLL, SRL, SRA, RLC, RRC | Shift and Rotate Operations         |
| SWAP                    | Swap Nibbles                        |

### 12.1.2 Immediate

Immediate instructions have two bytes, the first byte contains the opcode, the second byte contains the operand value.

| Immediate Instruction | Function              |
|-----------------------|-----------------------|
| LD                    | Load                  |
| CP                    | Compare               |
| BCP                   | Bit Compare           |
| AND, OR, XOR          | Logical Operations    |
| ADC, ADD, SUB, SBC    | Arithmetic Operations |

### 12.1.3 Direct

In Direct instructions, the operands are referenced by their memory address.

The direct addressing mode consists of two sub-modes:

#### Direct (short)

The address is a byte, thus requires only one byte after the opcode, but only allows 00 - FF addressing space.

#### Direct (long)

The address is a word, thus allowing 64 Kbyte addressing space, but requires 2 bytes after the opcode.

### 12.1.4 Indexed (No Offset, Short, Long)

In this mode, the operand is referenced by its memory address, which is defined by the unsigned addition of an index register (X or Y) with an offset.

The indirect addressing mode consists of three sub-modes:

#### Indexed (No Offset)

There is no offset, (no extra byte after the opcode), and allows 00 - FF addressing space.

#### Indexed (Short)

The offset is a byte, thus requires only one byte after the opcode and allows 00 - 1FE addressing space.

#### Indexed (long)

The offset is a word, thus allowing 64 Kbyte addressing space and requires 2 bytes after the opcode.

### 12.1.5 Indirect (Short, Long)

The required data byte to do the operation is found by its memory address, located in memory (pointer).

The pointer address follows the opcode. The indirect addressing mode consists of two sub-modes:

#### Indirect (short)

The pointer address is a byte, the pointer size is a byte, thus allowing 00 - FF addressing space, and requires 1 byte after the opcode.

#### Indirect (long)

The pointer address is a byte, the pointer size is a word, thus allowing 64 Kbyte addressing space, and requires 1 byte after the opcode.

**ST7 ADDRESSING MODES (Cont'd)****12.1.6 Indirect Indexed (Short, Long)**

This is a combination of indirect and short indexed addressing modes. The operand is referenced by its memory address, which is defined by the unsigned addition of an index register value (X or Y) with a pointer value located in memory. The pointer address follows the opcode.

The indirect indexed addressing mode consists of two sub-modes:

**Indirect Indexed (Short)**

The pointer address is a byte, the pointer size is a byte, thus allowing 00 - 1FE addressing space, and requires 1 byte after the opcode.

**Indirect Indexed (Long)**

The pointer address is a byte, the pointer size is a word, thus allowing 64 Kbyte addressing space, and requires 1 byte after the opcode.

**Table 24. Instructions Supporting Direct, Indexed, Indirect and Indirect Indexed Addressing Modes**

| Long and Short Instructions | Function                                   |
|-----------------------------|--|
| LD                          | Load                                       |
| CP                          | Compare                                    |
| AND, OR, XOR                | Logical Operations                         |
| ADC, ADD, SUB, SBC          | Arithmetic Addition/subtraction operations |
| BCP                         | Bit Compare                                |

| Short Instructions Only | Function                     |
|-------------------------|------------------------------|
| CLR                     | Clear                        |
| INC, DEC                | Increment/Decrement          |
| TNZ                     | Test Negative or Zero        |
| CPL, NEG                | 1 or 2 Complement            |
| BSET, BRES              | Bit Operations               |
| BTJT, BTJF              | Bit Test and Jump Operations |
| SLL, SRL, SRA, RLC, RRC | Shift and Rotate Operations  |

|          |                         |
|----------|-------------------------|
| SWAP     | Swap Nibbles            |
| CALL, JP | Call or Jump subroutine |

**12.1.7 Relative Mode (Direct, Indirect)**

This addressing mode is used to modify the PC register value by adding an 8-bit signed offset to it.

| Available Relative Direct/Indirect Instructions | Function         |
|---|------------------|
| JRxx  | Conditional Jump |
| CALLR   | Call Relative    |

The relative addressing mode consists of two sub-modes:

**Relative (Direct)**

The offset follows the opcode.

**Relative (Indirect)**

The offset is defined in memory, of which the address follows the opcode.

## 12.2 INSTRUCTION GROUPS

The ST7 family devices use an Instruction Set consisting of 63 instructions. The instructions may be subdivided into 13 main groups as illustrated in the following table:

|                                  |      |      |      |      |      |       |     |     |
|----------------------------------|------|------|------|------|------|-------|-----|-----|
| Load and Transfer                | LD   | CLR  |      |      |      |       |     |     |
| Stack operation                  | PUSH | POP  | RSP  |      |      |       |     |     |
| Increment/Decrement              | INC  | DEC  |      |      |      |       |     |     |
| Compare and Tests                | CP   | TNZ  | BCP  |      |      |       |     |     |
| Logical operations               | AND  | OR   | XOR  | CPL  | NEG  |       |     |     |
| Bit Operation                    | BSET | BRES |      |      |      |       |     |     |
| Conditional Bit Test and Branch  | BTJT | BTJF |      |      |      |       |     |     |
| Arithmetic operations            | ADC  | ADD  | SUB  | SBC  | MUL  |       |     |     |
| Shift and Rotates                | SLL  | SRL  | SRA  | RLC  | RRC  | SWAP  | SLA |     |
| Unconditional Jump or Call       | JRA  | JRT  | JRF  | JP   | CALL | CALLR | NOP | RET |
| Conditional Branch               | JRxx |      |      |      |      |       |     |     |
| Interrupt management             | TRAP | WFI  | HALT | IRET |      |       |     |     |
| Condition Code Flag modification | SIM  | RIM  | SCF  | RCF  |      |       |     |     |

### Using a pre-byte

The instructions are described with one to four bytes.

In order to extend the number of available opcodes for an 8-bit CPU (256 opcodes), three different prebyte opcodes are defined. These prebytes modify the meaning of the instruction they precede.

The whole instruction becomes:

- PC-2 End of previous instruction
- PC-1 Prebyte
- PC Opcode
- PC+1 Additional word (0 to 2) according to the number of bytes required to compute the effective address

These prebytes enable instruction in Y as well as indirect addressing modes to be implemented. They precede the opcode of the instruction in X or the instruction using direct addressing mode. The prebytes are:

- PDY 90 Replace an X based instruction using immediate, direct, indexed, or inherent addressing mode by a Y one.
- PIX 92 Replace an instruction using direct, direct bit, or direct relative addressing mode to an instruction using the corresponding indirect addressing mode. It also changes an instruction using X indexed addressing mode to an instruction using indirect X indexed addressing mode.
- PIY 91 Replace an instruction using X indirect indexed addressing mode by a Y one.

## INSTRUCTION GROUPS (Cont'd)

| Mnemo | Description                | Function/Example    | Dst    | Src | H | I | N | Z | C |
|-------|----------------------------|---------------------|--------|-----|---|---|---|---|---|
| ADC   | Add with Carry             | $A = A + M + C$     | A      | M   | H |   | N | Z | C |
| ADD   | Addition                   | $A = A + M$         | A      | M   | H |   | N | Z | C |
| AND   | Logical And                | $A = A . M$         | A      | M   |   |   | N | Z |   |
| BCP   | Bit compare A, Memory      | tst (A . M)         | A      | M   |   |   | N | Z |   |
| BRES  | Bit Reset                  | bres Byte, #3       | M      |     |   |   |   |   |   |
| BSET  | Bit Set                    | bset Byte, #3       | M      |     |   |   |   |   |   |
| BTJF  | Jump if bit is false (0)   | btjf Byte, #3, Jmp1 | M      |     |   |   |   |   | C |
| BTJT  | Jump if bit is true (1)    | btjt Byte, #3, Jmp1 | M      |     |   |   |   |   | C |
| CALL  | Call subroutine            |                     |        |     |   |   |   |   |   |
| CALLR | Call subroutine relative   |                     |        |     |   |   |   |   |   |
| CLR   | Clear                      |                     | reg, M |     |   |   | 0 | 1 |   |
| CP    | Arithmetic Compare         | tst(Reg - M)        | reg    | M   |   |   | N | Z | C |
| CPL   | One Complement             | $A = FFH - A$       | reg, M |     |   |   | N | Z | 1 |
| DEC   | Decrement                  | dec Y               | reg, M |     |   |   | N | Z |   |
| HALT  | Halt                       |                     |        |     |   | 0 |   |   |   |
| IRET  | Interrupt routine return   | Pop CC, A, X, PC    |        |     | H | I | N | Z | C |
| INC   | Increment                  | inc X               | reg, M |     |   |   | N | Z |   |
| JP    | Absolute Jump              | jp [TBL.w]          |        |     |   |   |   |   |   |
| JRA   | Jump relative always       |                     |        |     |   |   |   |   |   |
| JRT   | Jump relative              |                     |        |     |   |   |   |   |   |
| JRF   | Never jump                 | jrf *               |        |     |   |   |   |   |   |
| JRIH  | Jump if ext. interrupt = 1 |                     |        |     |   |   |   |   |   |
| JRIL  | Jump if ext. interrupt = 0 |                     |        |     |   |   |   |   |   |
| JRH   | Jump if H = 1              | H = 1 ?             |        |     |   |   |   |   |   |
| JRNH  | Jump if H = 0              | H = 0 ?             |        |     |   |   |   |   |   |
| JRM   | Jump if I = 1              | I = 1 ?             |        |     |   |   |   |   |   |
| JRNM  | Jump if I = 0              | I = 0 ?             |        |     |   |   |   |   |   |
| JRMI  | Jump if N = 1 (minus)      | N = 1 ?             |        |     |   |   |   |   |   |
| JRPL  | Jump if N = 0 (plus)       | N = 0 ?             |        |     |   |   |   |   |   |
| JREQ  | Jump if Z = 1 (equal)      | Z = 1 ?             |        |     |   |   |   |   |   |
| JRNE  | Jump if Z = 0 (not equal)  | Z = 0 ?             |        |     |   |   |   |   |   |
| JRC   | Jump if C = 1              | C = 1 ?             |        |     |   |   |   |   |   |
| JRNC  | Jump if C = 0              | C = 0 ?             |        |     |   |   |   |   |   |
| JRULT | Jump if C = 1              | Unsigned <          |        |     |   |   |   |   |   |
| JRUGE | Jump if C = 0              | Jmp if unsigned >=  |        |     |   |   |   |   |   |
| JRUGT | Jump if (C + Z = 0)        | Unsigned >          |        |     |   |   |   |   |   |

## INSTRUCTION GROUPS (Cont'd)

| Mnemo | Description            | Function/Example        | Dst       | Src     | H | I | N | Z | C |
|-------|------------------------|-------------------------|-----------|---------|---|---|---|---|---|
| JRULE | Jump if (C + Z = 1)    | Unsigned <=             |           |         |   |   |   |   |   |
| LD    | Load                   | dst <= src              | reg, M    | M, reg  |   |   | N | Z |   |
| MUL   | Multiply               | X, A = X * A            | A, X, Y   | X, Y, A | 0 |   |   |   | 0 |
| NEG   | Negate (2's compl)     | neg \$10                | reg, M    |         |   |   | N | Z | C |
| NOP   | No Operation           |                         |           |         |   |   |   |   |   |
| OR    | OR operation           | A = A + M               | A         | M       |   |   | N | Z |   |
| POP   | Pop from the Stack     | pop reg<br>pop CC       | reg<br>CC | M<br>M  | H | I | N | Z | C |
| PUSH  | Push onto the Stack    | push Y                  | M         | reg, CC |   |   |   |   |   |
| RCF   | Reset carry flag       | C = 0                   |           |         |   |   |   |   | 0 |
| RET   | Subroutine Return      |                         |           |         |   |   |   |   |   |
| RIM   | Enable Interrupts      | I = 0                   |           |         |   | 0 |   |   |   |
| RLC   | Rotate left true C     | C <= Dst <= C           | reg, M    |         |   |   | N | Z | C |
| RRC   | Rotate right true C    | C => Dst => C           | reg, M    |         |   |   | N | Z | C |
| RSP   | Reset Stack Pointer    | S = Max allowed         |           |         |   |   |   |   |   |
| SBC   | Subtract with Carry    | A = A - M - C           | A         | M       |   |   | N | Z | C |
| SCF   | Set carry flag         | C = 1                   |           |         |   |   |   |   | 1 |
| SIM   | Disable Interrupts     | I = 1                   |           |         |   | 1 |   |   |   |
| SLA   | Shift left Arithmetic  | C <= Dst <= 0           | reg, M    |         |   |   | N | Z | C |
| SLL   | Shift left Logic       | C <= Dst <= 0           | reg, M    |         |   |   | N | Z | C |
| SRL   | Shift right Logic      | 0 => Dst => C           | reg, M    |         |   |   | 0 | Z | C |
| SRA   | Shift right Arithmetic | Dst7 => Dst => C        | reg, M    |         |   |   | N | Z | C |
| SUB   | Subtraction            | A = A - M               | A         | M       |   |   | N | Z | C |
| SWAP  | SWAP nibbles           | Dst[7..4] <=> Dst[3..0] | reg, M    |         |   |   | N | Z |   |
| TNZ   | Test for Neg & Zero    | tnz  b 1                |           |         |   |   | N | Z |   |
| TRAP  | S/W trap               | S/W interrupt           |           |         |   | 1 |   |   |   |
| WFI   | Wait for Interrupt     |                         |           |         |   | 0 |   |   |   |
| XOR   | Exclusive OR           | A = A XOR M             | A         | M       |   |   | N | Z |   |

## 13 ELECTRICAL CHARACTERISTICS

### 13.1 PARAMETER CONDITIONS

Unless otherwise specified, all voltages are referred to  $V_{SS}$ .

#### 13.1.1 Minimum and Maximum values

Unless otherwise specified the minimum and maximum values are guaranteed in the worst conditions of ambient temperature, supply voltage and frequencies by tests in production on 100% of the devices with an ambient temperature at  $T_A=25^\circ\text{C}$  and  $T_A=T_{A\text{max}}$  (given by the selected temperature range).

Data based on characterization results, design simulation and/or technology characteristics are indicated in the table footnotes and are not tested in production. Based on characterization, the minimum and maximum values refer to sample tests and represent the mean value plus or minus three times the standard deviation ( $\text{mean} \pm 3\sigma$ ).

#### 13.1.2 Typical values

Unless otherwise specified, typical data are based on  $T_A=25^\circ\text{C}$ ,  $V_{DD}=5\text{V}$ . They are given only as design guidelines and are not tested.

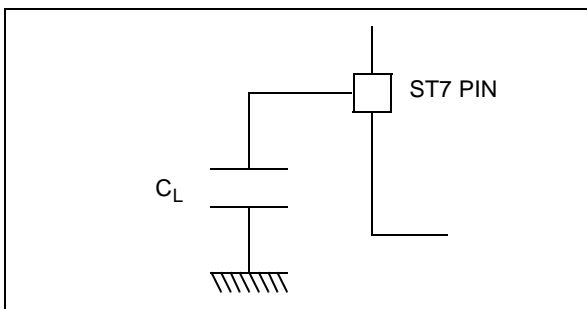
#### 13.1.3 Typical curves

Unless otherwise specified, all typical curves are given only as design guidelines and are not tested.

#### 13.1.4 Loading capacitor

The loading conditions used for pin parameter measurement are shown in [Figure 45](#).

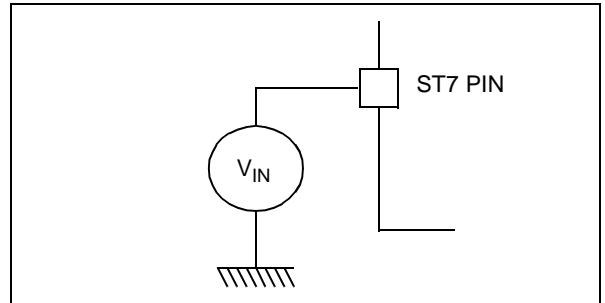
**Figure 45. Pin loading conditions**



#### 13.1.5 Pin input voltage

The input voltage measurement on a pin of the device is described in [Figure 46](#).

**Figure 46. Pin input voltage**





## 13.2 ABSOLUTE MAXIMUM RATINGS

Stresses above those listed as “absolute maximum ratings” may cause permanent damage to the device. This is a stress rating only and functional operation of the device under these condi-

tions is not implied. Exposure to maximum rating conditions for extended periods may affect device reliability.

### 13.2.1 Voltage Characteristics

| Symbol               | Ratings   | Maximum value                                      | Unit |
|----------------------|---|--|------|
| $V_{DD} - V_{SS}$    | Supply voltage                                      | 6.0  | V    |
| $V_{IN}^{(1) \& 2)}$ | Input voltage on true open drain pins               | $V_{SS}-0.3$ to 6.0                                |      |
|                      | Input voltage on any other pin                      | $V_{SS}-0.3$ to $V_{DD}+0.3$                       |      |
| $V_{ESD}(HBM)$       | Electro-static discharge voltage (Human Body Model) | See “Absolute Electrical Sensitivity” on page 105. |      |

### 13.2.2 Current Characteristics

| Symbol                     | Ratings  | Maximum value | Unit |
|----------------------------|--|---------------|------|
| $I_{VDD}$                  | Total current into $V_{DD}$ power lines (source) <sup>3)</sup>         | 80            | mA   |
| $I_{VSS}$                  | Total current out of $V_{SS}$ ground lines (sink) <sup>3)</sup>        | 80            |      |
| $I_{IO}$                   | Output current sunk by any standard I/O and control pin                | 25            |      |
|                            | Output current sunk by any high sink I/O pin                           | 50            |      |
|                            | Output current source by any I/Os and control pin                      | - 25          |      |
| $I_{INJ(PIN)}^{2) \& 4)}$  | Injected current on $V_{PP}$ pin                                       | TBD           |      |
|                            | Injected current on $\overline{RESET}$ pin                             | $\pm 5$       |      |
|                            | Injected current on OSCIN and OSCOUT pins                              | $\pm 5$       |      |
|                            | Injected current on any other pin <sup>5) \&amp; 6)</sup>              | TBD           |      |
| $\Sigma I_{INJ(PIN)}^{2)}$ | Total injected current (sum of all I/O and control pins) <sup>5)</sup> | $\pm 20$      |      |

#### Notes:

- Directly connecting the  $\overline{RESET}$  and I/O pins to  $V_{DD}$  or  $V_{SS}$  could damage the device if an unintentional internal reset is generated or an unexpected change of the I/O configuration occurs (for example, due to a corrupted program counter). To guarantee safe operation, this connection has to be done through a pull-up or pull-down resistor (typical: 4.7k $\Omega$  for  $\overline{RESET}$ , 10k $\Omega$  for I/Os). Unused I/O pins must be tied in the same way to  $V_{DD}$  or  $V_{SS}$  according to their reset configuration.
- When the current limitation is not possible, the  $V_{IN}$  absolute maximum rating must be respected, otherwise refer to  $I_{INJ(PIN)}$  specification. A positive injection is induced by  $V_{IN} > V_{DD}$  while a negative injection is induced by  $V_{IN} < V_{SS}$ .
- All power ( $V_{DD}$ ) and ground ( $V_{SS}$ ) lines must always be connected to the external supply.
- Negative injection disturbs the analog performance of the device. In particular, it induces leakage currents throughout the device including the analog inputs. To avoid undesirable effects on the analog functions, care must be taken:
  - Analog input pins must have a negative injection less than 0.8 mA (assuming that the impedance of the analog voltage is lower than the specified limits)
  - Pure digital pins must have a negative injection less than 1.6mA. In addition, it is recommended to inject the current as far as possible from the analog input pins.
- When several inputs are submitted to a current injection, the maximum  $\Sigma I_{INJ(PIN)}$  is the absolute sum of the positive and negative injected currents (instantaneous values). These results are based on characterisation with  $\Sigma I_{INJ(PIN)}$  maximum current injection on four I/O port pins of the device.
- True open drain I/O port pins do not accept positive injection.

### 13.2.3 Thermal Characteristics

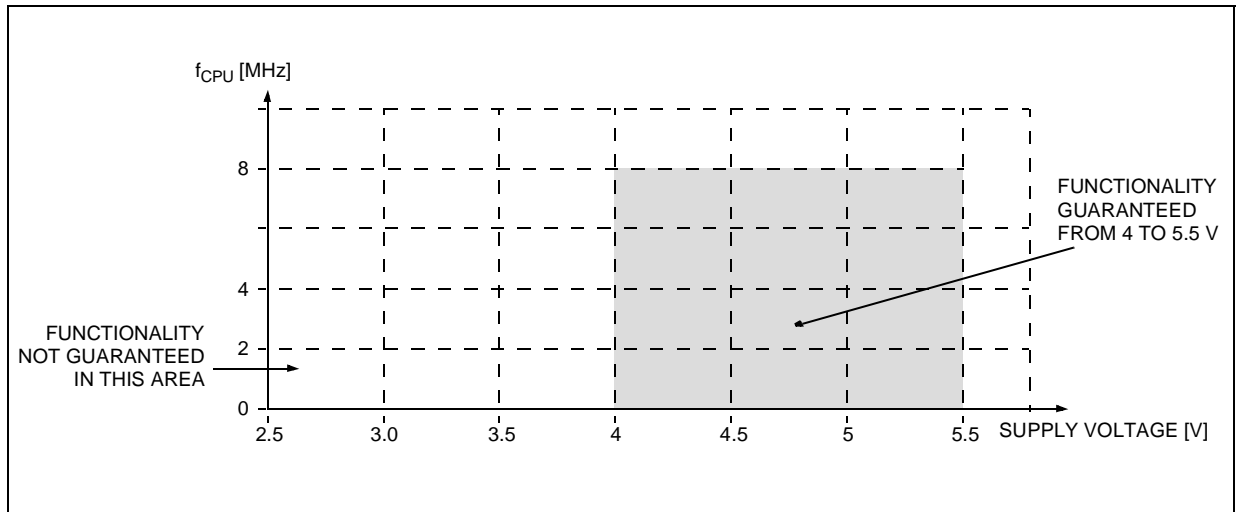
| Symbol    | Ratings                      | Value       | Unit        |
|-----------|------------------------------|-------------|-------------|
| $T_{STG}$ | Storage temperature range    | -65 to +150 | $^{\circ}C$ |
| $T_J$     | Maximum junction temperature | TBD         |             |

13.3 OPERATING CONDITIONS

13.3.1 General Operating Conditions

| Symbol           | Parameter                         | Conditions                | Min             | Typ | Max             | Unit |
|------------------|-----------------------------------|---------------------------|-----------------|-----|-----------------|------|
| V <sub>DD</sub>  | Operating Supply Voltage (No USB) | f <sub>CPU</sub> = 8 MHz  | 4               | 5   | 5.5             | V    |
| V <sub>DDA</sub> | Analog reference voltage          |                           | V <sub>DD</sub> |     | V <sub>DD</sub> |      |
| V <sub>SSA</sub> | Analog reference voltage          |                           | V <sub>SS</sub> |     | V <sub>SS</sub> |      |
| f <sub>CPU</sub> | Operating frequency               | f <sub>OSC</sub> = 24 MHz |                 |     | 8               | MHz  |
|                  |                                   | f <sub>OSC</sub> = 12 MHz |                 |     | 4               |      |
| T <sub>A</sub>   | Ambient temperature range         |                           | 0               |     | 70              | °C   |

Figure 47. f<sub>CPU</sub> Maximum Operating Frequency Versus V<sub>DD</sub> Supply Voltage



**OPERATING CONDITIONS** (Cont'd)**13.3.2 Operating Conditions with Low Voltage Detector (LVD)**

Subject to general operating conditions for  $V_{DD}$ ,  $f_{CPU}$ , and  $T_A$ . Refer to [Figure 9 on page 17](#).

| Symbol     | Parameter                                       | Conditions                     | Min | Typ <sup>1)</sup> | Max | Unit |
|------------|---|--------------------------------|-----|-------------------|-----|------|
| $V_{IT+}$  | Low Voltage Reset Threshold ( $V_{DD}$ rising)  | $V_{DD}$ Max. Variation 50V/ms | 3.6 | 3.7               | 3.8 | V    |
| $V_{IT-}$  | Low Voltage Reset Threshold ( $V_{DD}$ falling) | $V_{DD}$ Max. Variation 50V/ms | 3.3 | 3.5               | 3.7 | V    |
| $V_{hyst}$ | Hysteresis ( $V_{IT+} - V_{IT-}$ )              |                                | 180 | 200               | 220 | mV   |
| $V_{tPOR}$ | $V_{DD}$ rise time rate <sup>2)</sup>           |                                | 0.5 |                   | 50  | V/ms |

**Notes:**

1. Not tested, guaranteed by design.
2. The  $V_{DD}$  rise time rate condition is needed to insure a correct device power-on and LVD reset. Not tested in production.

### 13.4 SUPPLY CURRENT CHARACTERISTICS

The following current consumption specified for the ST7 functional operating modes over temperature range does not take into account the clock source current consumption. To get the total device consumption, the two current values must be

added (except for HALT mode for which the clock is stopped).

| Symbol                         | Parameter                                | Conditions                      | Typ <sup>1)</sup>         | Max              | Unit               |               |
|--------------------------------|--|---------------------------------|---------------------------|------------------|--------------------|---------------|
| $\Delta I_{DD}(\Delta T_A)$    | Supply current variation vs. temperature | Constant $V_{DD}$ and $f_{CPU}$ |                           | 10               | %                  |               |
| $I_{DD}$                       | CPU RUN mode                             | I/Os in input mode              | $f_{CPU} = 4 \text{ MHz}$ | 7.5              | 9 <sup>2)</sup>    | mA            |
|                                |  |                                 | $f_{CPU} = 8 \text{ MHz}$ | 12               | 13.5 <sup>2)</sup> |               |
|                                | CPU WAIT mode                            |                                 | $f_{CPU} = 4 \text{ MHz}$ | 6                | 7.5                | mA            |
|                                |  |                                 | $f_{CPU} = 8 \text{ MHz}$ | 8.5              | 9.5 <sup>2)</sup>  |               |
|                                | CPU HALT mode                            | with LVD                        |                           | 120              | 150 <sup>3)</sup>  | $\mu\text{A}$ |
| without LVD                    |  |                                 | 20                        | 30 <sup>3)</sup> |                    |               |
| USB Suspend mode <sup>4)</sup> |  |                                 | 120                       | 150              | $\mu\text{A}$      |               |

**Note 1:** Typical data are based on  $T_A=25^\circ\text{C}$  and not tested in production

**Note 2:** Oscillator and watchdog running.  
All others peripherals disabled.

**Note 3:** USB Transceiver and ADC are powered down.

**Note 4:** Low voltage reset function enabled.  
CPU in HALT mode.  
Current consumption of external pull-up (1.5Kohms to USBVCC) and pull-down (15Kohms to  $V_{SSA}$ ) not included.

Figure 48. Typ.  $I_{DD}$  in RUN at 4 and 8 MHz  $f_{CPU}$

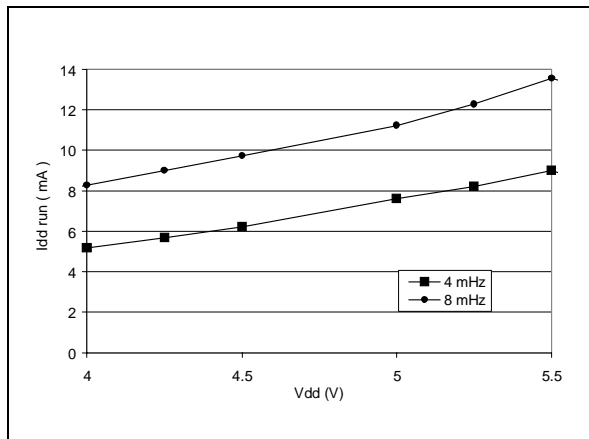
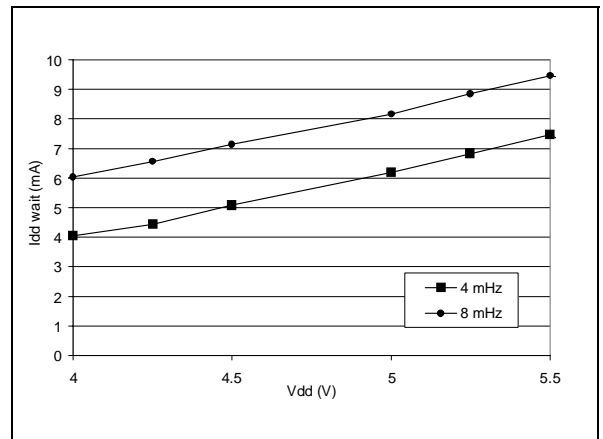


Figure 49. Typ.  $I_{DD}$  in WAIT at 4 and 8 MHz  $f_{CPU}$



### 13.5 CLOCK AND TIMING CHARACTERISTICS

Subject to general operating conditions for  $V_{DD}$ ,  $f_{CPU}$ , and  $T_A$ .

#### 13.5.1 General Timings

| Symbol        | Parameter  | Conditions            | Min  | Typ <sup>1)</sup> | Max  | Unit          |
|---------------|--|-----------------------|------|-------------------|------|---------------|
| $t_{C(INST)}$ | Instruction cycle time   | $f_{CPU}=8\text{MHz}$ | 2    | 3                 | 12   | $t_{CPU}$     |
|               |  |                       | 250  | 375               | 1500 | ns            |
| $t_{V(IT)}$   | Interrupt reaction time <sup>2)</sup><br>$t_{V(IT)} = \Delta t_{C(INST)} + 10 t_{CPU}$ | $f_{CPU}=8\text{MHz}$ | 10   |                   | 22   | $t_{CPU}$     |
|               |  |                       | 1.25 |                   | 2.75 | $\mu\text{s}$ |

1. Data based on typical application software.

2. Time measured between interrupt event and interrupt vector fetch.  $\Delta t_{C(INST)}$  is the number of  $t_{CPU}$  cycles needed to finish the current instruction execution.

#### 13.5.2 CONTROL TIMING CHARACTERISTICS

| CONTROL TIMINGS |   |                         |       |      |         |           |
|-----------------|---|-------------------------|-------|------|---------|-----------|
| Symbol          | Parameter   | Conditions              | Value |      |         | Unit      |
|                 |   |                         | Min   | Typ. | Max     |           |
| $f_{OSC}$       | Oscillator Frequency                                |                         |       |      | 24      | MHz       |
| $f_{CPU}$       | Operating Frequency                                 |                         |       |      | 8       | MHz       |
| $t_{RL}$        | External RESET<br>Input pulse Width                 |                         | 1.5   |      |         | $t_{CPU}$ |
| $t_{PORL}$      | Internal Power Reset Duration                       |                         | 514   |      |         | $t_{CPU}$ |
| $T_{DOGL}$      | Watchdog or Low Voltage Reset<br>Output Pulse Width |                         | 200   |      |         | ns        |
| $t_{DOG}$       | Watchdog Time-out                                   | $f_{CPU} = 8\text{MHz}$ | 49152 |      | 3145728 | $t_{CPU}$ |
|                 |   |                         | 6.144 |      | 393.216 | ms        |
| $t_{OXOV}$      | Crystal Oscillator<br>Start-up Time                 |                         | 20    | 30   | 40      | ms        |
| $t_{DDR}$       | Power up rise time                                  | from $V_{DD} = 0$ to 4V |       |      | 100     | ms        |

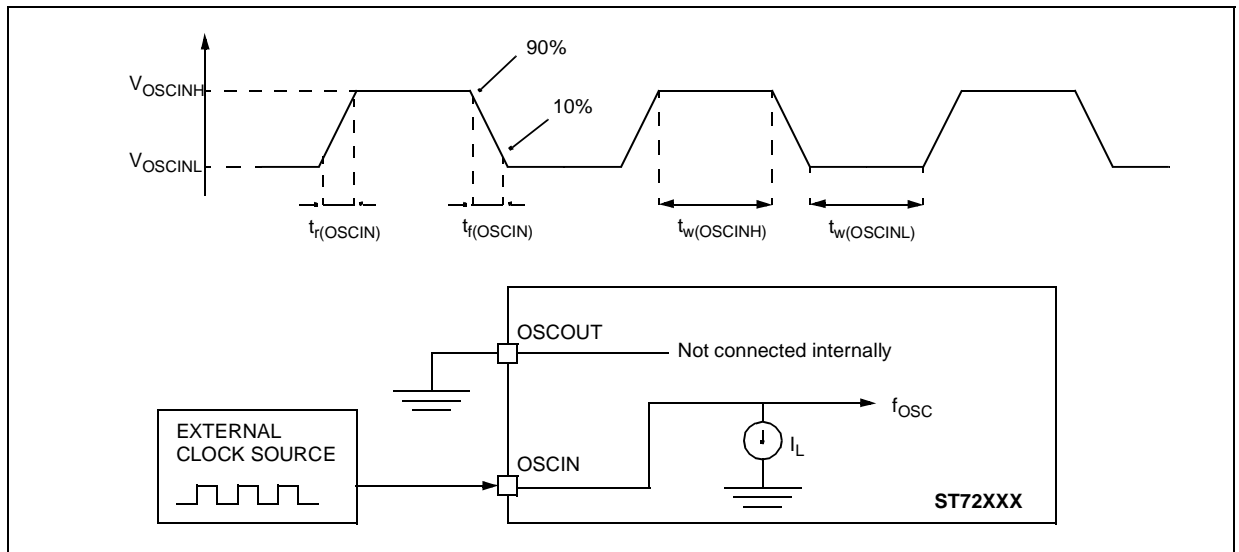
**Note 1:** The minimum period  $t_{LIL}$  should not be less than the number of cycle times it takes to execute the interrupt service routine plus 21 cycles.

**CLOCK AND TIMING CHARACTERISTICS (Cont'd)**

**13.5.3 External Clock Source**

| Symbol                         | Parameter                             | Conditions    | Min                              | Typ | Max                 | Unit    |
|--------------------------------|---------------------------------------|---------------|----------------------------------|-----|---------------------|---------|
| $V_{OSCINH}$                   | OSCIN input pin high level voltage    | see Figure 50 | $0.7 \times V_{DD}$              |     | $V_{DD}$            | V       |
| $V_{OSCINL}$                   | OSCIN input pin low level voltage     |               | $V_{SS}$                         |     | $0.3 \times V_{DD}$ |         |
| $t_w(OSCINH)$<br>$t_w(OSCINL)$ | OSCIN high or low time <sup>1)</sup>  |               | 15                               |     |                     | ns      |
| $t_r(OSCIN)$<br>$t_f(OSCIN)$   | OSCIN rise or fall time <sup>1)</sup> |               |                                  |     | 15                  |         |
| $I_L$                          | OSCx Input leakage current            |               | $V_{SS} \leq V_{IN} \leq V_{DD}$ |     |                     | $\pm 1$ |

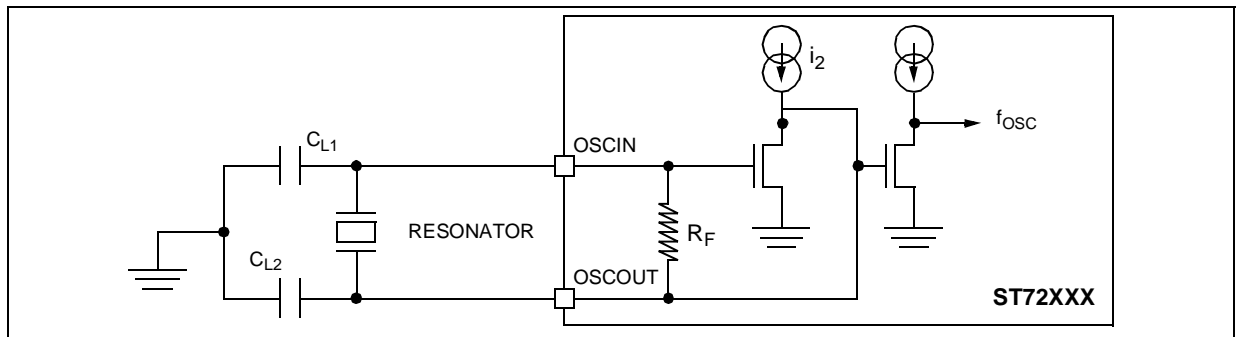
**Figure 50. Typical Application with an External Clock Source**



**Notes:**

1. Data based on design simulation and/or technology characteristics, not tested in production.

**Figure 51. Typical Application with a Crystal Resonator**



### 13.6 MEMORY CHARACTERISTICS

Subject to general operating conditions for  $f_{\text{CPU}}$ , and  $T_{\text{A}}$  unless otherwise specified.

#### 13.6.1 RAM and Hardware Registers

| Symbol          | Parameter                         | Conditions           | Min | Typ | Max | Unit |
|-----------------|-----------------------------------|----------------------|-----|-----|-----|------|
| $V_{\text{RM}}$ | Data retention mode <sup>1)</sup> | HALT mode (or RESET) | 2.0 |     |     | V    |

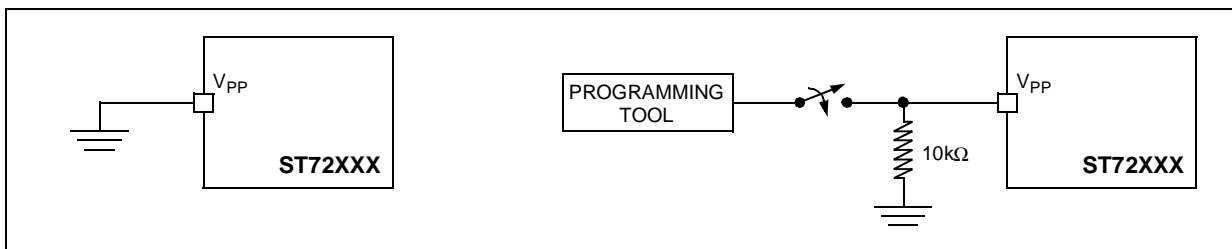
**Note 1:** Guaranteed by design. Not tested in production.

#### 13.6.2 Flash Memory

Operating Conditions:  $f_{\text{CPU}} = 8 \text{ MHz}$ .

| DUAL VOLTAGE FLASH MEMORY |   |  |      |     |      |               |   |
|---------------------------|---|--|------|-----|------|---------------|---|
| Symbol                    | Parameter                                   | Conditions   | Min  | Typ | Max  | Unit          |   |
| $f_{\text{CPU}}$          | Operating Frequency                         | Read mode  |      |     | 8    | MHz           |   |
|                           |   | Write / Erase mode,<br>$T_{\text{A}}=25^{\circ}\text{C}$ |      |     | 8    |               |   |
| $V_{\text{PP}}$           | Programming Voltage                         | $4.0\text{V} \leq V_{\text{DD}} \leq 5.5\text{V}$        | 11.4 |     | 12.6 | V             |   |
| $I_{\text{PP}}$           | $V_{\text{PP}}$ Current                     | Write / Erase  |      |     | 30   | mA            |   |
| $t_{\text{PROG}}$         | Byte Programming Time                       | $T_{\text{A}}=25^{\circ}\text{C}$                        |      | 330 |      | $\mu\text{s}$ |   |
|                           | Block Programming Time (16KB)               |  |      | 0.8 |      |               |   |
| $t_{\text{ERASE}}$        | Sector Erasing Time (sector 0 ; 4KB)        |  |      |     | 2    |               | s |
|                           | Sector Erasing Time (sector 1 ; 4KB)        |  |      |     | 2    |               |   |
|                           | Sector Erasing Time (sector 2 ; 8KB)        |  |      | 2.5 |      |               |   |
| $t_{\text{VPP}}$          | Internal $V_{\text{PP}}$ Stabilization Time |  |      | 10  |      | $\mu\text{s}$ |   |
| $t_{\text{RET}}$          | Data Retention                              | $T_{\text{A}} \leq 55^{\circ}\text{C}$                   | 20   |     |      | years         |   |
| $N_{\text{RW}}$           | Write Erase Cycles                          | $T_{\text{A}}=25^{\circ}\text{C}$                        | 100  |     |      | cycles        |   |

**Figure 52. Two typical Applications with  $V_{\text{PP}}$  Pin<sup>1)</sup>**



**Note 1:** When the ICP mode is not required by the application,  $V_{\text{PP}}$  pin must be tied to  $V_{\text{SS}}$ .

### 13.7 EMC CHARACTERISTICS

Susceptibility tests are performed on a sample basis during product characterization.

#### 13.7.1 Functional EMS

(Electro Magnetic Susceptibility)

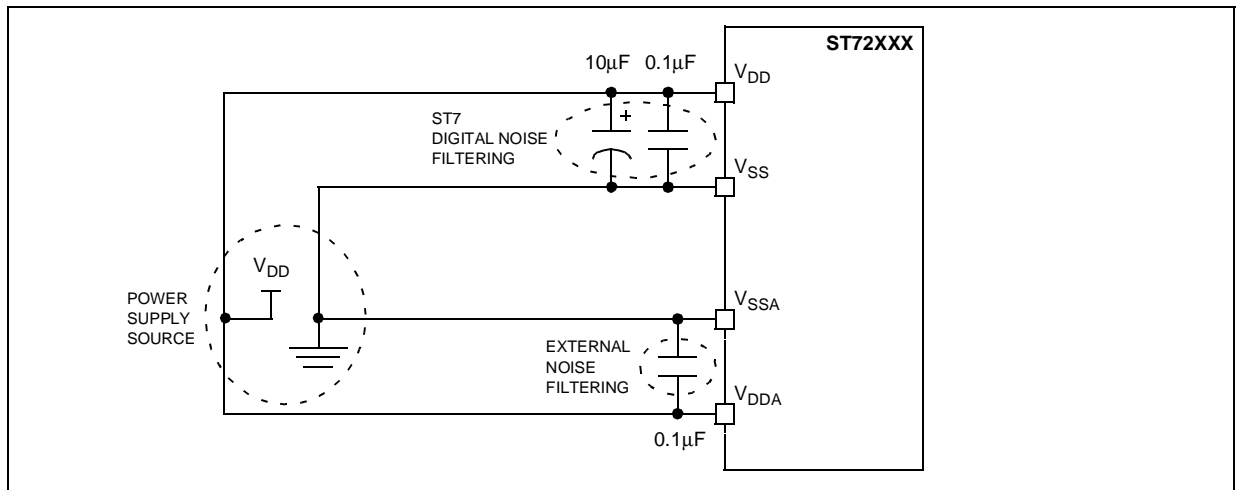
Based on a simple running application on the product (toggling 2 LEDs through I/O ports), the product is stressed by two electro magnetic events until a failure occurs (indicated by the LEDs).

- **ESD:** Electro-Static Discharge (positive and negative) is applied on all pins of the device until a functional disturbance occurs. This test conforms with the IEC 1000-4-2 standard.
- **FTB:** A Burst of Fast Transient voltage (positive and negative) is applied to  $V_{DD}$  and  $V_{SS}$  through a 100pF capacitor, until a functional disturbance occurs. This test conforms with the IEC 1000-4-4 standard.

A device reset allows normal operations to be resumed.

| Symbol     | Parameter  | Conditions   | Neg <sup>1)</sup> | Pos <sup>1)</sup> | Unit |
|------------|--|--|-------------------|-------------------|------|
| $V_{FESD}$ | Voltage limits to be applied on any I/O pin to induce a functional disturbance   | $V_{DD}=5V, T_A=+25^{\circ}C, f_{OSC}=8MHz$ conforms to IEC 1000-4-2 | 1.5               | 1                 | kV   |
| $V_{FFTB}$ | Fast transient voltage burst limits to be applied through 100pF on $V_{DD}$ and $V_{DD}$ pins to induce a functional disturbance | $V_{DD}=5V, T_A=+25^{\circ}C, f_{OSC}=8MHz$ conforms to IEC 1000-4-4 | 1.8               | 1.8               |      |

Figure 53. EMC Recommended star network power supply connection <sup>2)</sup>



**Notes:**

1. Data based on characterization results, not tested in production.
2. The suggested 10µF and 0.1µF decoupling capacitors on the power supply lines are proposed as a good price vs. EMC performance trade-off. They have to be put as close as possible to the device power supply pins. Other EMC recommendations are given in other sections (I/Os, RESET, OSCx pin characteristics).



**EMC CHARACTERISTICS (Cont'd)****13.7.2 Absolute Electrical Sensitivity**

Based on three different tests (ESD, LU and DLU) using specific measurement methods, the product is stressed in order to determine its performance in terms of electrical sensitivity. For more details, refer to the AN1181 ST7 application note.

**13.7.2.1 Electro-Static Discharge (ESD)**

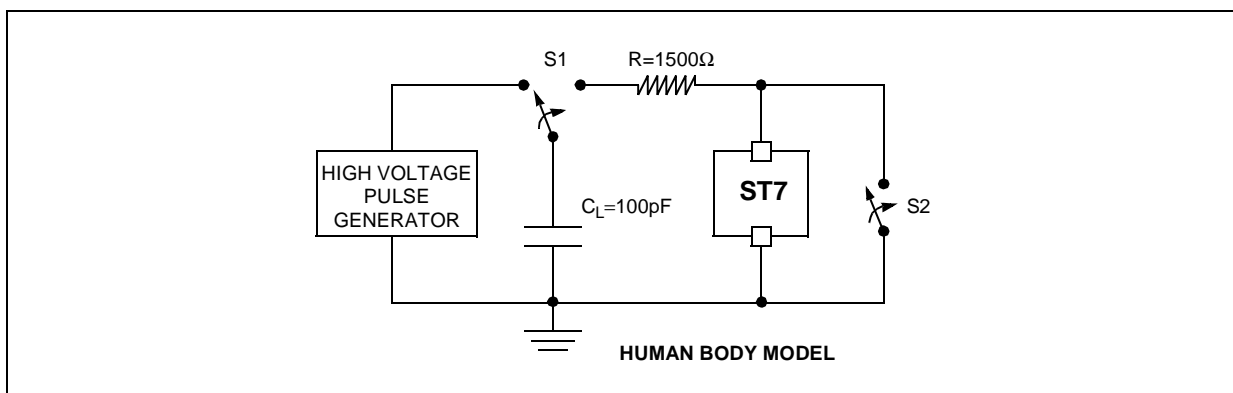
Electro-Static Discharges (1 positive then 1 negative pulse separated by 1 second) are applied to the pins of each sample according to each pin combination. The sample size depends of the number of supply pins of the device (3 parts\*(n+1) supply pin). The Human Body Model is simulated. This test conforms to the JESD22-A114A standard. See [Figure 54](#) and the following test sequences.

**Human Body Model Test Sequence**

- $C_L$  is loaded through S1 by the HV pulse generator.
- S1 switches position from generator to R.

**Absolute Maximum Ratings**

| Symbol         | Ratings   | Conditions              | Maximum value <sup>1)</sup> | Unit |
|----------------|---|-------------------------|-----------------------------|------|
| $V_{ESD(HBM)}$ | Electro-static discharge voltage (Human Body Model) | $T_A=+25^\circ\text{C}$ | 2000                        | V    |

**Figure 54. Typical Equivalent ESD Circuits****Notes:**

1. Data based on characterization results, not tested in production.

**EMC CHARACTERISTICS (Cont'd)**

**13.7.2.2 Static and Dynamic Latch-Up**

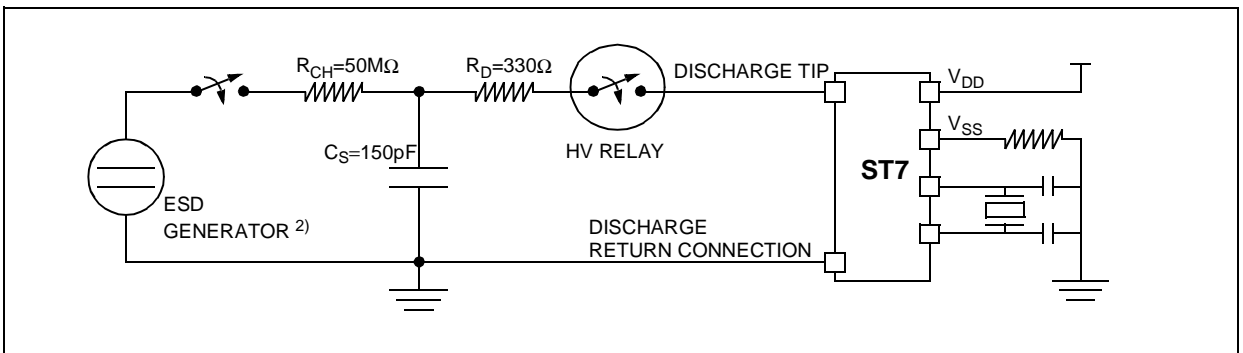
■ **LU:** 3 complementary static tests are required on 10 parts to assess the latch-up performance. A supply overvoltage (applied to each power supply pin), a current injection (applied to each input, output and configurable I/O pin) and a power supply switch sequence are performed on each sample. This test conforms to the EIA/JESD 78 IC latch-up standard. For more details, refer to the AN1181 ST7 application note.

■ **DLU:** Electro-Static Discharges (one positive then one negative test) are applied to each pin of 3 samples when the micro is running to assess the latch-up performance in dynamic mode. Power supplies are set to the typical values, the oscillator is connected as near as possible to the pins of the micro and the component is put in reset mode. This test conforms to the IEC1000-4-2 and SAEJ1752/3 standards and is described in Figure 55. For more details, refer to the AN1181 ST7 application note.

**Electrical Sensitivities**

| Symbol | Parameter              | Conditions   | Class <sup>1)</sup> |
|--------|------------------------|--|---------------------|
| LU     | Static latch-up class  | T <sub>A</sub> =+25°C<br>T <sub>A</sub> =+85°C                       | A<br>A              |
| DLU    | Dynamic latch-up class | V <sub>DD</sub> =5.5V, f <sub>OSC</sub> =4MHz, T <sub>A</sub> =+25°C | A                   |

**Figure 55. Simplified Diagram of the ESD Generator for DLU**



**Notes:**

1. Class description: A Class is an STMicroelectronics internal specification. All its limits are higher than the JEDEC specifications, that means when a device belongs to Class A it exceeds the JEDEC standard. B Class strictly covers all the JEDEC criteria (international standard).
2. Schaffner NSG435 with a pointed test finger.

## EMC CHARACTERISTICS (Cont'd)

### 13.7.3 ESD Pin Protection Strategy

To protect an integrated circuit against Electro-Static Discharge the stress must be controlled to prevent degradation or destruction of the circuit elements. The stress generally affects the circuit elements which are connected to the pads but can also affect the internal devices when the supply pads receive the stress. The elements to be protected must not receive excessive current, voltage or heating within their structure.

An ESD network combines the different input and output ESD protections. This network works, by allowing safe discharge paths for the pins subjected to ESD stress. Two critical ESD stress cases are presented in [Figure 56](#) and [Figure 57](#) for standard pins and in [Figure 58](#) and [Figure 59](#) for true open drain pins.

### Standard Pin Protection

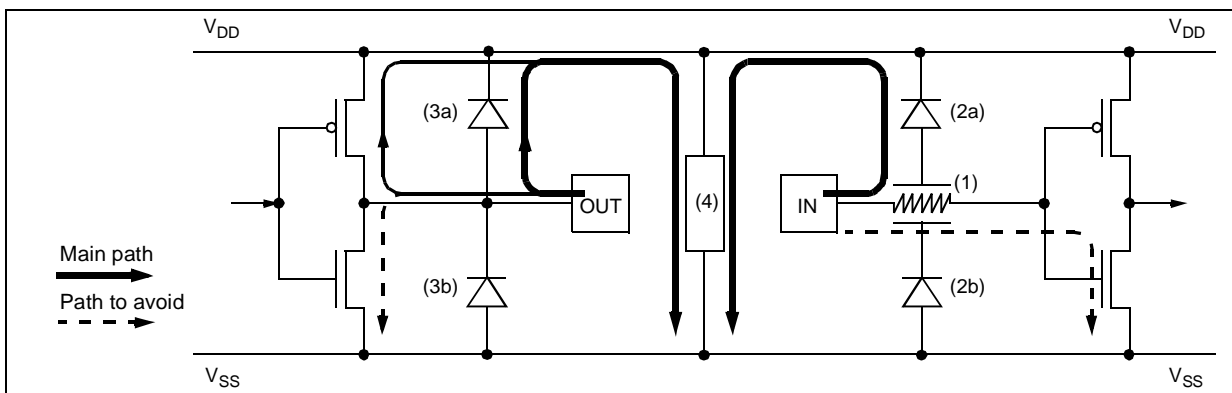
To protect the output structure the following elements are added:

- A diode to  $V_{DD}$  (3a) and a diode from  $V_{SS}$  (3b)
- A protection device between  $V_{DD}$  and  $V_{SS}$  (4)

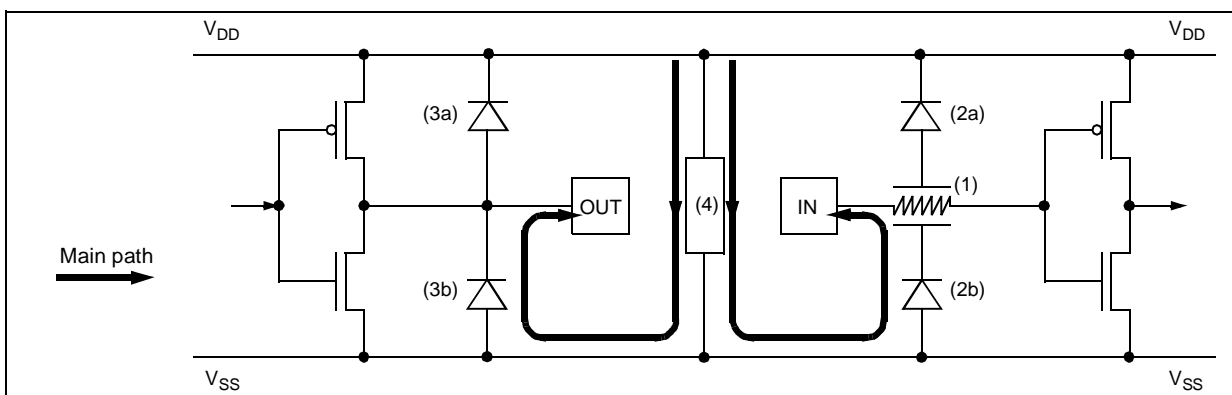
To protect the input structure the following elements are added:

- A resistor in series with the pad (1)
- A diode to  $V_{DD}$  (2a) and a diode from  $V_{SS}$  (2b)
- A protection device between  $V_{DD}$  and  $V_{SS}$  (4)

**Figure 56. Positive Stress on a Standard Pad vs.  $V_{SS}$**



**Figure 57. Negative Stress on a Standard Pad vs.  $V_{DD}$**



**EMC CHARACTERISTICS (Cont'd)**

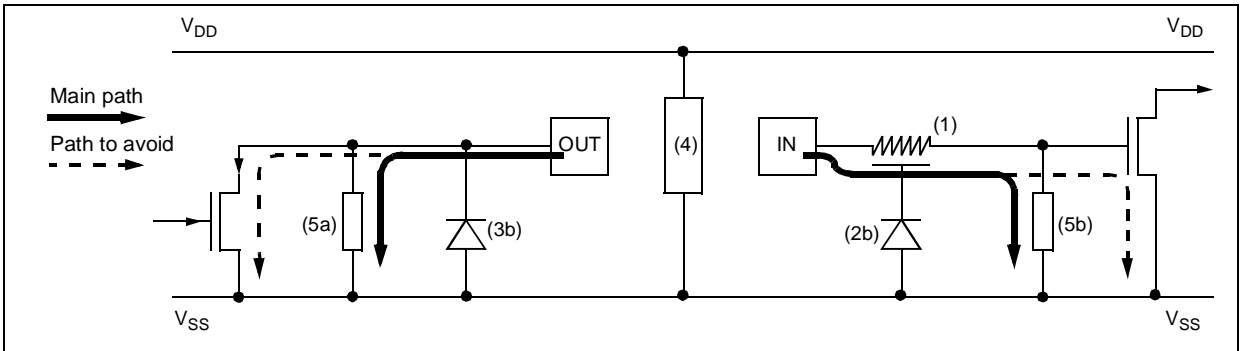
**True Open Drain Pin Protection**

The centralized protection (4) is not involved in the discharge of the ESD stresses applied to true open drain pads due to the fact that a P-Buffer and diode to  $V_{DD}$  are not implemented. An additional local protection between the pad and  $V_{SS}$  (5a & 5b) is implemented to completely absorb the positive ESD discharge.

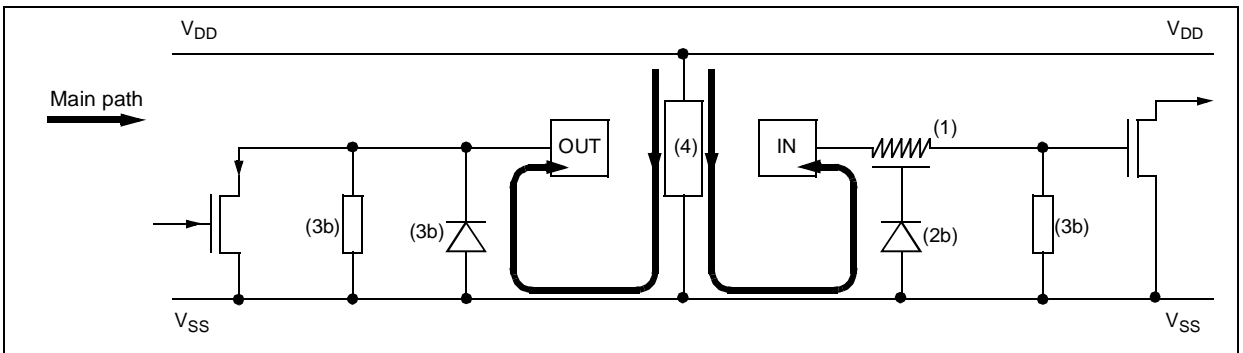
**Multisupply Configuration**

When several types of ground ( $V_{SS}$ ,  $V_{SSA}$ , ...) and power supply ( $V_{DD}$ ,  $V_{DDA}$ , ...) are available for any reason (better noise immunity...), the structure shown in Figure 60 is implemented to protect the device against ESD.

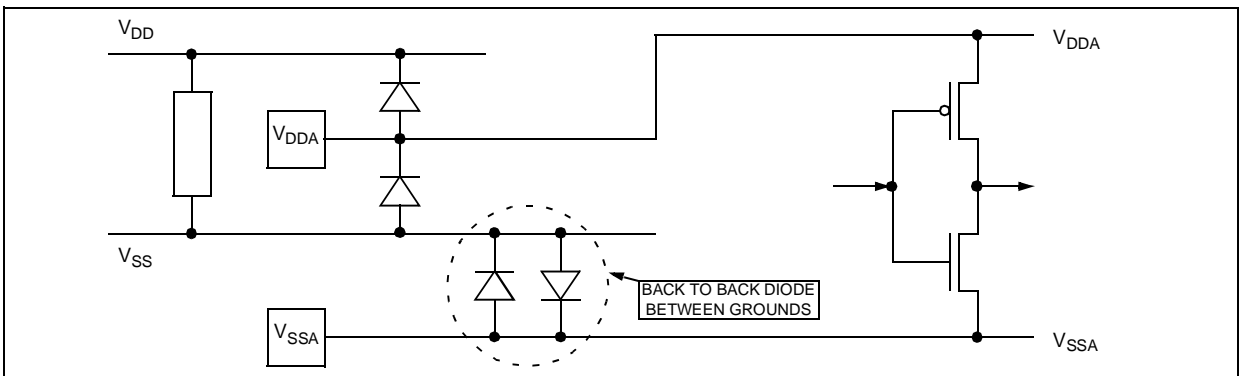
**Figure 58. Positive Stress on a True Open Drain Pad vs.  $V_{SS}$**



**Figure 59. Negative Stress on a True Open Drain Pad vs.  $V_{DD}$**



**Figure 60. Multisupply Configuration**



### 13.8 I/O PORT PIN CHARACTERISTICS

#### 13.8.1 General Characteristics

Subject to general operating conditions for  $V_{DD}$ ,  $f_{CPU}$ , and  $T_A$  unless otherwise specified.

| Symbol          | Parameter                                      | Conditions                        | Min                 | Typ <sup>1)</sup> | Max                 | Unit       |
|-----------------|--|-----------------------------------|---------------------|-------------------|---------------------|------------|
| $V_{IL}$        | Input low level voltage                        |                                   |                     |                   | $0.3 \times V_{DD}$ | V          |
| $V_{IH}$        | Input high level voltage                       |                                   | $0.7 \times V_{DD}$ |                   |                     |            |
| $V_{IN}$        | Input voltage                                  | True open drain I/O pins          | $V_{SS}$            |                   | 6.0                 | V          |
|                 |  | Other I/O pins                    |                     |                   | $V_{DD}$            |            |
| $V_{hys}$       | Schmitt trigger voltage hysteresis             |                                   |                     | 400               |                     | mV         |
| $I_L$           | Input leakage current                          | $V_{SS} \leq V_{IN} \leq V_{DD}$  |                     |                   | $\pm 1$             | $\mu A$    |
| $I_S$           | Static current consumption <sup>2)</sup>       | Floating input mode               |                     |                   | 200                 |            |
| $R_{PU}$        | Weak pull-up equivalent resistor <sup>3)</sup> | $V_{IN}=V_{SS}$   $V_{DD}=5V$     | 50                  | 90                | 120                 | k $\Omega$ |
| $C_{IO}$        | I/O pin capacitance                            |                                   |                     | 5                 |                     | pF         |
| $t_{f(I/O)out}$ | Output high to low level fall time             | $C_L=50pF$<br>Between 10% and 90% |                     | 25                |                     | ns         |
| $t_{r(I/O)out}$ | Output low to high level rise time             |                                   |                     | 25                |                     |            |
| $t_{w(IT)in}$   | External interrupt pulse time <sup>4)</sup>    |                                   | 1                   |                   |                     | $t_{CPU}$  |

Figure 61. Two typical Applications with unused I/O Pin

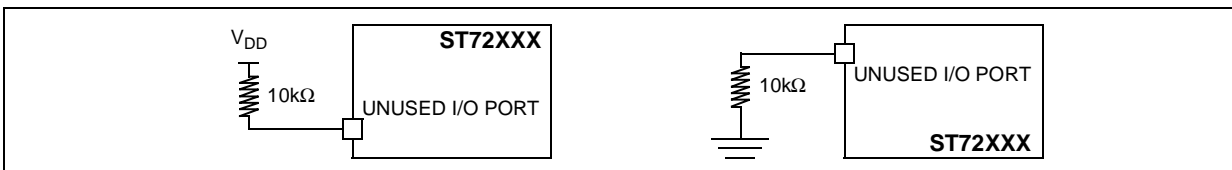


Figure 62. Typical  $I_{PU}$  vs.  $V_{DD}$  with  $V_{IN}=V_{SS}$

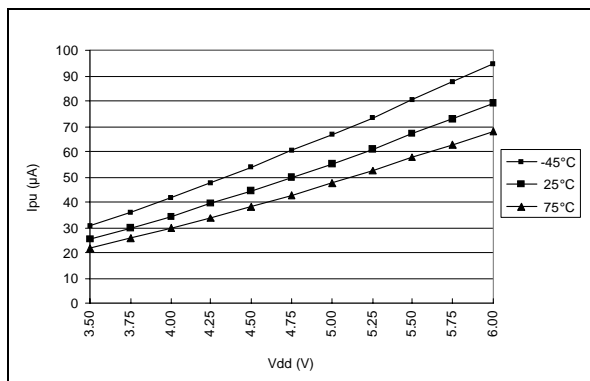
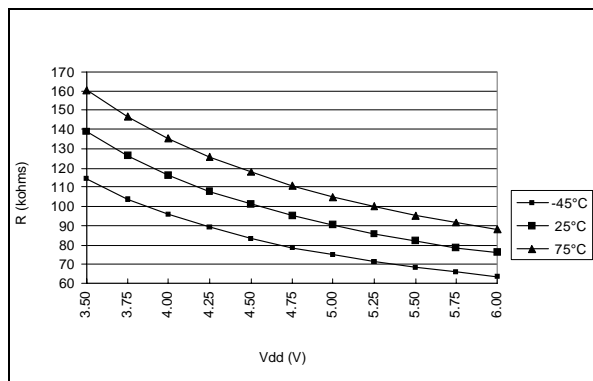


Figure 63. Typical  $R_{PU}$  vs.  $V_{DD}$  with  $V_{IN}=V_{SS}$



**Notes:**

1. Unless otherwise specified, typical data are based on  $T_A=25^\circ C$  and  $V_{DD}=5V$ , not tested in production.
2. Configuration not recommended, all unused pins must be kept at a fixed voltage: using the output mode of the I/O for example or an external pull-up or pull-down resistor (see Figure 61). Data based on design simulation and/or technology characteristics, not tested in production.
3. The  $R_{PU}$  pull-up equivalent resistor is based on a resistive transistor (corresponding  $I_{PU}$  current characteristics described in Figure 62). This data is based on characterization results.
4. To generate an external interrupt, a minimum pulse width has to be applied on an I/O port pin configured as an external interrupt source.

**I/O PORT PIN CHARACTERISTICS (Cont'd)**

**13.8.2 Output Driving Current**

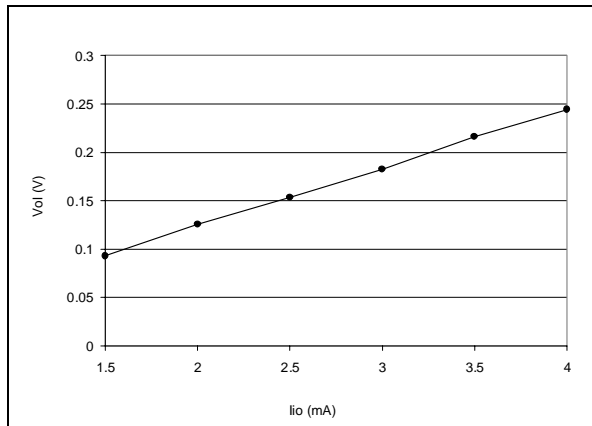
Subject to general operating condition for  $V_{DD}$ ,  $f_{CPU}$ , and  $T_A$  unless otherwise specified.

| Symbol        | Parameter  | Conditions      | Min          | Max | Unit |
|---------------|--|-----------------|--------------|-----|------|
| $V_{OL}^{1)}$ | Output low level voltage for a standard I/O pin when up to 8 pins are sunk at the same time, Port A0, Port A(3:7), Port C(0:2) (see Figure 64) | $I_{IO}=+1.6mA$ |              | 0.4 | V    |
|               | Output low level voltage for a high sink I/O pin when up to 4 pins are sunk at the same time, Port B(0:7) (see Figure 65)                      | $I_{IO}=+10mA$  |              | 1.3 |      |
|               | Output low level voltage for a very high sink I/O pin when up to 2 pins are sunk at the same time, Port A1, Port A2                            | $I_{IO}=+25mA$  |              | 1.5 |      |
| $V_{OH}^{2)}$ | Output high level voltage for an I/O pin when up to 8 pins are sourced at same time (see Figure 66)  | $I_{IO}=-10mA$  | $V_{DD}-1.3$ |     |      |
|               |  | $I_{IO}=-1.6mA$ | $V_{DD}-0.8$ |     |      |

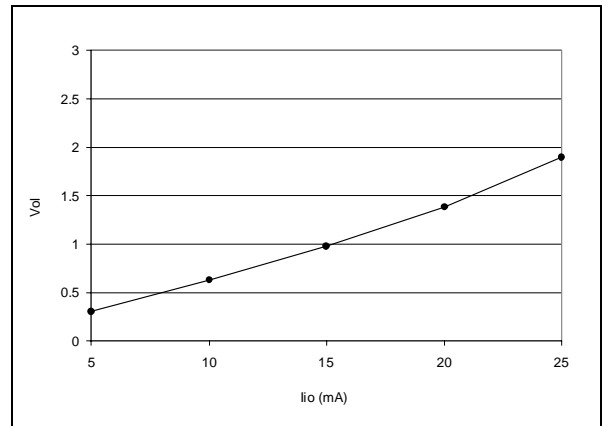
**Notes:**

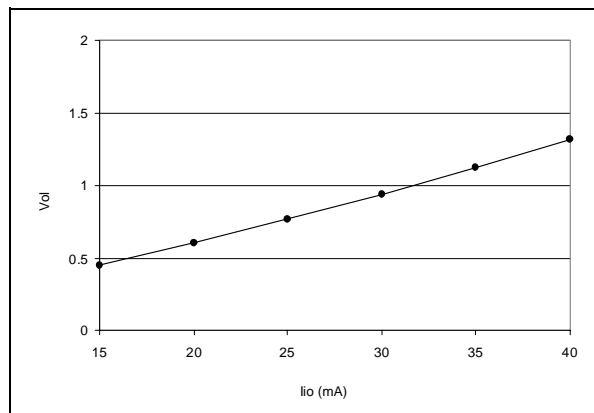
1. The  $I_{IO}$  current sunk must always respect the absolute maximum rating specified in Section 13.2 and the sum of  $I_{IO}$  (I/O ports and control pins) must not exceed  $I_{VSS}$ .
2. The  $I_{IO}$  current sourced must always respect the absolute maximum rating specified in Section 13.2 and the sum of  $I_{IO}$  (I/O ports and control pins) must not exceed  $I_{VDD}$ . True open drain I/O pins does not have  $V_{OH}$ .

**Figure 64. Typical  $V_{OL}$  at  $V_{DD}=5V$  (standard)**



**Figure 65. Typical  $V_{OL}$  at  $V_{DD}=5V$  (high-sink)**



**Figure 66. Typical  $V_{OL}$  at  $V_{DD}=5V$  (very high-sink)**

I/O PORT PIN CHARACTERISTICS (Cont'd)

Figure 67. Typical  $V_{DD}-V_{OH}$  at  $V_{DD}=5V$

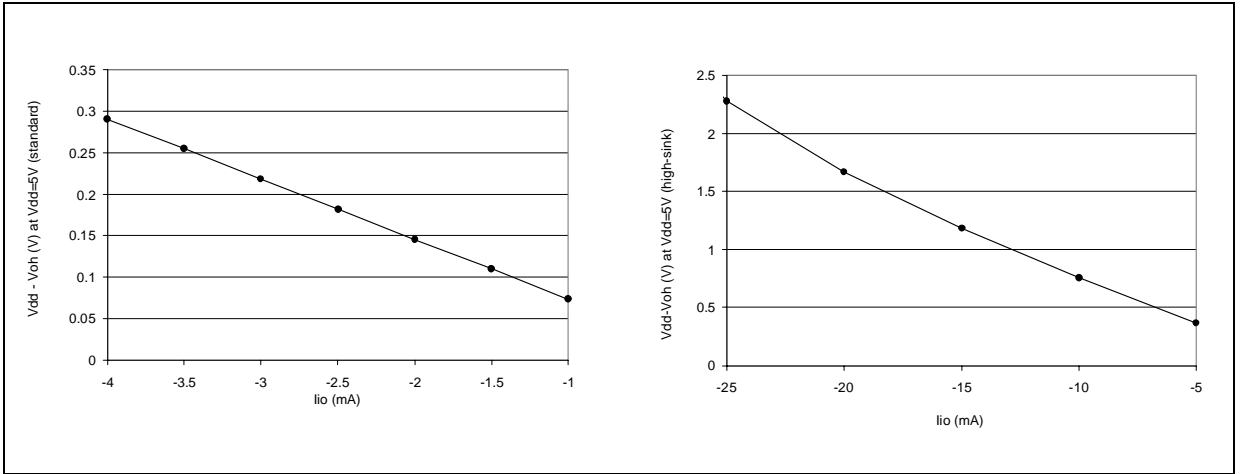


Figure 68. Typical  $V_{OL}$  vs.  $V_{DD}$  (standard I/Os)

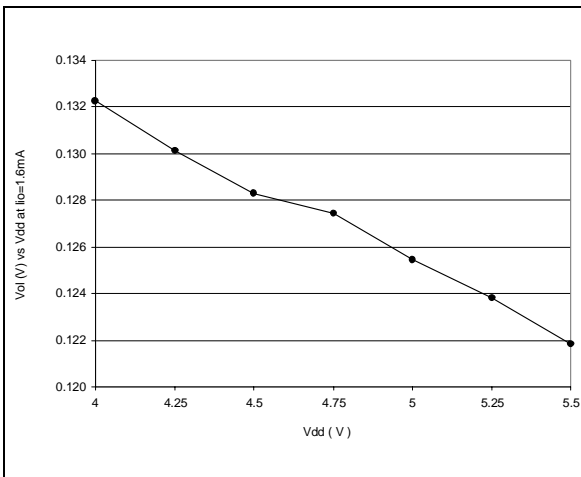


Figure 69. Typical  $V_{OL}$  vs.  $V_{DD}$  (high-sink I/Os)

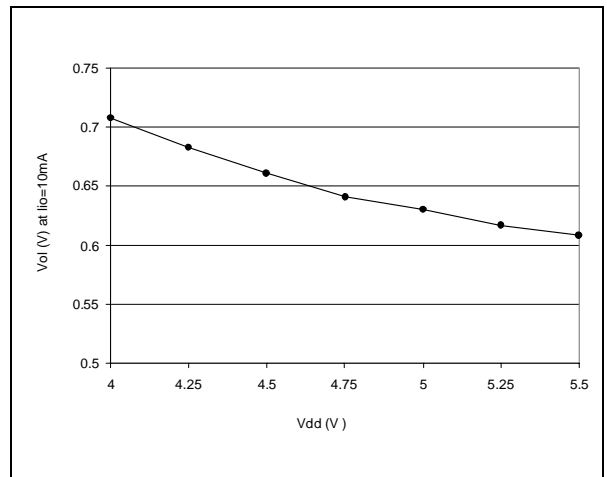
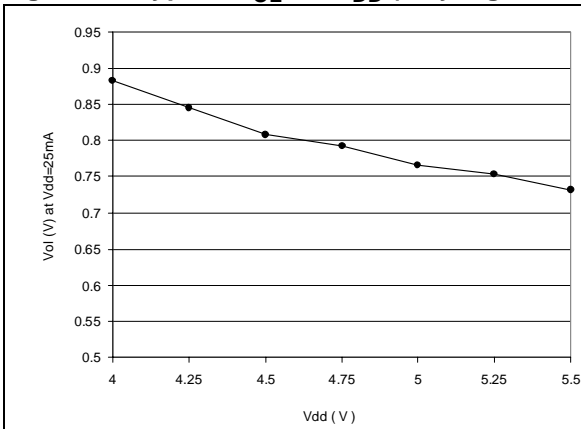
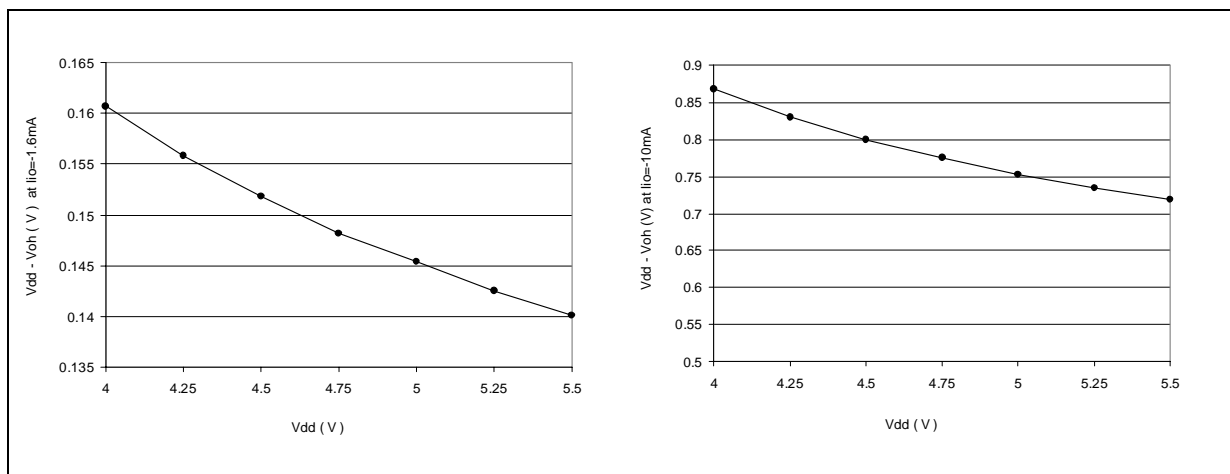


Figure 70. Typical  $V_{OL}$  vs.  $V_{DD}$  (very high-sink I/Os)





## I/O PORT PIN CHARACTERISTICS (Cont'd)

Figure 71. Typical  $V_{DD}-V_{OH}$  vs.  $V_{DD}$ 

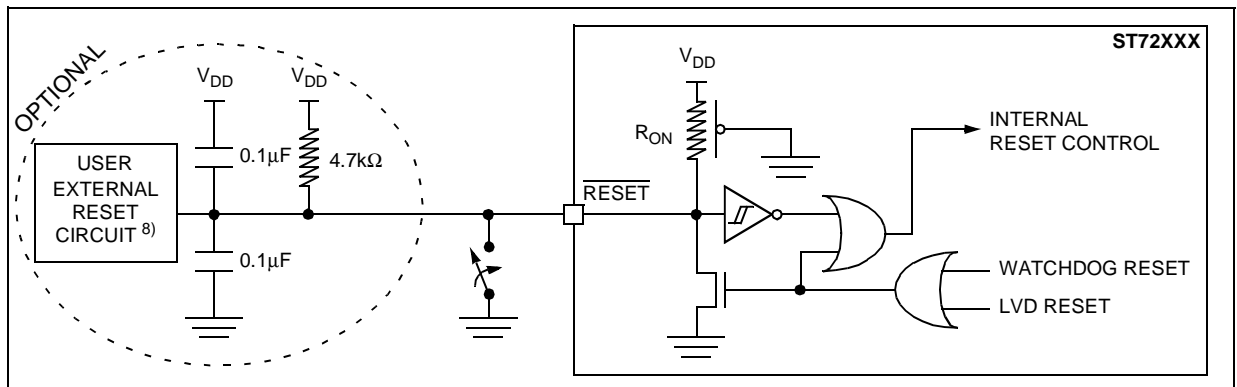
## 13.9 CONTROL PIN CHARACTERISTICS

### 13.9.1 Asynchronous $\overline{\text{RESET}}$ Pin

Subject to general operating conditions for  $V_{DD}$ ,  $f_{CPU}$ , and  $T_A$  unless otherwise specified.

| Symbol           | Parameter  | Conditions                             | Min                 | Typ <sup>1)</sup> | Max                 | Unit                     |
|------------------|--|--|---------------------|-------------------|---------------------|--------------------------|
| $V_{IH}$         | Input High Level Voltage   |  | $0.7 \times V_{DD}$ |                   | $V_{DD}$            | V                        |
| $V_{IL}$         | Input Low Voltage  |  | $V_{SS}$            |                   | $0.3 \times V_{DD}$ | V                        |
| $V_{hys}$        | Schmitt trigger voltage hysteresis <sup>3)</sup>                     |  |                     | 400               |                     | mV                       |
| $V_{OL}$         | Output low level voltage <sup>4)</sup><br>(see Figure 74, Figure 75) | $V_{DD}=5V$ $I_{IO}=5mA$               |                     |                   | 0.8                 | V                        |
|                  |  | $V_{DD}=5V$ $I_{IO}=7.5mA$             |                     |                   | 1.3                 |                          |
| $R_{ON}$         | Weak pull-up equivalent resistor <sup>5)</sup>                       | $V_{IN}=V_{SS}$ $V_{DD}=5V$            | 50                  | 80                | 100                 | $k\Omega$                |
| $t_{w(RSTL)out}$ | Generated reset pulse duration                                       | External pin or internal reset sources |                     | 6<br>30           |                     | $1/f_{SFOSC}$<br>$\mu s$ |
| $t_{h(RSTL)in}$  | External reset pulse hold time <sup>6)</sup>                         |  | 5                   |                   |                     | $\mu s$                  |

Figure 72. Typical Application with  $\overline{\text{RESET}}$  pin<sup>7)</sup>



#### Notes:

1. Unless otherwise specified, typical data are based on  $T_A=25^\circ\text{C}$  and  $V_{DD}=5V$ , not tested in production.
2. Data based on characterization results, not tested in production.
3. Hysteresis voltage between Schmitt trigger switching levels. Based on characterization results, not tested.
4. The  $I_{IO}$  current sunk must always respect the absolute maximum rating specified in Section 13.2 and the sum of  $I_{IO}$  (I/O ports and control pins) must not exceed  $I_{VSS}$ .
5. The  $R_{ON}$  pull-up equivalent resistor is based on a resistive transistor (corresponding  $I_{ON}$  current characteristics described in Figure 73). This data is based on characterization results, not tested in production.
6. To guarantee the reset of the device, a minimum pulse has to be applied to  $\overline{\text{RESET}}$  pin. All short pulses applied on RESET pin with a duration below  $t_{h(RSTL)in}$  can be ignored.
7. The output of the external reset circuit must have an open-drain output to drive the ST7 reset pad. Otherwise the device can be damaged when the ST7 generates an internal reset (LVD or watchdog).

CONTROL PIN CHARACTERISTICS (Cont'd)

Figure 73. Typical  $I_{ON}$  vs.  $V_{DD}$  with  $V_{IN}=V_{SS}$

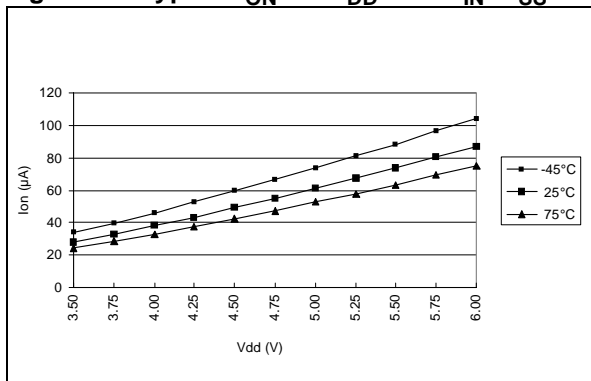


Figure 74. Typical  $V_{OL}$  at  $V_{DD}=5V$  (RESET)

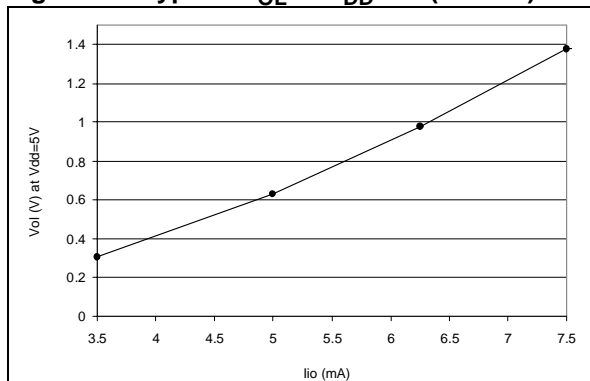
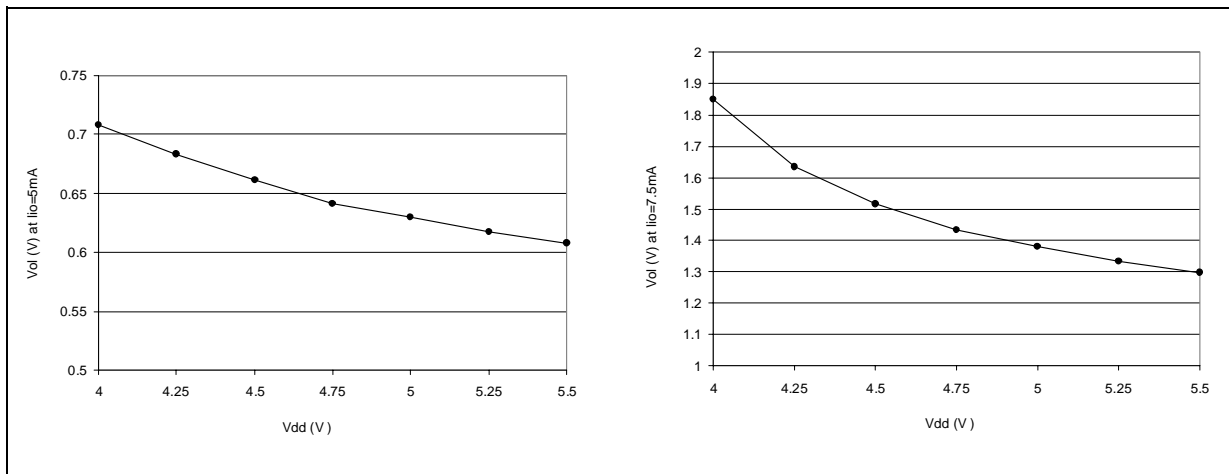


Figure 75. Typical  $V_{OL}$  vs.  $V_{DD}$  (RESET)



13.10 COMMUNICATION INTERFACE CHARACTERISTICS

13.10.1 USB - Universal Bus Interface

(Operating conditions  $T_A = 0$  to  $+70^\circ\text{C}$ ,  $V_{DD} = 4.0$  to  $5.25\text{V}$  unless otherwise specified)

| USB DC Electrical Characteristics  |        |                            |      |      |      |
|------------------------------------|--------|----------------------------|------|------|------|
| Parameter                          | Symbol | Conditions                 | Min. | Max. | Unit |
| Differential Input Sensitivity     | VDI    | I(D+, D-)                  | 0.2  |      | V    |
| Differential Common Mode Range     | VCM    | Includes VDI range         | 0.8  | 2.5  | V    |
| Single Ended Receiver Threshold    | VSE    |                            | 0.8  | 2.0  | V    |
| Static Output Low                  | VOL    | RL of 1.5K ohms to 3.6v    |      | 0.3  | V    |
| Static Output High                 | VOH    | RL of 15K ohms to $V_{SS}$ | 2.8  | 3.6  | V    |
| USBVCC: voltage level <sup>3</sup> | USBV   | $V_{DD}=5\text{v}$         | 3.00 | 3.60 | V    |

**Note 1:** RL is the load connected on the USB drivers.

**Note 2:** All the voltages are measured from the local ground potential.

**Note 3:** To improve EMC performance (noise immunity), it is recommended to connect a 100nF capacitor to the USBVCC pin.

Figure 76. USB: Data Signal Rise and Fall Time

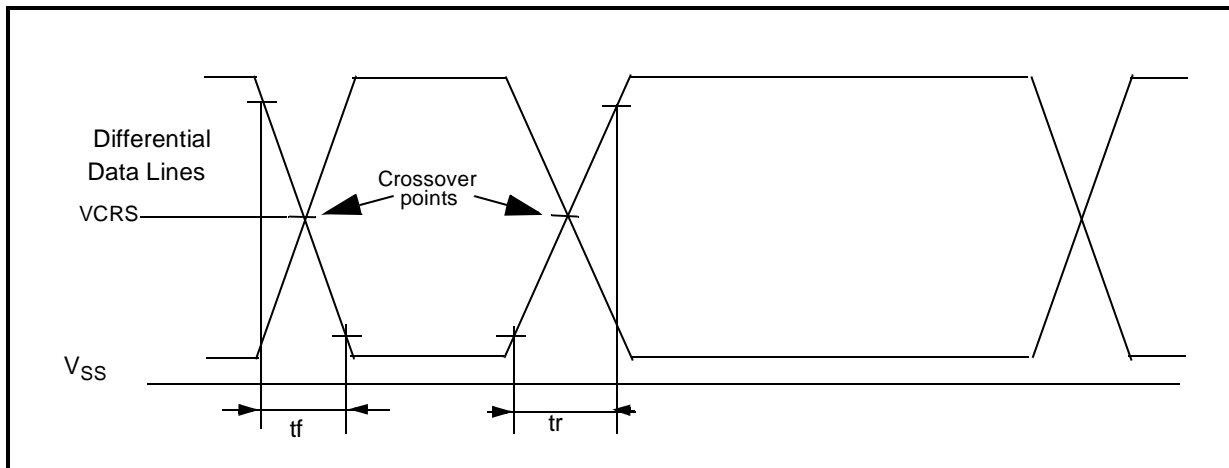


Table 25. USB: Low-speed Electrical Characteristics

| Parameter                       | Symbol | Conditions        | Min | Max | Unit |
|---------------------------------|--------|-------------------|-----|-----|------|
| Driver characteristics:         |        |                   |     |     |      |
| Rise time                       | tr     | Note 1, CL=50 pF  | 75  |     | ns   |
|                                 |        | Note 1, CL=600 pF |     | 300 | ns   |
| Fall Time                       | tf     | Note 1, CL=50 pF  | 75  |     | ns   |
|                                 |        | Note 1, CL=600 pF |     | 300 | ns   |
| Rise/ Fall Time matching        | trfm   | tr/tf             | 80  | 120 | %    |
| Output signal Crossover Voltage | VCRS   |                   | 1.3 | 2.0 | V    |

**Note 1:** Measured from 10% to 90% of the data signal. For more detailed informations, please refer to Chapter 7 (Electrical) of the USB specification (version 1.1).

**COMMUNICATION INTERFACE CHARACTERISTICS (Cont'd)****13.10.2 SCI - Serial Communications Interface**

Subject to general operating condition for  $V_{DD}$ ,  $f_{CPU}$ , and  $T_A$  unless otherwise specified.

Refer to I/O port characteristics for more details on the input/output alternate function characteristics (RDI and TDO).

| Symbol               | Parameter               | Conditions |                       |                       | Standard | Baud Rate | Unit |
|----------------------|-------------------------|------------|-----------------------|-----------------------|----------|-----------|------|
|                      |                         | $f_{CPU}$  | Accuracy vs. Standard | Prescaler             |          |           |      |
| $f_{Tx}$<br>$f_{Rx}$ | Communication frequency | 8MHz       | ~0.16%                | Conventional Mode     |          |           |      |
|                      |                         |            |                       | TR (or RR)=128, PR=13 | 300      | ~300.48   | Hz   |
|                      |                         |            |                       | TR (or RR)= 32, PR=13 | 1200     | ~1201.92  |      |
|                      |                         |            |                       | TR (or RR)= 16, PR=13 | 2400     | ~2403.84  |      |
|                      |                         |            |                       | TR (or RR)= 8, PR=13  | 4800     | ~4807.69  |      |
|                      |                         |            |                       | TR (or RR)= 4, PR=13  | 9600     | ~9615.38  |      |
|                      |                         |            |                       | TR (or RR)= 16, PR= 3 | 10400    | ~10416.67 |      |
|                      |                         |            |                       | TR (or RR)= 2, PR=13  | 19200    | ~19230.77 |      |
| TR (or RR)= 1, PR=13 | 38400                   | ~38461.54  |                       |                       |          |           |      |

**13.10.3 I<sup>2</sup>C - Inter IC Control Interface**

Refer to I/O port characteristics for more details on the input/output alternate function characteristics (SDAI and SCLI).

The ST7 I<sup>2</sup>C interface meets the requirements of the Standard I<sup>2</sup>C communication protocol described in the following table.

(Subject to general operating conditions for  $V_{DD}$ ,  $f_{OSC}$ , and  $T_A$  unless otherwise specified)

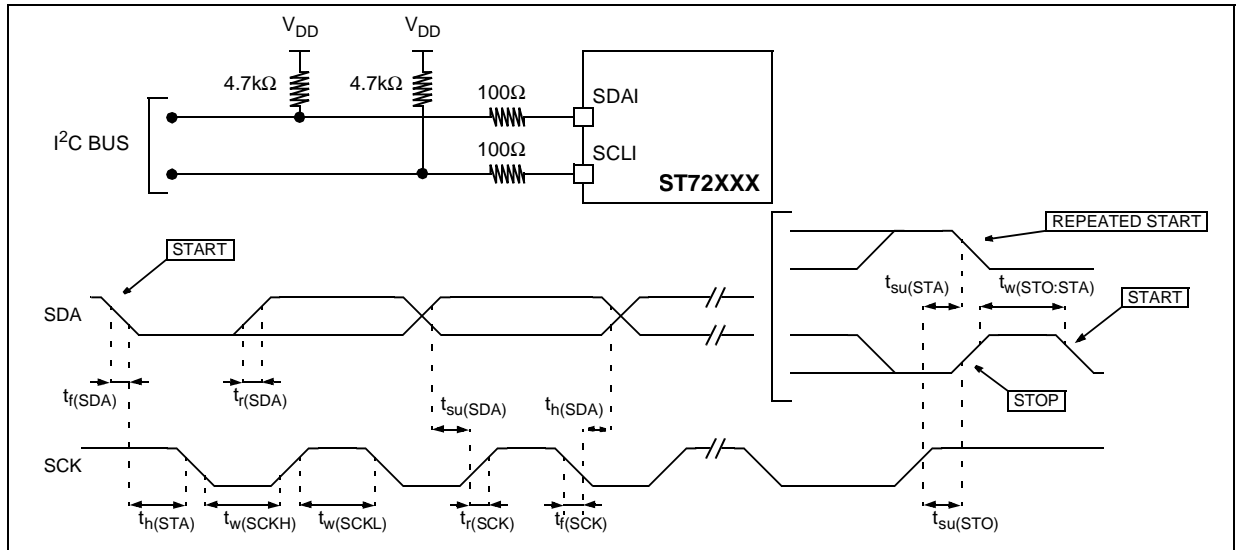
| Symbol                   | Parameter                               | Standard mode I <sup>2</sup> C |                   | Fast mode I <sup>2</sup> C |                   | Unit    |         |
|--------------------------|---|--------------------------------|-------------------|----------------------------|-------------------|---------|---------|
|                          |   | Min <sup>1)</sup>              | Max <sup>1)</sup> | Min <sup>1)</sup>          | Max <sup>1)</sup> |         |         |
| $t_{w(SCLL)}$            | SCL clock low time                      | 4.7                            |                   | 1.3                        |                   | $\mu$ s |         |
| $t_{w(SCLH)}$            | SCL clock high time                     | 4.0                            |                   | 0.6                        |                   |         |         |
| $t_{su(SDA)}$            | SDA setup time                          | 250                            |                   | 100                        |                   | ns      |         |
| $t_{h(SDA)}$             | SDA data hold time                      | 0 <sup>3)</sup>                |                   | 0 <sup>2)</sup>            | 900 <sup>3)</sup> |         |         |
| $t_r(SDA)$<br>$t_r(SCL)$ | SDA and SCL rise time                   |                                | 1000              | $20+0.1C_b$                | 300               |         |         |
| $t_f(SDA)$<br>$t_f(SCL)$ | SDA and SCL fall time                   |                                | 300               | $20+0.1C_b$                | 300               |         |         |
| $t_{h(STA)}$             | START condition hold time               | 4.0                            |                   | 0.6                        |                   |         | $\mu$ s |
| $t_{su(STA)}$            | Repeated START condition setup time     | 4.7                            |                   | 0.6                        |                   |         |         |
| $t_{su(STO)}$            | STOP condition setup time               | 4.0                            |                   | 0.6                        |                   | ns      |         |
| $t_{w(STO:STA)}$         | STOP to START condition time (bus free) | 4.7                            |                   | 1.3                        |                   | ms      |         |
| $C_b$                    | Capacitive load for each bus line       |                                | 400               |                            | 400               | pF      |         |

**Notes:**

1. Data based on standard I<sup>2</sup>C protocol requirement, not tested in production.
2. The device must internally provide a hold time of at least 300ns for the SDA signal in order to bridge the undefined region of the falling edge of SCL.
3. The maximum hold time of the START condition has only to be met if the interface does not stretch the low period of SCL signal.

COMMUNICATION INTERFACE CHARACTERISTICS (Cont'd)

Figure 77. Typical Application with I<sup>2</sup>C Bus and Timing Diagram <sup>1)</sup>



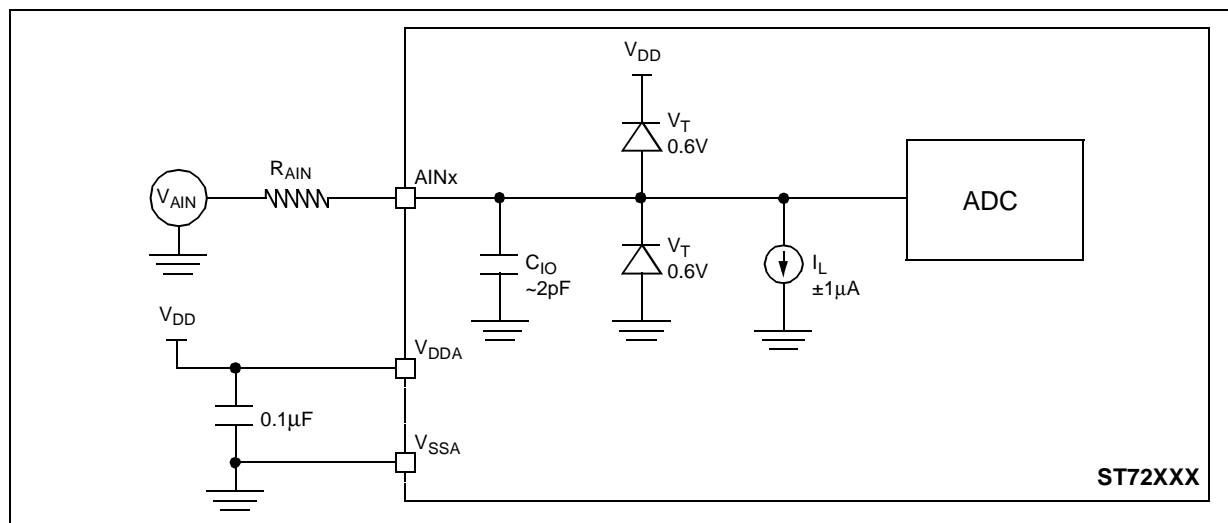
Note 1. Measurement points are done at CMOS levels:  $0.3 \times V_{DD}$  and  $0.7 \times V_{DD}$ .

### 13.11 8-BIT ADC CHARACTERISTICS

Subject to general operating conditions for  $V_{DD}$ ,  $f_{OSC}$ , and  $T_A$  unless otherwise specified.

| Symbol     | Parameter   | Conditions                                    | Min             | Typ <sup>1)</sup> | Max                  | Unit          |
|------------|---|---|-----------------|-------------------|----------------------|---------------|
| $f_{ADC}$  | ADC clock frequency                                       |   |                 |                   | 4                    | MHz           |
| $V_{AIN}$  | Conversion range voltage <sup>2)</sup>                    |   | $V_{SSA}$       |                   | $V_{DDA}$            | V             |
| $R_{AIN}$  | External input resistor                                   |   |                 |                   | $10^3$ <sup>3)</sup> | k $\Omega$    |
| $C_{ADC}$  | Internal sample and hold capacitor                        |   |                 | 6                 |                      | pF            |
| $t_{STAB}$ | Stabilization time after ADC enable                       | $f_{CPU}=8\text{MHz}$ , $f_{ADC}=2\text{MHz}$ | 0 <sup>4)</sup> |                   |                      | $\mu\text{s}$ |
| $t_{ADC}$  | Conversion time (Sample+Hold)                             |   | 6               |                   |                      |               |
|            | - Sample capacitor loading time<br>- Hold conversion time |   | 4<br>8          |                   |                      | $1/f_{ADC}$   |

Figure 78. Typical Application with ADC



#### Notes:

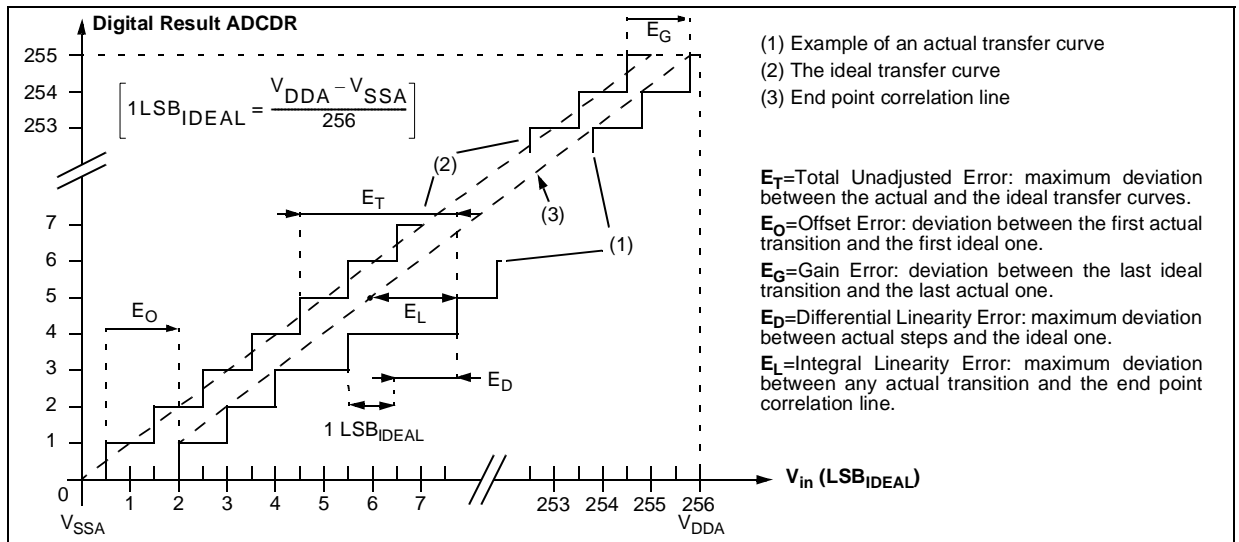
1. Unless otherwise specified, typical data are based on  $T_A=25^\circ\text{C}$  and  $V_{DD}-V_{SS}=5\text{V}$ . They are given only as design guidelines and are not tested.
2. When  $V_{DDA}$  and  $V_{SSA}$  pins are not available on the pinout, the ADC refer to  $V_{DD}$  and  $V_{SS}$ .
3. Any added external serial resistor will downgrade the ADC accuracy (especially for resistance greater than 10k $\Omega$ ). Data based on characterization results, not tested in production.
4. The stabilization time of the AD converter is masked by the first  $t_{LOAD}$ . The first conversion after the enable is then always valid.

8-BIT ADC CHARACTERISTICS (Cont'd)

ADC Accuracy with  $V_{DD}=5V$ ,  $f_{CPU}=8\text{ MHz}$ ,  $f_{ADC}=4\text{ MHz}$   $R_{AIN}< 10k\Omega$

| Symbol  | Parameter                                  | Min  | Max |
|---------|--|------|-----|
| $ E_T $ | Total unadjusted error <sup>1)</sup>       |      | 2   |
| $E_O$   | Offset error <sup>1)</sup>                 | -0.5 | 1   |
| $E_G$   | Gain Error <sup>1)</sup>                   | -1.5 | 0   |
| $ E_D $ | Differential linearity error <sup>1)</sup> |      | 1.5 |
| $ E_L $ | Integral linearity error <sup>1)</sup>     |      | 1.5 |

Figure 79. ADC Accuracy Characteristics



Notes:

- ADC Accuracy vs. Negative Injection Current:  
 For  $I_{INJ}=0.8mA$ , the typical leakage induced inside the die is  $1.6\mu A$  and the effect on the ADC accuracy is a loss of 1 LSB for each  $10K\Omega$  increase of the external analog source impedance. This effect on the ADC accuracy has been observed under worst-case conditions for injection:  
 - negative injection  
 - injection to an Input with analog capability, adjacent to the enabled Analog Input  
 - at  $5V V_{DD}$  supply, and worst case temperature.
- Data based on characterization results with  $T_A=25^\circ C$ .
- Data based on characterization results over the whole temperature range, monitored in production.



## 14 PACKAGE CHARACTERISTICS

### 14.1 PACKAGE MECHANICAL DATA

Figure 80. 34-Pin Shrink Plastic Small Outline Package, 300-mil Width

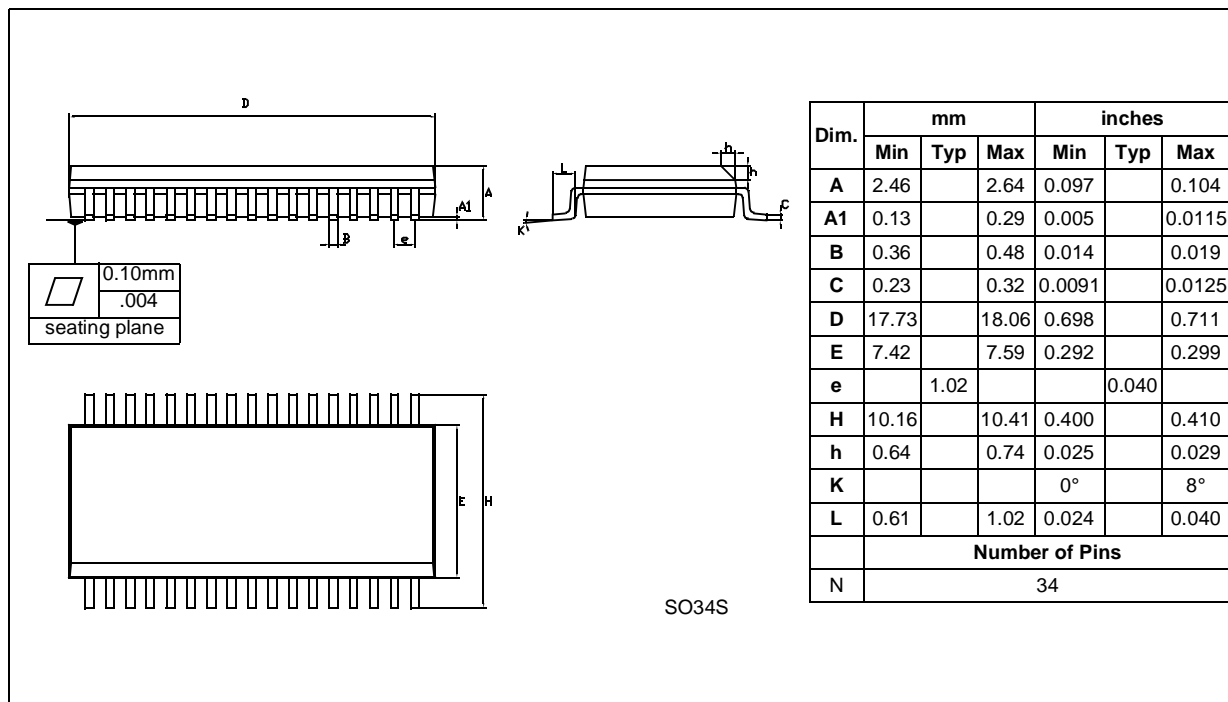
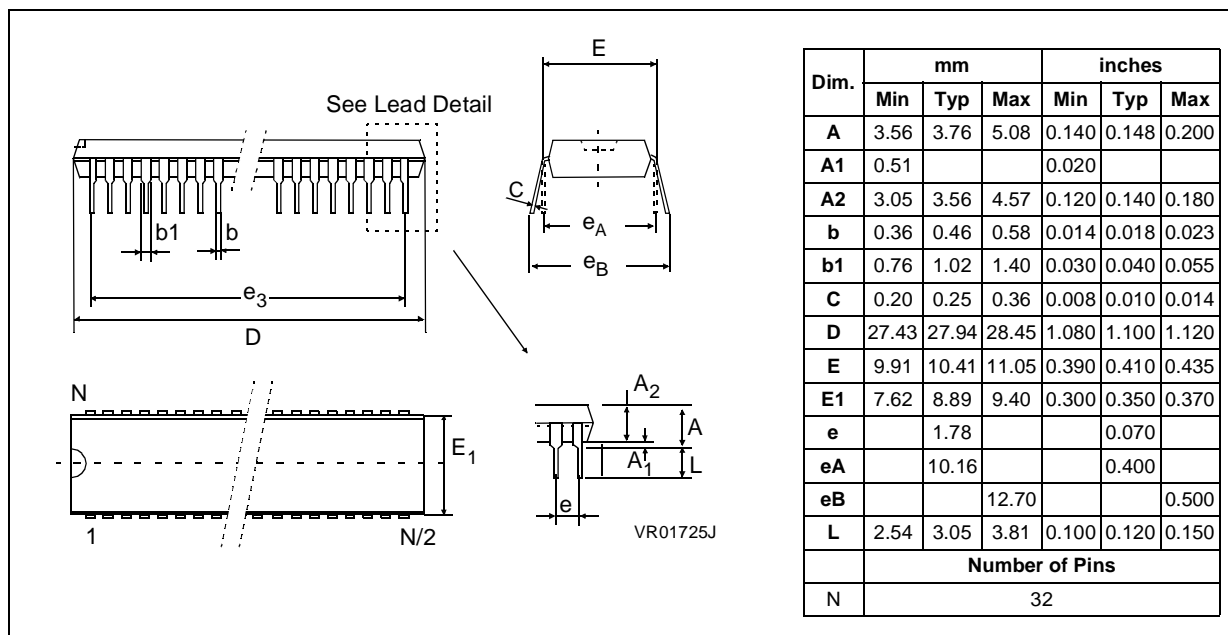


Figure 81. 32-Pin Shrink Plastic Dual in Line Package, 400-mil Width



## 14.2 THERMAL CHARACTERISTICS

| Symbol     | Ratings  | Value    | Unit |
|------------|--|----------|------|
| $R_{thJA}$ | Package thermal resistance (junction to ambient) |          |      |
|            | SDIP32<br>SO34                                   | 60<br>75 | °C/W |
| $P_D$      | Power dissipation <sup>1)</sup>                  | 500      | mW   |
| $T_{Jmax}$ | Maximum junction temperature <sup>2)</sup>       | 150      | °C   |

**Notes:**

1. The power dissipation is obtained from the formula  $P_D = P_{INT} + P_{PORT}$  where  $P_{INT}$  is the chip internal power ( $I_{DD} \times V_{DD}$ ) and  $P_{PORT}$  is the port power dissipation determined by the user.
2. The average chip-junction temperature can be obtained from the formula  $T_J = T_A + P_D \times R_{thJA}$ .

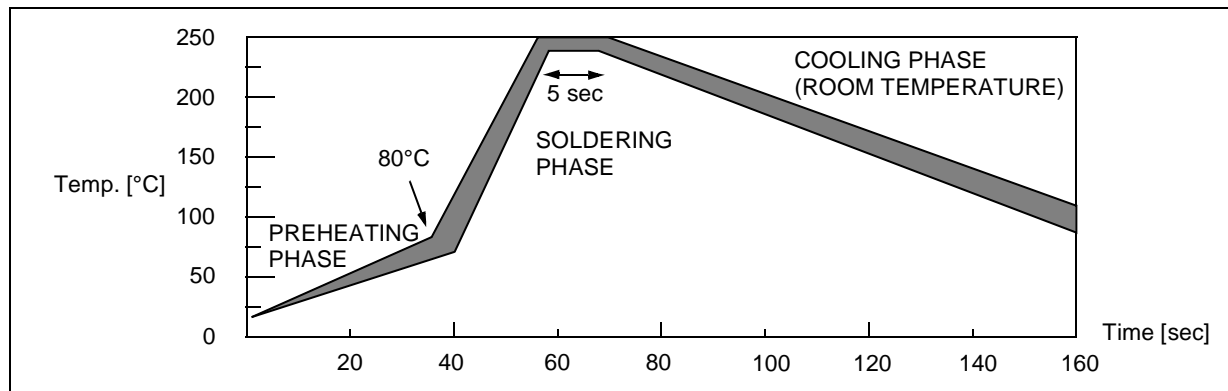
### 14.3 SOLDERING AND GLUEABILITY INFORMATION

Recommended soldering information given only as design guidelines in [Figure 82](#) and [Figure 83](#).

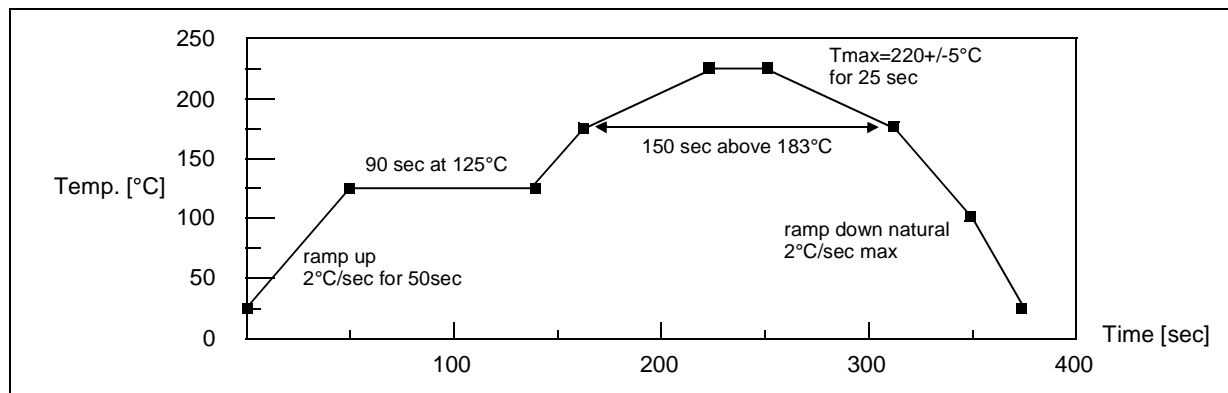
Recommended glue for SMD plastic packages dedicated to molding compound with silicone:

- Heraeus: PD945, PD955
- Loctite: 3615, 3298

**Figure 82. Recommended Wave Soldering Profile (with 37% Sn and 63% Pb)**



**Figure 83. Recommended Reflow Soldering Oven Profile (MID JEDEC)**



## 15 DEVICE CONFIGURATION AND ORDERING INFORMATION

Each device is available for production in ROM versions, in user programmable versions (FLASH) as well as in factory coded versions (FASTROM). FLASH devices are shipped to customers with a default content (FFh), while ROM factory coded parts contain the code supplied by the customer. This implies that FLASH devices have to be configured by the customer using the Option Byte while the ROM devices are factory-configured.

The FASTROM or ROM contents are to be sent on diskette, or by electronic means, with the hexadecimal file in .S19 format generated by the development tool. All unused bytes must be set to FFh.

The selected options are communicated to STMicroelectronics using the correctly completed OPTION LIST appended.

The STMicroelectronics Sales Organization will be pleased to provide detailed information on contractual points.

### 15.1 OPTION BYTE

The Option Byte allows the hardware configuration of the microcontroller to be selected.

The Option Byte has no address in the memory map and can be accessed only in programming mode using a standard ST7 programming tool. The default contents of the FLASH is fixed to FFh. This means that all the options have "1" as their default value.

In ROM devices, the Option Byte is fixed in hardware by the ROM code.

#### OPTION BYTE

|    |    |           |            |     |    |              |           |
|----|----|-----------|------------|-----|----|--------------|-----------|
| 7  |    |           |            |     |    |              | 0         |
| -- | -- | WDG<br>SW | WD<br>HALT | LVD | -- | OSC<br>24/12 | FMP_<br>R |

OPT 7:6 = Reserved.

OPT 5 = **WDGSW** *Hardware or Software Watchdog*

This option bit selects the watchdog type.

0: Hardware enabled

1: Software enabled

OPT 4 = **WDHALT** *Watchdog and HALT mode*

This option bit determines if a RESET is generated when entering HALT mode while the Watchdog is active.

0: No Reset generation when entering Halt mode

1: Reset generation when entering Halt mode

OPT 3 = **LVD** *Low Voltage Detector selection*

This option bit selects the LVD.

0: LVD enabled

1: LVD disabled

OPT 2 = Reserved.

OPT 1 = **OSC24/12** *Oscillator Selection*

This option bit selects the clock divider used to drive the USB interface at 6MHz.

0: 24 MHz oscillator

1: 12 Mhz oscillator

OPT 0 = **FMP\_R** *Flash memory read-out protection*

This option indicates if the user flash memory is protected against read-out piracy. This protection is based on a read and write protection of the memory in test modes and IAP. Erasing the option bytes when the FMP\_R option is selected, causes the whole user memory to be erased first.

0: Read-out protection enabled

1: Read-out protection disabled

## 15.2 DEVICE ORDERING INFORMATION

Table 26. Supported Part Numbers

| Sales Type <sup>1)</sup> | Program Memory (bytes) | RAM (bytes) | Package |
|--------------------------|------------------------|-------------|---------|
| ST72F63BK4M1             | 16K Flash              | 512         | SO34    |
| ST72F63BK4B1             | 16K Flash              |             | PSDIP32 |
| ST72F63BK2M1             | 8K Flash               | 384         | SO34    |
| ST72F63BK2B1             | 8K Flash               |             | PSDIP32 |
| ST72F63BK1M1             | 4K Flash               |             | SO34    |
| ST72F63BK1B1             | 4K Flash               |             | PSDIP32 |
| ST7263BK2M1/xxx          | 8K ROM                 |             | SO34    |
| ST7263BK2B1/xxx          | 8K ROM                 |             | PSDIP32 |
| ST7263BK1M1/xxx          | 4K ROM                 |             | SO34    |
| ST7263BK1B1/xxx          | 4K ROM                 |             | PSDIP32 |
| ST72P63BK4M1             | 16K FASTROM            | 512         | SO34    |
| ST72P63BK4B1             | 16K FASTROM            |             | PSDIP32 |
| ST72P63BK2M1             | 8K FASTROM             | 384         | SO34    |
| ST72P63BK2B1             | 8K FASTROM             |             | PSDIP32 |
| ST72P63BK1M1             | 4K FASTROM             |             | SO34    |
| ST72P63BK1B1             | 4K FASTROM             |             | PSDIP32 |

**Note:** /xxx stands for the ROM code name assigned by STMicroelectronics.

Contact ST sales office for product availability

### 15.3 DEVELOPMENT TOOLS

STMicroelectronics offers a range of hardware and software development tools for the ST7 microcontroller family. Full details of tools available for the ST7 from third party manufacturers can be obtained from the STMicroelectronics Internet site:  
 → <http://mcu.st.com>.

Tools from these manufacturers include C compilers, emulators and gang programmers.

#### STMicroelectronics Tools

Three types of development tool are offered by ST see [Table 27](#) and [Table 28](#) for more details.

**Table 27. STMicroelectronics Tools Features**

|                              | In-Circuit Emulation  | Programming Capability <sup>1)</sup> | Software Included   |
|------------------------------|---|--------------------------------------|---|
| <b>ST7 Emulator</b>          | Yes, powerful emulation features including trace/logic analyzer | No                                   | ST7 CD ROM with:<br>– ST7 Assembly toolchain<br>– STVD7 powerful Source Level Debugger for Win 3.1, Win 9x and NT |
| <b>ST7 Programming Board</b> | No  | Yes (All packages)                   | – C compiler demo versions<br>– Windows Programming Tools for Win 3.1, Win 9x and NT                              |

**Note:**

1. In-Circuit Programming (ICP) interface for FLASH devices.

**Table 28. Dedicated STMicroelectronics Development Tools**

| Supported Products | Evaluation Board | ST7 Emulator   | ST7 Programming Board      | Active Probe & Target Emulation Board |
|--------------------|------------------|----------------|----------------------------|---------------------------------------|
| ST7263B            | ST7MDTULS-EVAL   | ST7MDTU3-EMU2B | ST7MDTU3-EPB <sup>1)</sup> | ST7MDTU2-DBE2B                        |

**Note:**

1. Add Suffix /EU or /US for the power supply for your region.

## ST7263B MICROCONTROLLER OPTION LIST

Customer: .....

Address: .....

.....

Contact: .....

Phone No: .....

Reference: .....

ROM or FASTROM code must be sent in .S19 format. .Hex extension cannot be processed.

STMicroelectronics references:

Device Type/Memory Size/Package (check only one option):

| ROM DEVICE: | 4K                                   | 8K                                   |
|-------------|--------------------------------------|--------------------------------------|
| PSDIP32:    | <input type="checkbox"/> ST7263BK1B1 | <input type="checkbox"/> ST7263BK2B1 |
| SO34:       | <input type="checkbox"/> ST7263BK1M1 | <input type="checkbox"/> ST7263BK2M1 |

| FASTROM DEVICE: | 4K                                    | 8K                                    | 16K                                   |
|-----------------|---------------------------------------|---------------------------------------|---------------------------------------|
| PSDIP32:        | <input type="checkbox"/> ST72P63BK1B1 | <input type="checkbox"/> ST72P63BK2B1 | <input type="checkbox"/> ST72P63BK4B1 |
| SO34:           | <input type="checkbox"/> ST72P63BK1M1 | <input type="checkbox"/> ST72P63BK2M1 | <input type="checkbox"/> ST72P63BK4M1 |

| DIE FORM: | 4K                                 | 8K                                 | 16K                                |
|-----------|------------------------------------|------------------------------------|------------------------------------|
| 32-pin:   | <input type="checkbox"/> (as K1B1) | <input type="checkbox"/> (as K2B1) | <input type="checkbox"/> (as K4B1) |
| 34-pin:   | <input type="checkbox"/> (as K1M1) | <input type="checkbox"/> (as K2M1) | <input type="checkbox"/> (as K4M1) |

Conditioning (check only one option):

| Packaged Product                                       | Die Product (dice tested at 25°C only)             |
|--|--|
| <input type="checkbox"/> Tape & Reel (SO package only) | <input type="checkbox"/> Tape & Reel               |
| <input type="checkbox"/> Tube                          | <input type="checkbox"/> Inked wafer               |
|  | <input type="checkbox"/> Sawn wafer on sticky foil |

Special Marking ( ROM only):  No  Yes "-----"

Authorized characters are letters, digits, '.', '-', '/' and spaces only.

For marking, one line is possible with a maximum of 13 characters.

Watchdog Selection:  Software activation  Hardware activationHalt when Watchdog on:  Reset  No resetLVD Reset  Disabled  EnabledOscillator Selection:  24 MHz.  12 MHz.Readout Protection:  Disabled  Enabled

Date .....

Signature .....

## 15.4 ST7 APPLICATION NOTES

| IDENTIFICATION              | DESCRIPTION  |
|-----------------------------|--|
| <b>EXAMPLE DRIVERS</b>      |  |
| AN 969                      | SCI COMMUNICATION BETWEEN ST7 AND PC   |
| AN 970                      | SPI COMMUNICATION BETWEEN ST7 AND EEPROM   |
| AN 971                      | I <sup>2</sup> C COMMUNICATING BETWEEN ST7 AND M24CXX EEPROM                         |
| AN 972                      | ST7 SOFTWARE SPI MASTER COMMUNICATION  |
| AN 973                      | SCI SOFTWARE COMMUNICATION WITH A PC USING ST72251 16-BIT TIMER                      |
| AN 974                      | REAL TIME CLOCK WITH ST7 TIMER OUTPUT COMPARE  |
| AN 976                      | DRIVING A BUZZER THROUGH ST7 TIMER PWM FUNCTION                                      |
| AN 979                      | DRIVING AN ANALOG KEYBOARD WITH THE ST7 ADC  |
| AN 980                      | ST7 KEYPAD DECODING TECHNIQUES, IMPLEMENTING WAKE-UP ON KEYSTROKE                    |
| AN1017                      | USING THE ST7 UNIVERSAL SERIAL BUS MICROCONTROLLER                                   |
| AN1041                      | USING ST7 PWM SIGNAL TO GENERATE ANALOG OUTPUT (SINUSOID)                            |
| AN1042                      | ST7 ROUTINE FOR I <sup>2</sup> C SLAVE MODE MANAGEMENT                               |
| AN1044                      | MULTIPLE INTERRUPT SOURCES MANAGEMENT FOR ST7 MCUS                                   |
| AN1045                      | ST7 S/W IMPLEMENTATION OF I <sup>2</sup> C BUS MASTER                                |
| AN1046                      | UART EMULATION SOFTWARE  |
| AN1047                      | MANAGING RECEPTION ERRORS WITH THE ST7 SCI PERIPHERALS                               |
| AN1048                      | ST7 SOFTWARE LCD DRIVER  |
| AN1078                      | PWM DUTY CYCLE SWITCH IMPLEMENTING TRUE 0% & 100% DUTY CYCLE                         |
| AN1082                      | DESCRIPTION OF THE ST72141 MOTOR CONTROL PERIPHERAL REGISTERS                        |
| AN1083                      | ST72141 BLDC MOTOR CONTROL SOFTWARE AND FLOWCHART EXAMPLE                            |
| AN1105                      | ST7 PCAN PERIPHERAL DRIVER   |
| AN1129                      | PERMANENT MAGNET DC MOTOR DRIVE.   |
| AN1130                      | AN INTRODUCTION TO SENSORLESS BRUSHLESS DC MOTOR DRIVE APPLICATIONS WITH THE ST72141 |
| AN1148                      | USING THE ST7263 FOR DESIGNING A USB MOUSE   |
| AN1149                      | HANDLING SUSPEND MODE ON A USB MOUSE   |
| AN1180                      | USING THE ST7263 KIT TO IMPLEMENT A USB GAME PAD                                     |
| AN1276                      | BLDC MOTOR START ROUTINE FOR THE ST72141 MICROCONTROLLER                             |
| AN1321                      | USING THE ST72141 MOTOR CONTROL MCU IN SENSOR MODE                                   |
| AN1325                      | USING THE ST7 USB LOW-SPEED FIRMWARE V4.X  |
| AN1445                      | USING THE ST7 SPI TO EMULATE A 16-BIT SLAVE  |
| AN1475                      | DEVELOPING AN ST7265X MASS STORAGE APPLICATION                                       |
| AN1504                      | STARTING A PWM SIGNAL DIRECTLY AT HIGH LEVEL USING THE ST7 16-BIT TIMER              |
| <b>PRODUCT EVALUATION</b>   |  |
| AN 910                      | PERFORMANCE BENCHMARKING   |
| AN 990                      | ST7 BENEFITS VERSUS INDUSTRY STANDARD  |
| AN1077                      | OVERVIEW OF ENHANCED CAN CONTROLLERS FOR ST7 AND ST9 MCUS                            |
| AN1086                      | U435 CAN-DO SOLUTIONS FOR CAR MULTIPLEXING   |
| AN1150                      | BENCHMARK ST72 VS PC16   |
| AN1151                      | PERFORMANCE COMPARISON BETWEEN ST72254 & PC16F876                                    |
| AN1278                      | LIN (LOCAL INTERCONNECT NETWORK) SOLUTIONS   |
| <b>PRODUCT MIGRATION</b>    |  |
| AN1131                      | MIGRATING APPLICATIONS FROM ST72511/311/214/124 TO ST72521/321/324                   |
| AN1322                      | MIGRATING AN APPLICATION FROM ST7263 REV.B TO ST7263B                                |
| AN1365                      | GUIDELINES FOR MIGRATING ST72C254 APPLICATION TO ST72F264                            |
| <b>PRODUCT OPTIMIZATION</b> |  |



| <b>IDENTIFICATION</b>        | <b>DESCRIPTION</b>  |
|------------------------------|---|
| AN 982                       | USING ST7 WITH CERAMIC RESONATOR  |
| AN1014                       | HOW TO MINIMIZE THE ST7 POWER CONSUMPTION                                       |
| AN1015                       | SOFTWARE TECHNIQUES FOR IMPROVING MICROCONTROLLER EMC PERFORMANCE               |
| AN1040                       | MONITORING THE VBUS SIGNAL FOR USB SELF-POWERED DEVICES                         |
| AN1070                       | ST7 CHECKSUM SELF-CHECKING CAPABILITY   |
| AN1324                       | CALIBRATING THE RC OSCILLATOR OF THE ST7FLITE0 MCU USING THE MAINS              |
| AN1477                       | EMULATED DATA EEPROM WITH XFLASH MEMORY   |
| AN1502                       | EMULATED DATA EEPROM WITH ST7 HDFLASH MEMORY                                    |
| AN1529                       | EXTENDING THE CURRENT & VOLTAGE CAPABILITY ON THE ST7265 VDDF SUPPLY            |
| AN1530                       | ACCURATE TIMEBASE FOR LOW-COST ST7 APPLICATIONS WITH INTERNAL RC OSCILLATOR     |
| <b>PROGRAMMING AND TOOLS</b> |   |
| AN 978                       | KEY FEATURES OF THE STVD7 ST7 VISUAL DEBUG PACKAGE                              |
| AN 983                       | KEY FEATURES OF THE COSMIC ST7 C-COMPILER PACKAGE                               |
| AN 985                       | EXECUTING CODE IN ST7 RAM   |
| AN 986                       | USING THE INDIRECT ADDRESSING MODE WITH ST7                                     |
| AN 987                       | ST7 SERIAL TEST CONTROLLER PROGRAMMING  |
| AN 988                       | STARTING WITH ST7 ASSEMBLY TOOL CHAIN   |
| AN 989                       | GETTING STARTED WITH THE ST7 HIWARE C TOOLCHAIN                                 |
| AN1039                       | ST7 MATH UTILITY ROUTINES   |
| AN1064                       | WRITING OPTIMIZED HIWARE C LANGUAGE FOR ST7                                     |
| AN1071                       | HALF DUPLEX USB-TO-SERIAL BRIDGE USING THE ST72611 USB MICROCONTROLLER          |
| AN1106                       | TRANSLATING ASSEMBLY CODE FROM HC05 TO ST7                                      |
| AN1179                       | PROGRAMMING ST7 FLASH MICROCONTROLLERS IN REMOTE ISP MODE (IN-SITU PROGRAMMING) |
| AN1446                       | USING THE ST72521 EMULATOR TO DEBUG A ST72324 TARGET APPLICATION                |
| AN1478                       | PORTING AN ST7 PANTA PROJECT TO CODEWARRIOR IDE                                 |
| AN1527                       | DEVELOPING A USB SMARTCARD READER WITH ST7SCR                                   |
| AN1575                       | ON-BOARD PROGRAMMING METHODS FOR XFLASH AND HDFLASH ST7 MCUS                    |

## **16 IMPORTANT NOTES**

### **16.1 UNEXPECTED RESET FETCH**

If an interrupt request occurs while a "POP CC" instruction is executed, the interrupt controller does not recognise the source of the interrupt and, by default, passes the RESET vector address to the CPU.

#### **Workaround**

To solve this issue, a "POP CC" instruction must always be preceded by a "SIM" instruction.

### **16.2 HALT MODE POWER CONSUMPTION WITH ADC ON**

If the A/D converter is being used when Halt mode is entered, the power consumption in Halt Mode may exceed the maximum specified in the datash-eet.

#### **Workaround**

Switch off the ADC by software (ADON=0) before executing a HALT instruction.

## 17 SUMMARY OF CHANGES

Description of the changes between the current release of the specification and the previous one.

| Revision | Main Changes  | Date     |
|----------|---|----------|
| 1.5      | Modified option list on <a href="#">page 127</a> (removed 16K for ROM devices)<br>Changed title of <a href="#">section 16 on page 130</a><br><br><b>Please read carefully the Section “IMPORTANT NOTES” on page 130</b> | April 03 |

## Notes:

Information furnished is believed to be accurate and reliable. However, STMicroelectronics assumes no responsibility for the consequences of use of such information nor for any infringement of patents or other rights of third parties which may result from its use. No license is granted by implication or otherwise under any patent or patent rights of STMicroelectronics. Specifications mentioned in this publication are subject to change without notice. This publication supersedes and replaces all information previously supplied. STMicroelectronics products are not authorized for use as critical components in life support devices or systems without the express written approval of STMicroelectronics.

The ST logo is a registered trademark of STMicroelectronics

©2003 STMicroelectronics - All Rights Reserved.

Purchase of I<sup>2</sup>C Components by STMicroelectronics conveys a license under the Philips I<sup>2</sup>C Patent. Rights to use these components in an I<sup>2</sup>C system is granted provided that the system conforms to the I<sup>2</sup>C Standard Specification as defined by Philips.

STMicroelectronics Group of Companies

Australia - Brazil - Canada - China - Finland - France - Germany - Hong Kong - India - Israel - Italy - Japan  
Malaysia - Malta - Morocco - Singapore - Spain - Sweden - Switzerland - United Kingdom - U.S.A.

<http://www.st.com>