



Micro USB 5P Standard Type



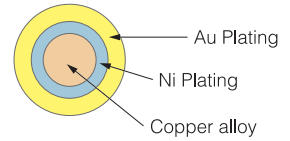
Materials / Finishes

- Insulator : Thermo Plastic
- Shell (cover) : Stainless Steel / Ni Plating
- Plate : Stainless Steel
- Contact : Copper Alloy / Au over Ni Plating

› Mechanical Features

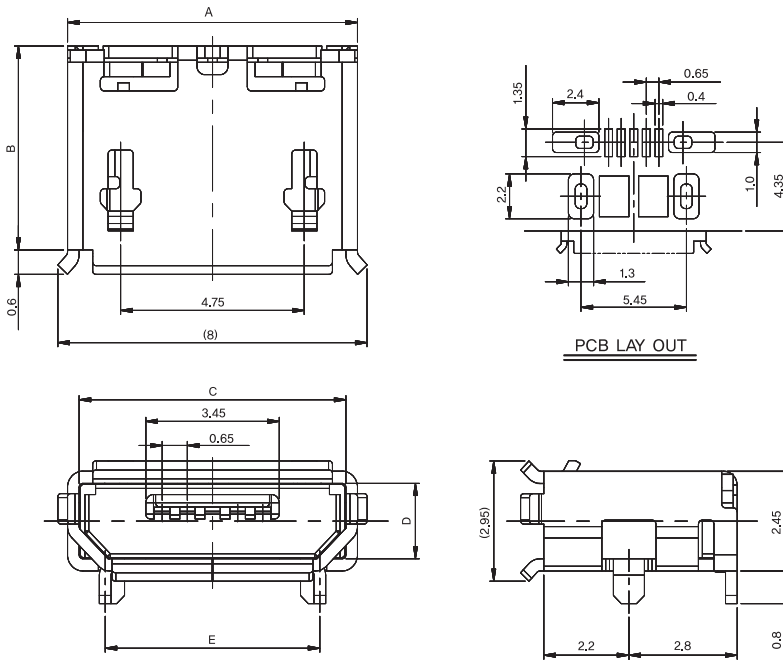
- Mating force : 0.2~2.5Kgf
- Un-mating force : 0.8~2.0Kgf

Contact terminal finish



Applications

- Mobile
- Others



› Dimensions & No. of Contacts

Number of Contacts	Part Number	Dimensions					Q'ty/ Outbox
		A	B	C	D	E	
5	FW06501-05	7.50	5.00	6.90	1.85	5.55	10,000EA

▪ Packing Specification

Reel Packing

